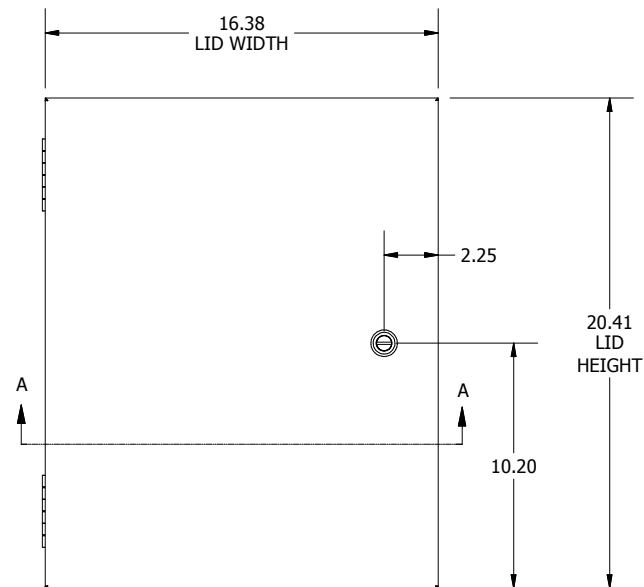
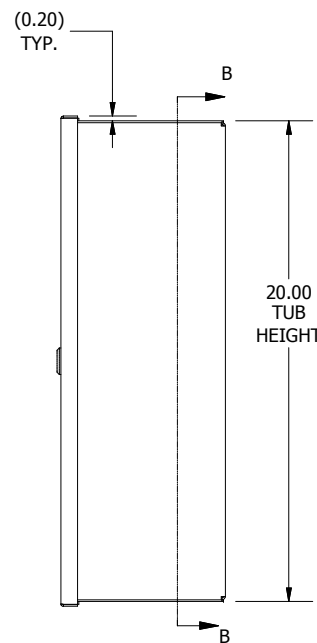


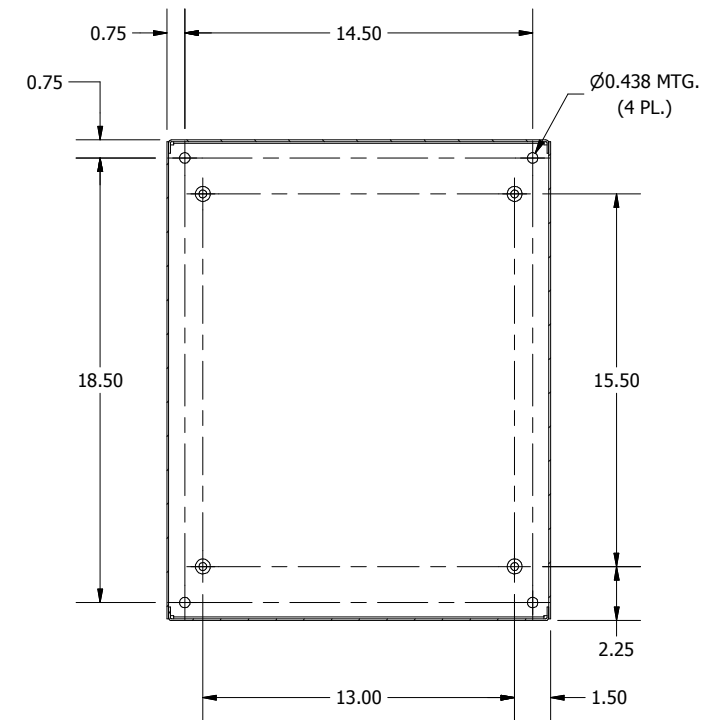
**TOP VIEW**



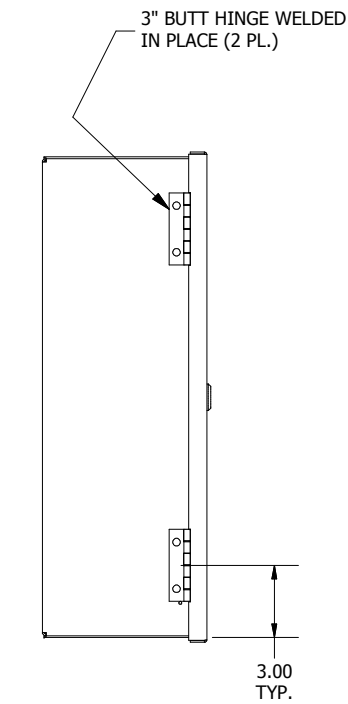
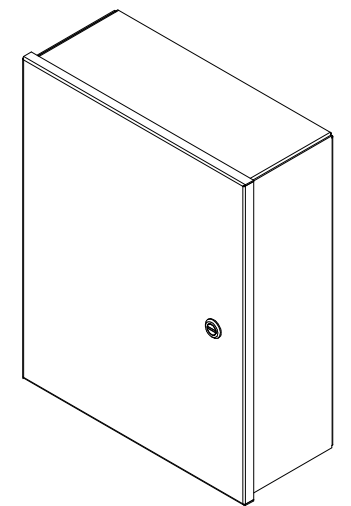
**FRONT VIEW**



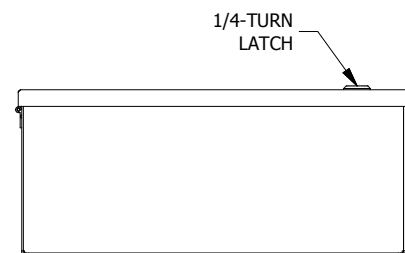
**RIGHT SIDE VIEW**



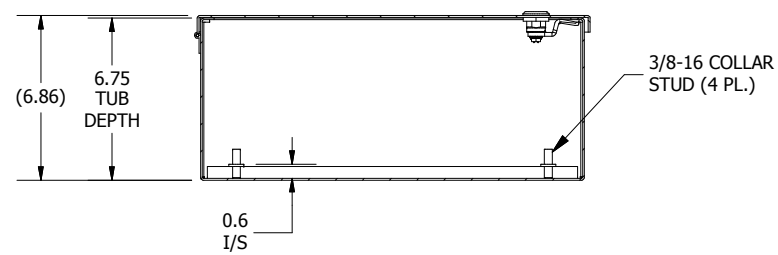
**SECTION B-B  
(INSIDE BACK OF ENCL.)**



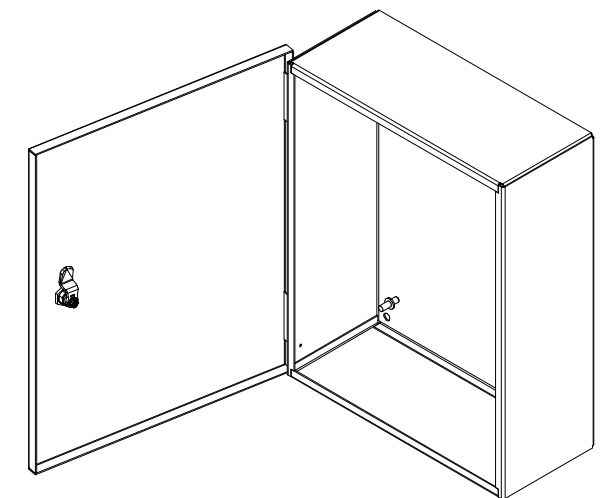
**LEFT SIDE VIEW**



**BOTTOM VIEW**



**SECTION A-A  
(INSIDE TOP OF ENCL.)**



**PART#: HWDN1C162006LP  
(DATA SUBJECT TO CHANGE WITHOUT NOTICE)**

THIS DRAWING IS PROPERTY OF HUBBELL INC. WIEGMANN  
ALL INFORMATION IS PROPRIETARY AND NOT TO BE DUPLICATED