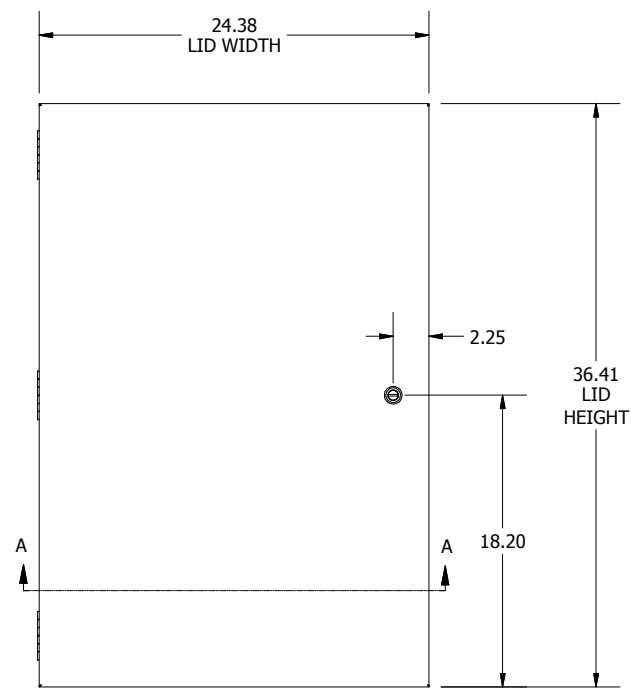
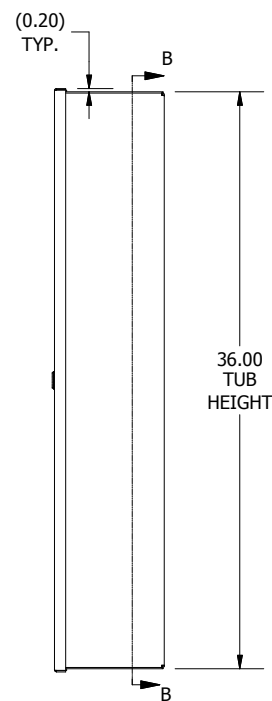


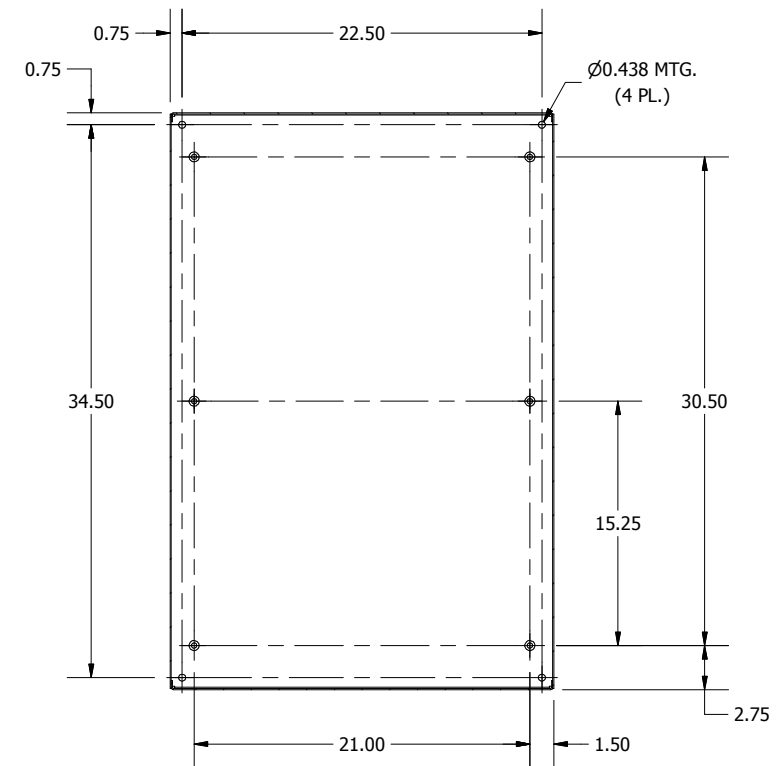
TOP VIEW



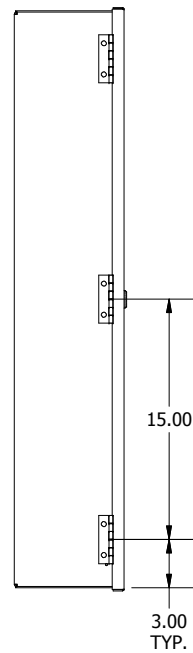
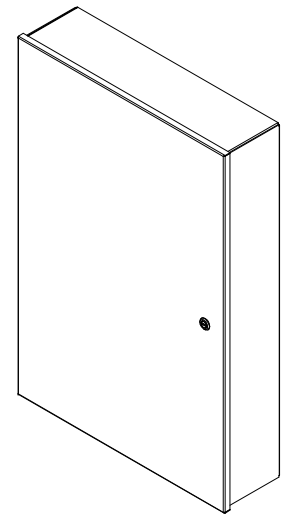
FRONT VIEW



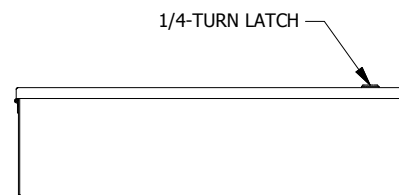
RIGHT SIDE VIEW



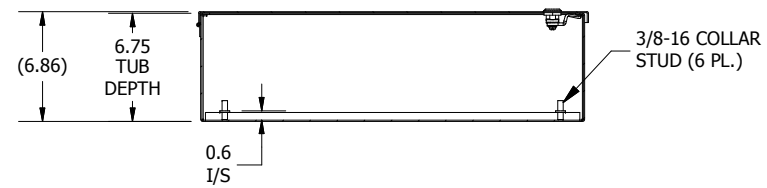
SECTION B-B  
(INSIDE BACK OF ENCL.)



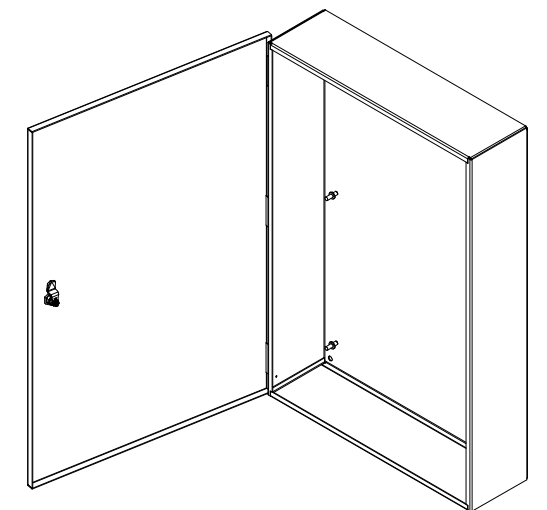
LEFT SIDE VIEW



BOTTOM VIEW



SECTION A-A  
(INSIDE TOP OF ENCL.)



**PART#: HWDN1C243606LP**  
**(DATA SUBJECT TO CHANGE WITHOUT NOTICE)**

THIS DRAWING IS PROPERTY OF HUBBELL INC. WIEGMANN  
ALL INFORMATION IS PROPRIETARY AND NOT TO BE DUPLICATED