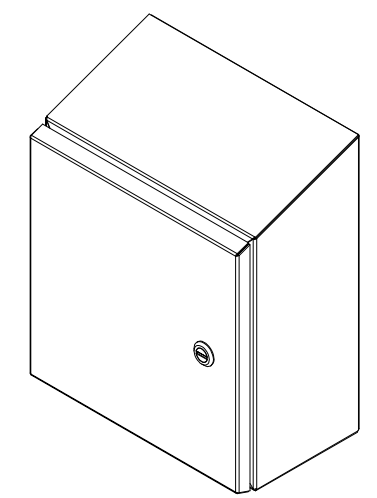
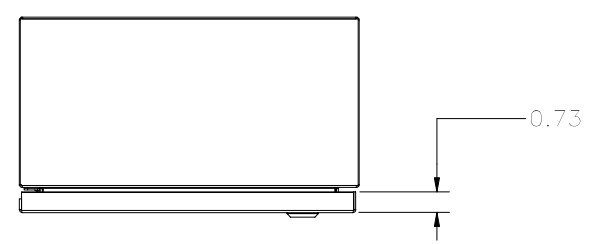


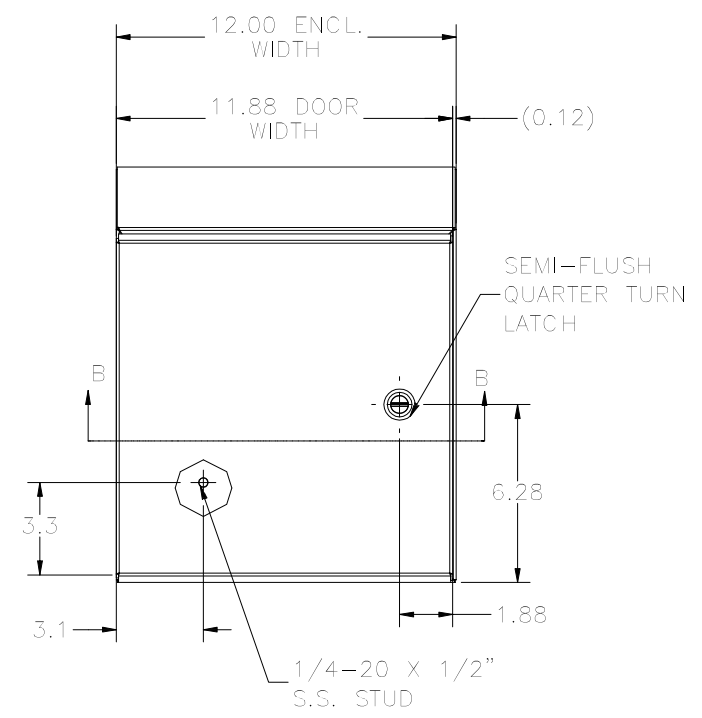
REF. VIEW
(DOOR OPEN)



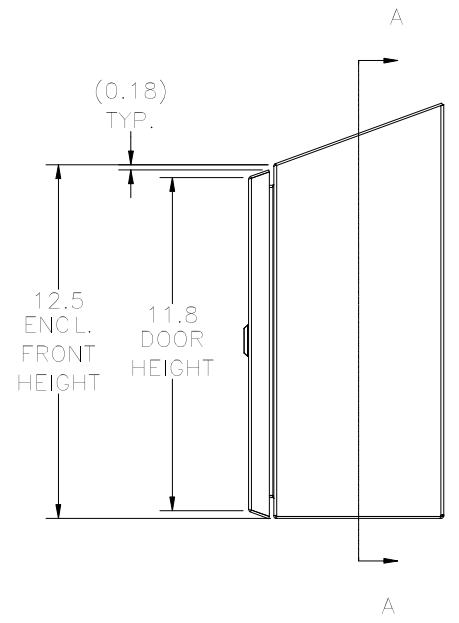
REF. VIEW
(DOOR CLOSED)



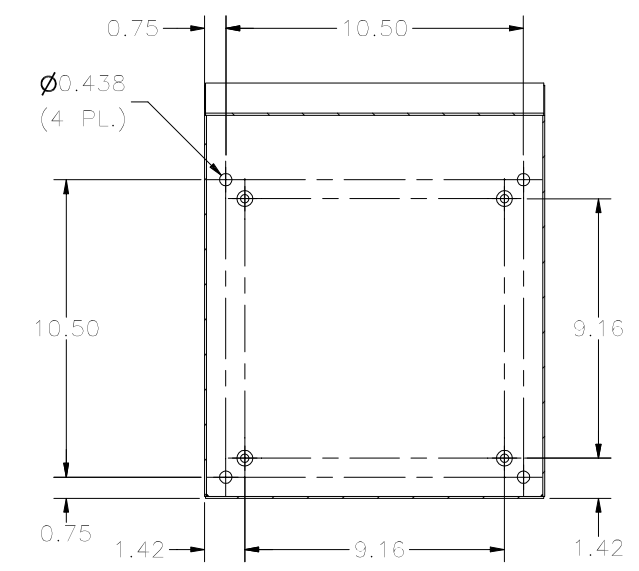
TOP VIEW



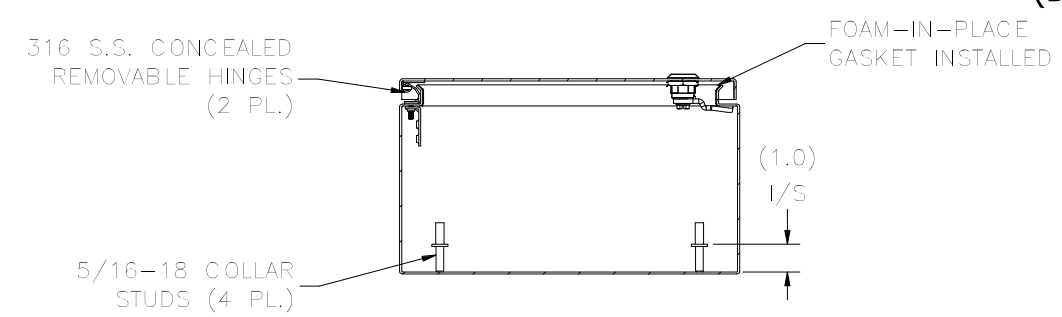
FRONT VIEW



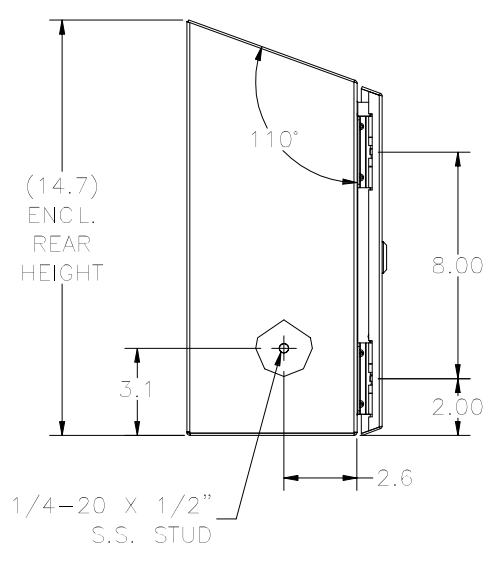
RIGHT SIDE VIEW



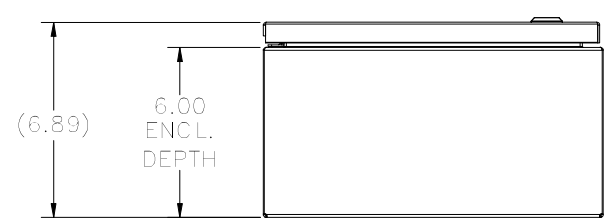
SECTION A-A VIEW
(INSIDE BACK OF ENCL.)



SECTION B-B VIEW
(INSIDE TOP OF ENCL.)



LEFT SIDE VIEW



BOTTOM VIEW

PART#: N412121206C ST
(DATA SUBJECT TO CHANGE WITHOUT NOTICE)

THIS DRAWING IS PROPERTY OF HUBBELL INC. WIEGMANN
ALL INFORMATION IS PROPRIETARY AND NOT TO BE DUPLICATED