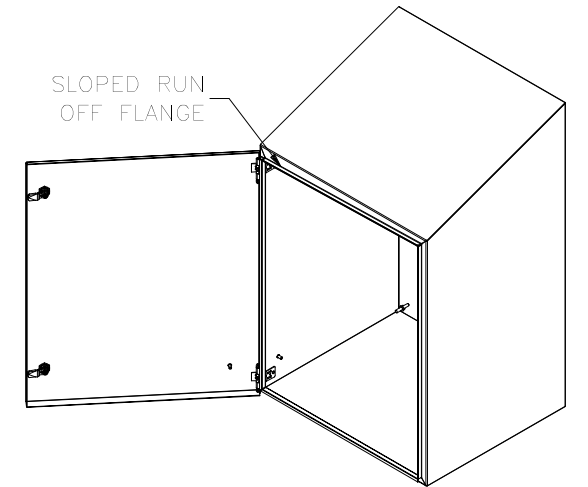
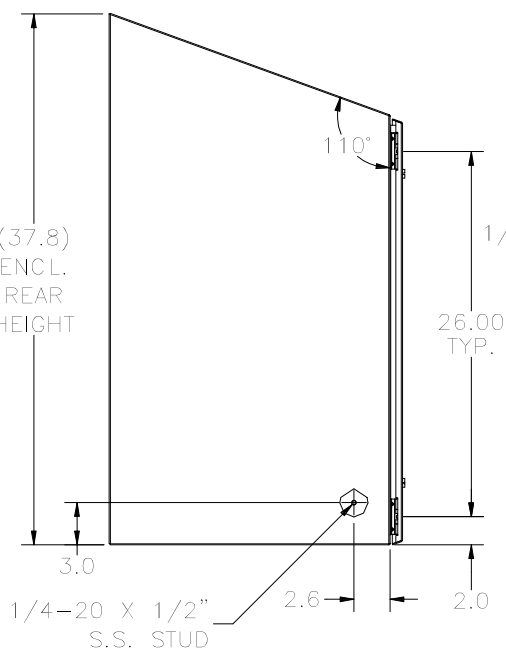


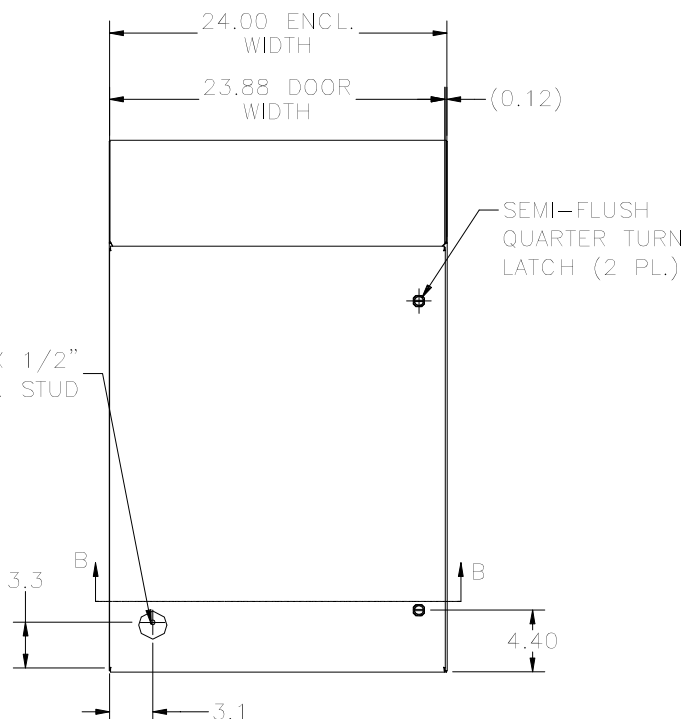
**TOP VIEW**



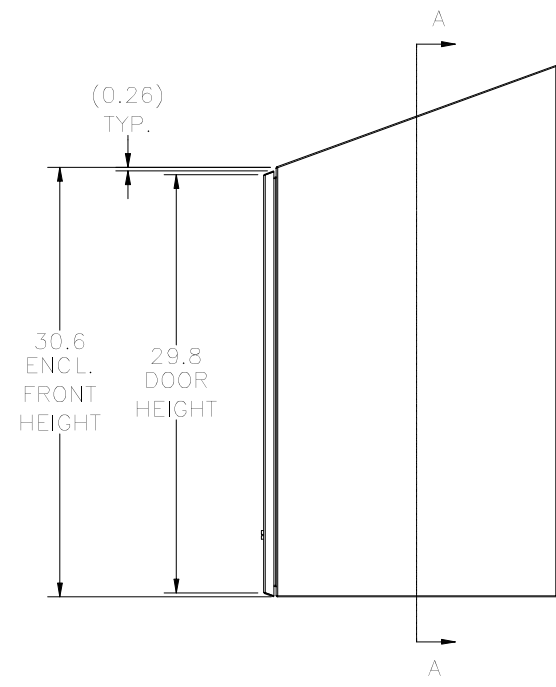
**REF. VIEW (DOOR OPEN)**



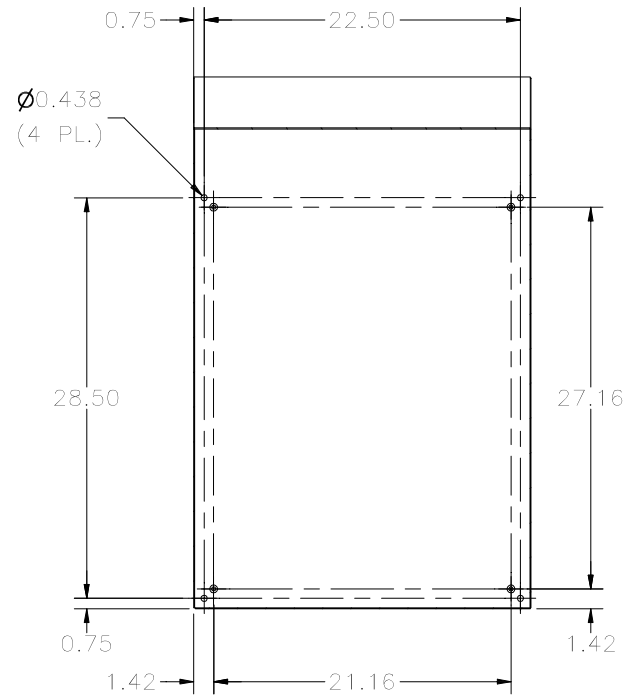
**LEFT SIDE VIEW**



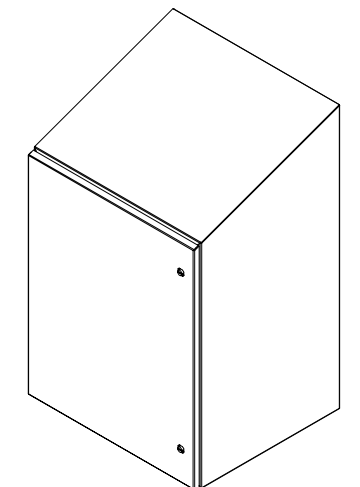
**FRONT VIEW**



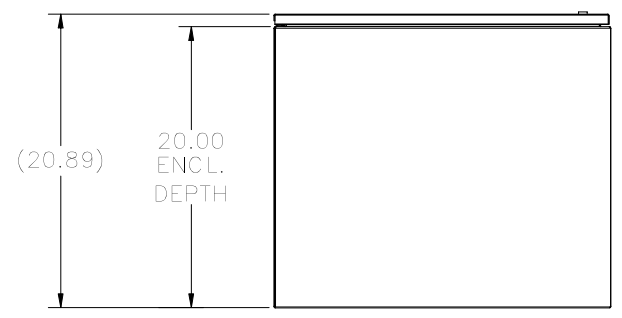
**RIGHT SIDE VIEW**



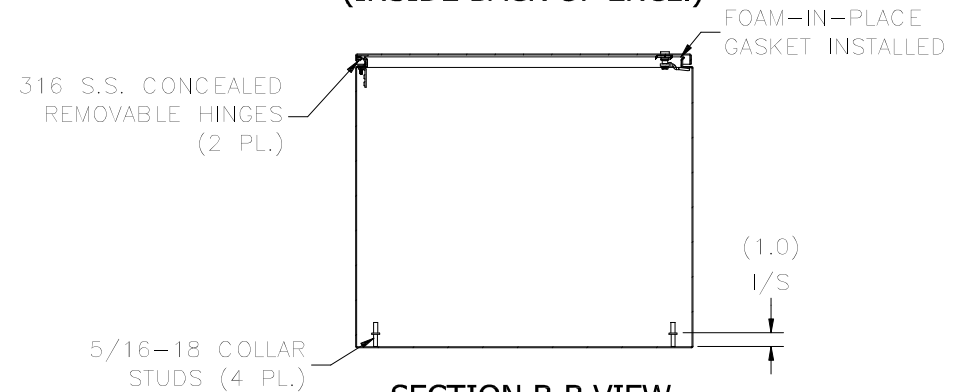
**SECTION A-A VIEW (INSIDE BACK OF ENCL.)**



**REF. VIEW (DOOR CLOSED)**



**BOTTOM VIEW**



**SECTION B-B VIEW (INSIDE TOP OF ENCL.)**

PART#: N412302420C ST  
 (DATA SUBJECT TO CHANGE WITHOUT NOTICE)