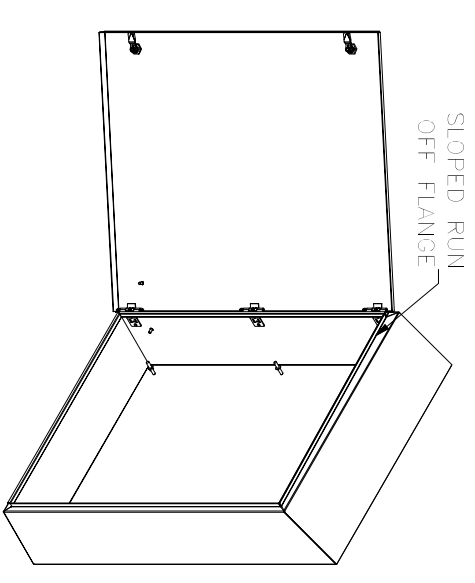
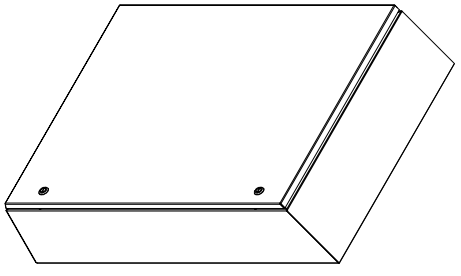


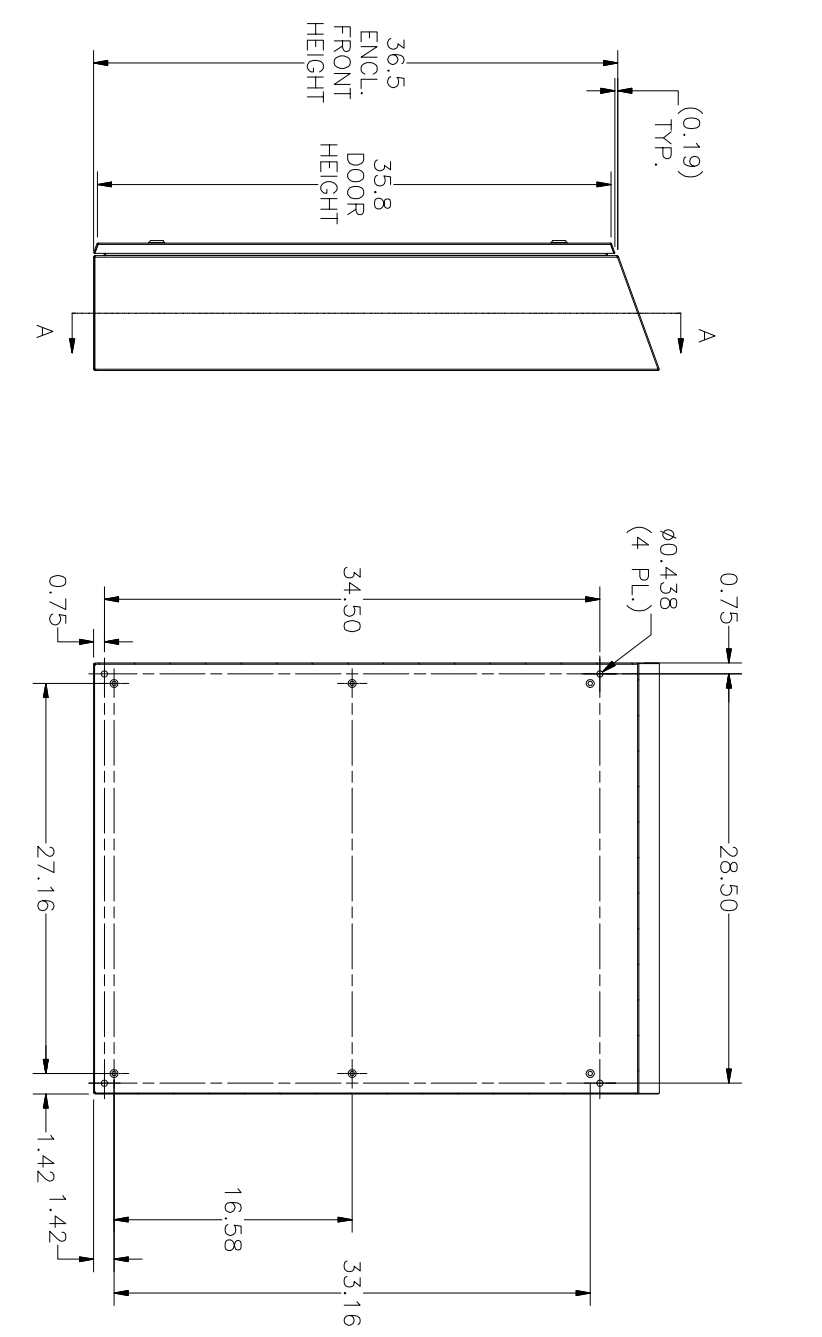
TOP VIEW



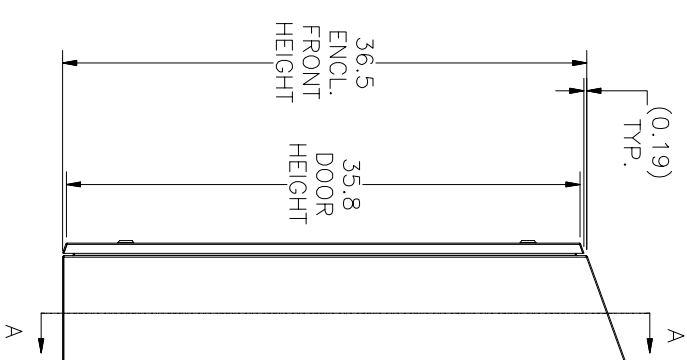
**REF. VIEW
(DOOR OPEN)**



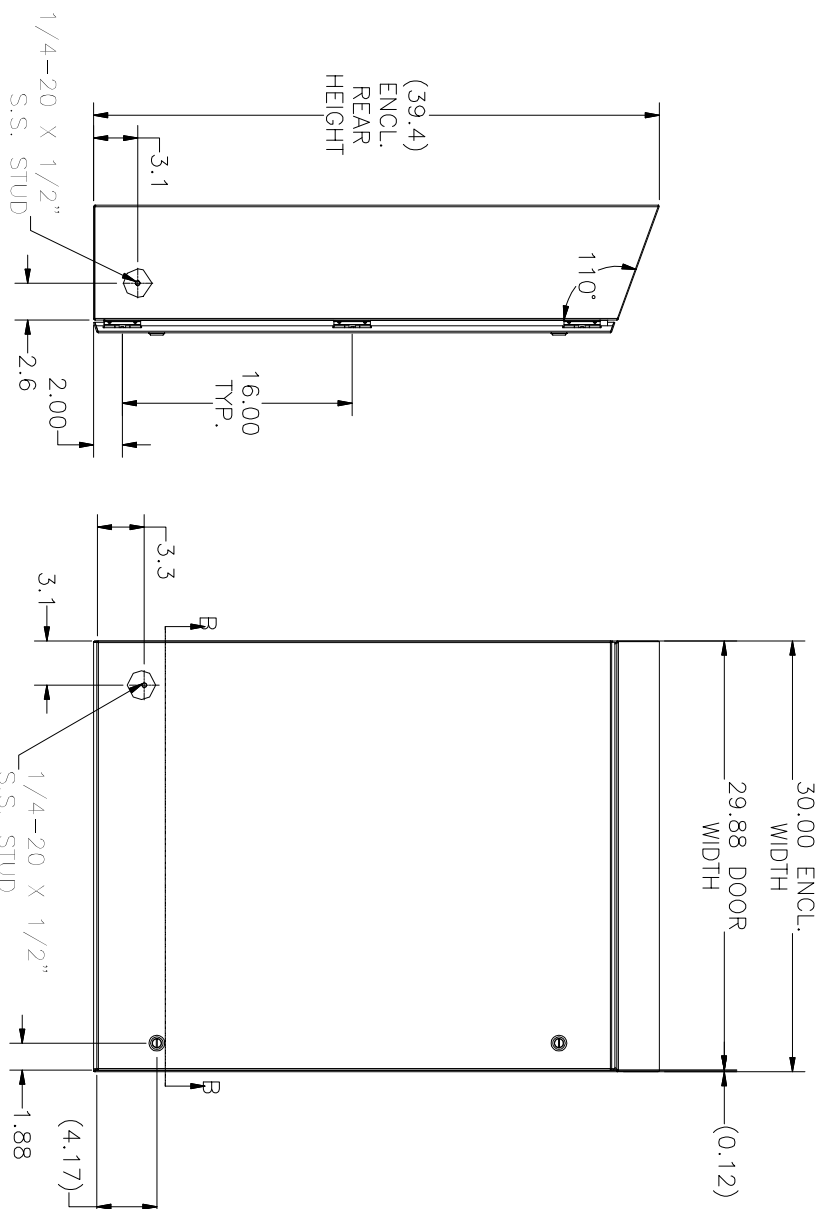
**REF. VIEW
(DOOR CLOSED)**



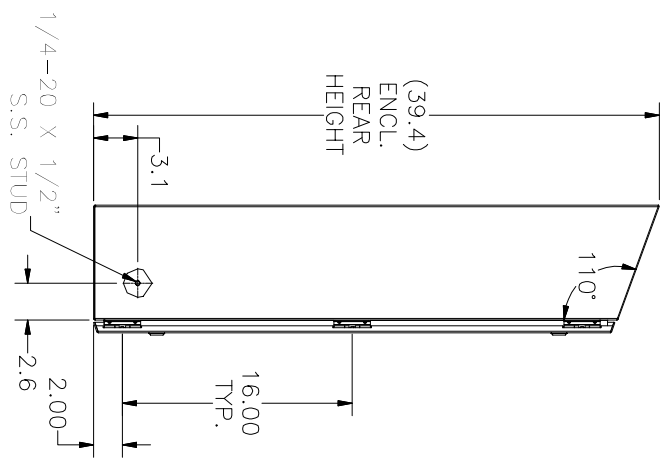
**SECTION A-A VIEW
(INSIDE BACK OF ENCL.)**



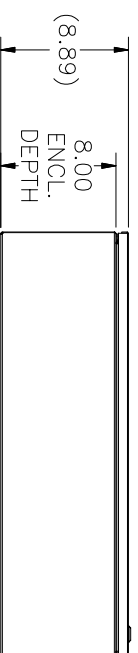
RIGHT SIDE VIEW



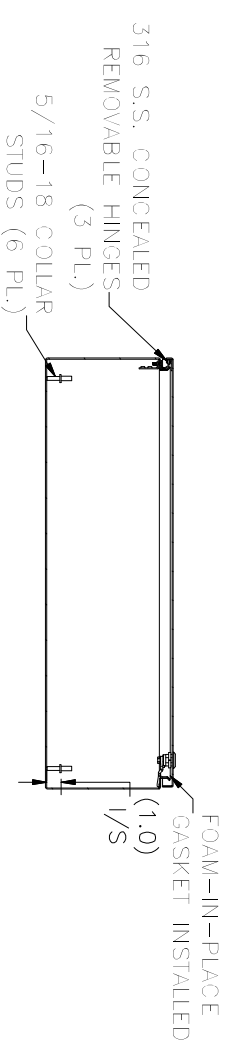
FRONT VIEW



LEFT SIDE VIEW



BOTTOM VIEW



**SECTION B-B VIEW
(INSIDE TOP OF ENCL.)**

PART#: N412363008C SSST
(DATA SUBJECT TO CHANGE WITHOUT NOTICE)

THIS DRAWING IS PROPERTY OF HUBBELL INC. WIEGMANN
ALL INFORMATION IS PROPRIETARY AND NOT TO BE DUPLICATED