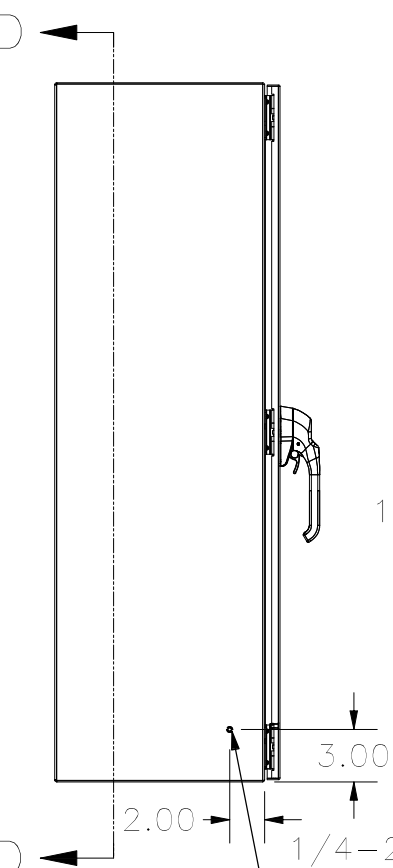
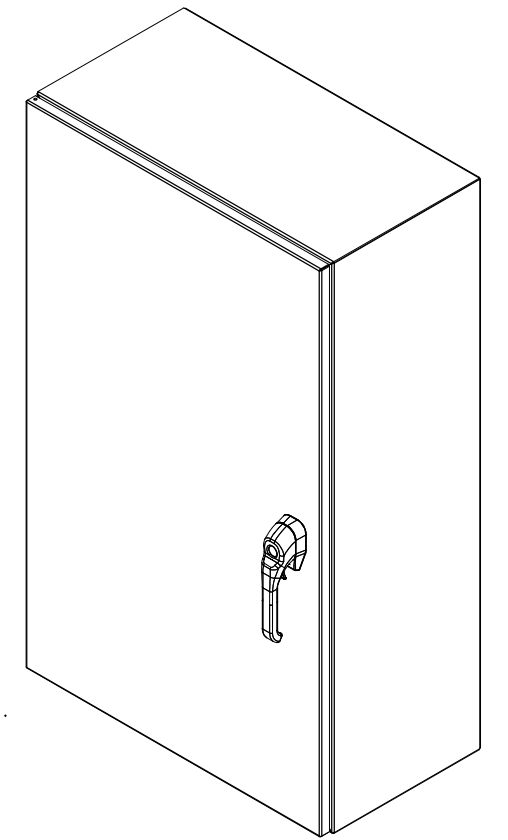
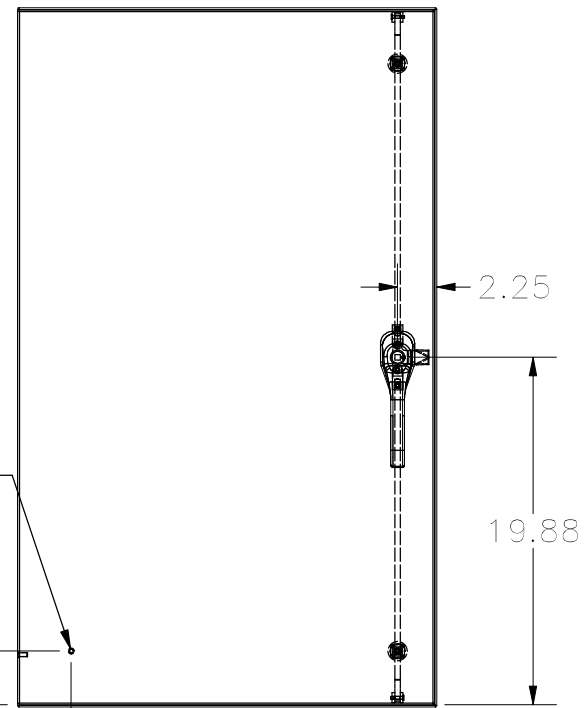


TOP VIEW

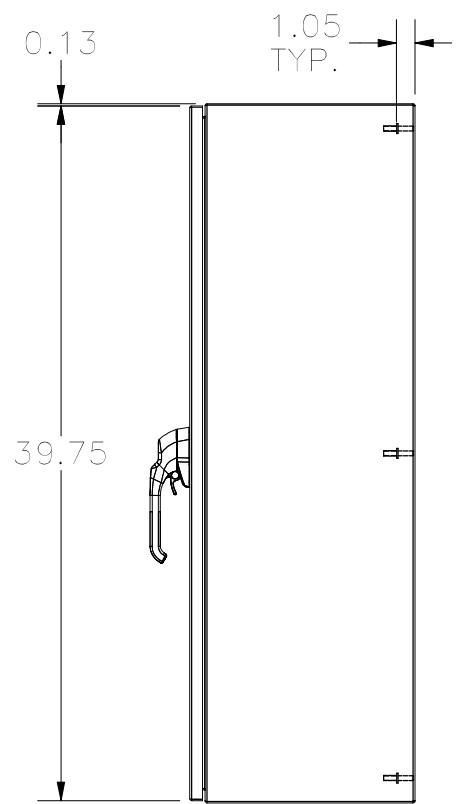


LEFT SIDE VIEW

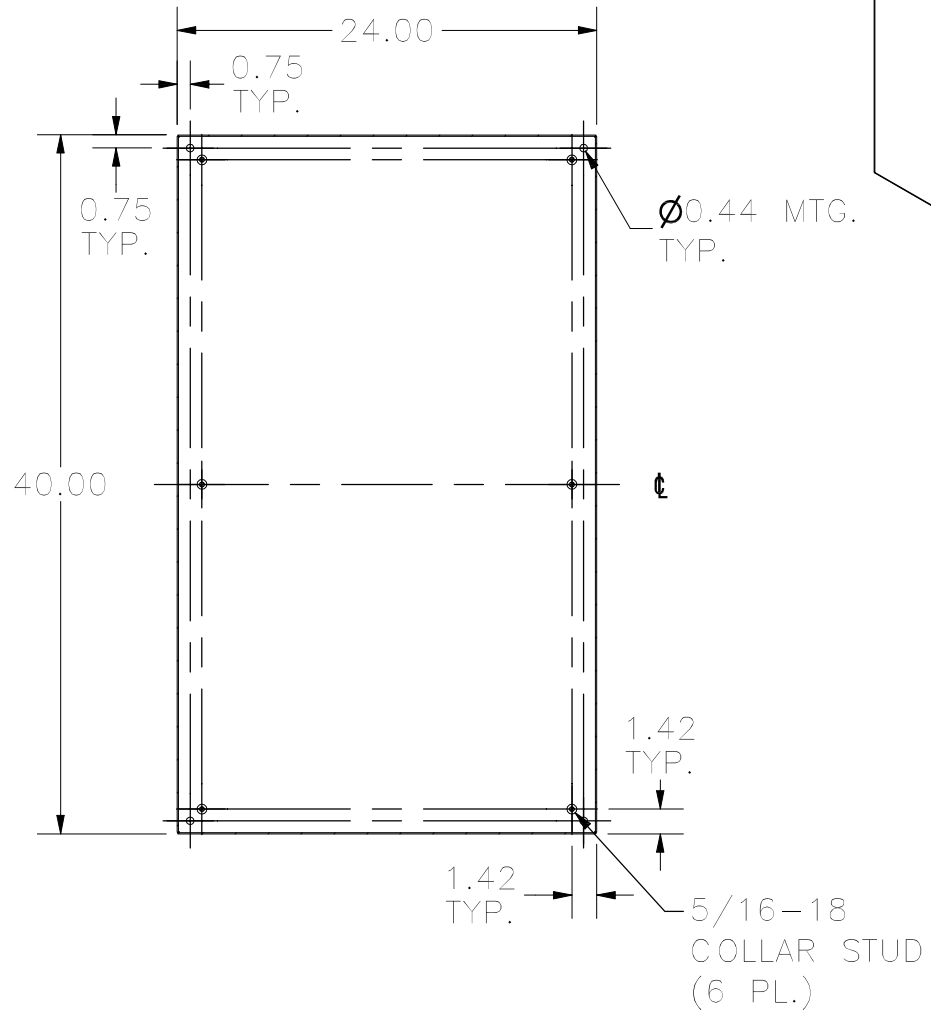
1/4-20 X 1/2"
S.S. GROUND
STUD



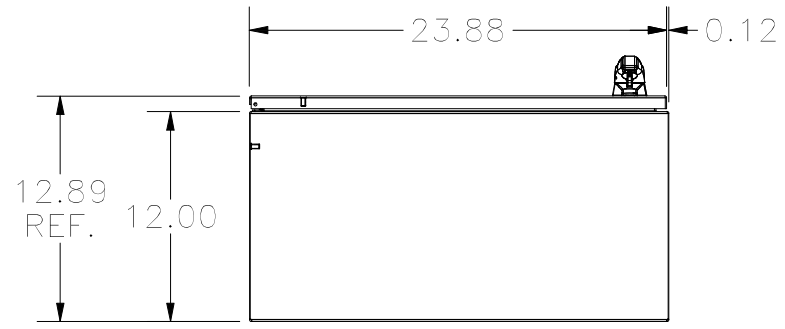
FRONT VIEW



RIGHT SIDE VIEW



SECTION D-D VIEW
(INSIDE BACK OF ENCLOSURE)



BOTTOM VIEW

PART#: N4124024123PTC
(DATA SUBJECT TO CHANGE WITHOUT NOTICE)

THIS DRAWING IS PROPERTY OF HUBBELL INC. WIEGMANN
ALL INFORMATION IS PROPRIETARY AND NOT TO BE DUPLICATED