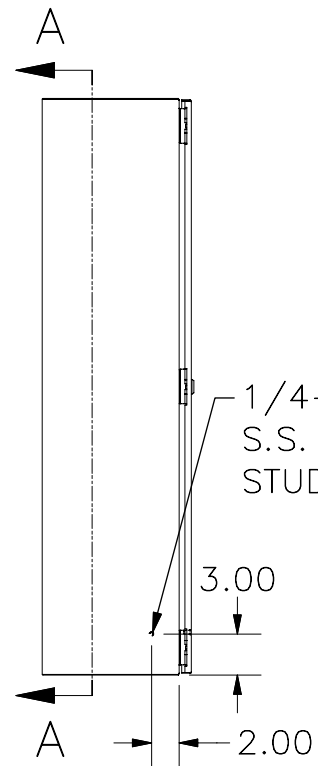
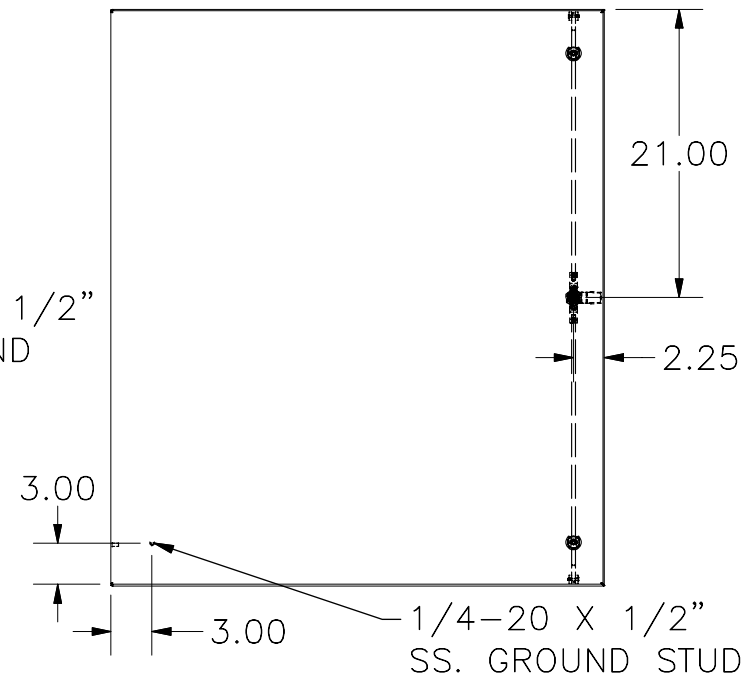


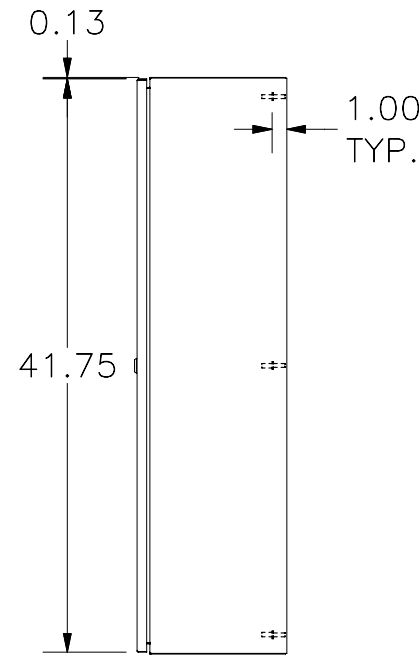
TOP VIEW



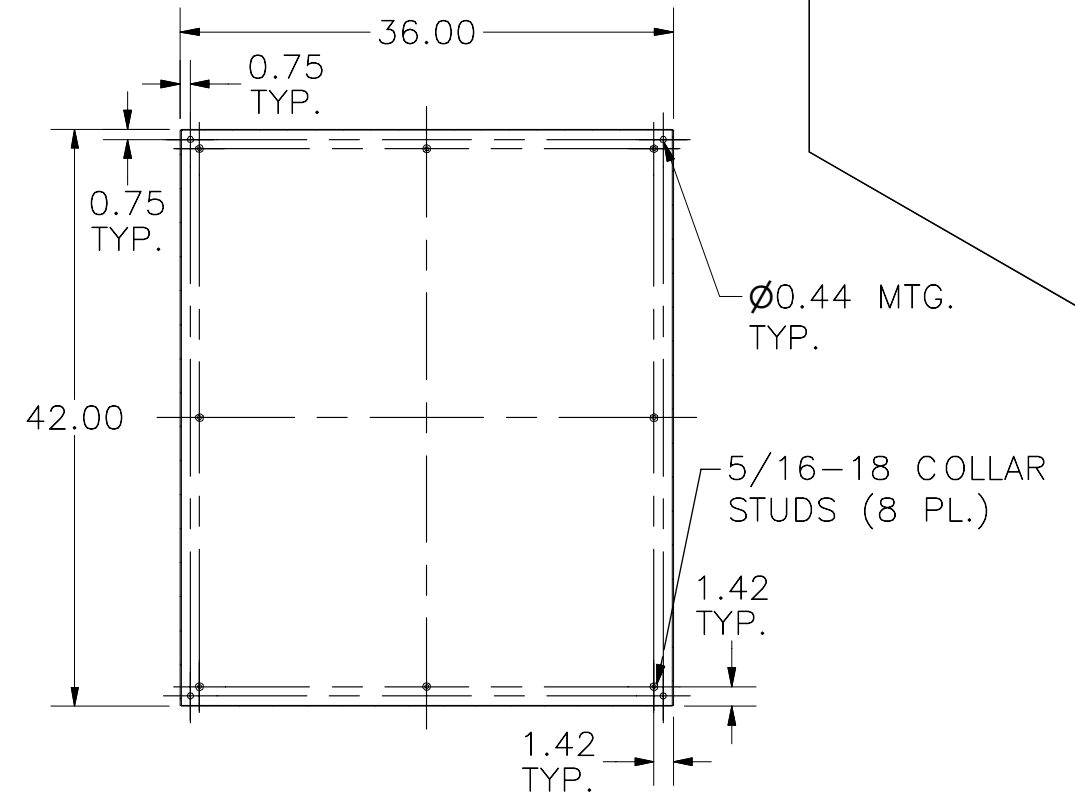
LEFT SIDE VIEW



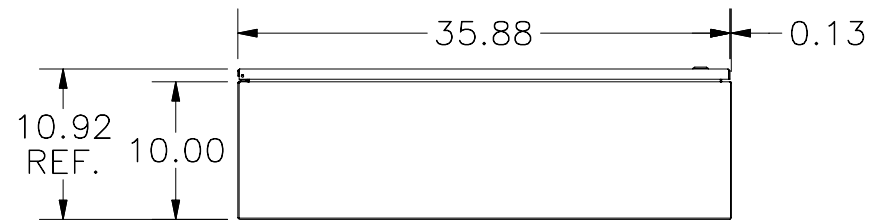
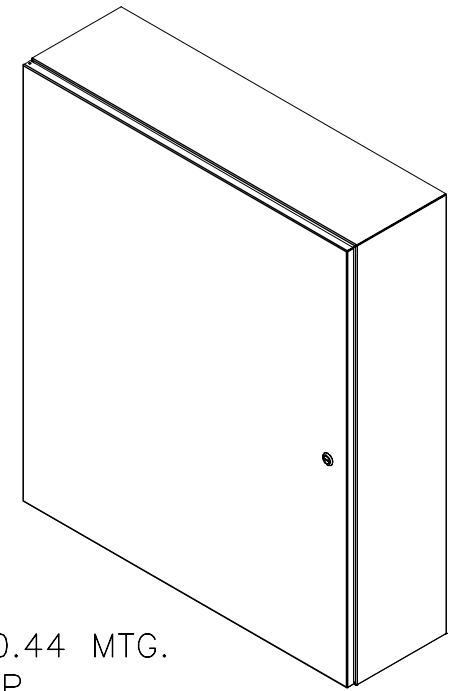
FRONT VIEW



RIGHT SIDE VIEW



SECTION A-A



BOTTOM VIEW

PART#: N412423610CLG
 (DATA SUBJECT TO CHANGE WITHOUT NOTICE)