

# Section I Index

<b>P, PG, PSS, PAL Series</b> Panels for JIC Enclosures .....I2	<b>NPDD, NPDDG Series</b> Panels (Solid & Perforated) for Double Door Floor-Mount Enclosures .....I7	<b>WA-SMP Series</b> Side-Mount Panels for Freestanding Enclosures .....I11
<b>N1P, N1PPP Series</b> Panels (Solid & Perforated) for Small NIC & RHC Enclosures .....I3	<b>WA-F1/F2 Series</b> Panels for Single Door Freestanding Enclosures .....I8	<b>WA-SOF Series</b> Swing-Out Racks for Freestanding Enclosures .....I12
<b>NP, NPG, NPSS, ALNP, NPPP Series</b> Panels (Solid & Perforated) for NEMA 1, 3R, 12, 4 & 4X Wall-Mounts .....I4	<b>WA-F1/F2 Series</b> Panels for Two Door Freestanding Enclosures .....I9	<b>WA-SOF Series Rack Angles</b> Accessory Rack Components for Freestanding Enclosures .....I13
<b>NPC, NPCG, NPSSC Series</b> Panels for ULTIMATE Enclosures .....I5	<b>WASP-F3/F4 Series</b> Swing-Out Panels for Freestanding Enclosures .....I10	
<b>N1P, N1PPP Series</b> Panels for Large NIC & RHC Enclosures ...I6		

## BACK PANELS





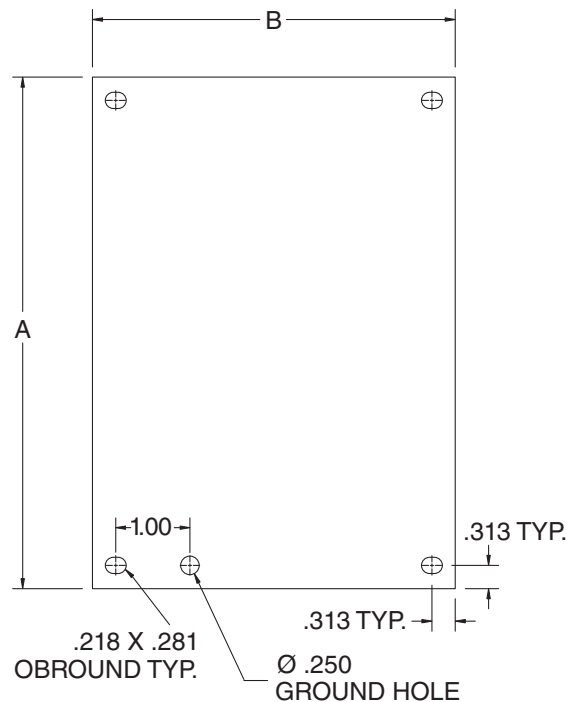
P0808

**FEATURES-SPECIFICATIONS**

**Description**

- 14 gauge (carbon, galvanized and stainless)
- White polyester powder finish on steel panels
- Optional “G” panels have a conductive finish
- Aluminum panels are 5052-H32 aluminum alloy, .080-inch thick
- Panels fit the following enclosures:
  - B
  - BCH
  - BN4
  - BN4CH
  - BN4SS
  - BN4CHSS
  - BN4AL
  - BN4CHAL

BACK PANELS FOR JIC ENCLOSURES				
PAINTED STEEL (WHITE)	CATALOG NUMBER			PANEL SIZE A X B
	“G”	304 STAINLESS STEEL	ALUMINUM	
P0604	P0604G	P0604SS	P0604AL	4.88x2.88 (124x73)
P0606	P0606G	P0606SS	P0606AL	4.88x4.88 (124x124)
P0806	P0806G	P0806SS	P0806AL	6.88x4.88 (175x124)
P0808	P0808G	—	—	6.88x6.88 (175x175)
P1008	P1008G	P1008SS	P1008AL	8.88x6.88 (226x175)
P1010	P1010G	—	—	8.88x8.88 (226x226)
P1206	P1206G	—	—	10.88x4.88 (276x124)
P1210	P1210G	P1210SS	P1210AL	10.88x8.88 (276x226)
P1212	P1212G	P1212SS	—	10.88x10.88 (276x276)
P1408	P1408G	—	—	12.88x6.88 (327x175)
P1412	P1412G	P1412SS	P1412AL	12.88x10.88 (327x276)
P1610	P1610G	—	—	14.88x8.88 (378x226)
P1614	P1614G	P1614SS	P1614AL	14.88x12.88 (378x327)



**N1P SERIES BACK PANELS  
ACCESSORY PANELS FOR SMALL NIC & RHC ENCLOSURES**



N1P0606PP



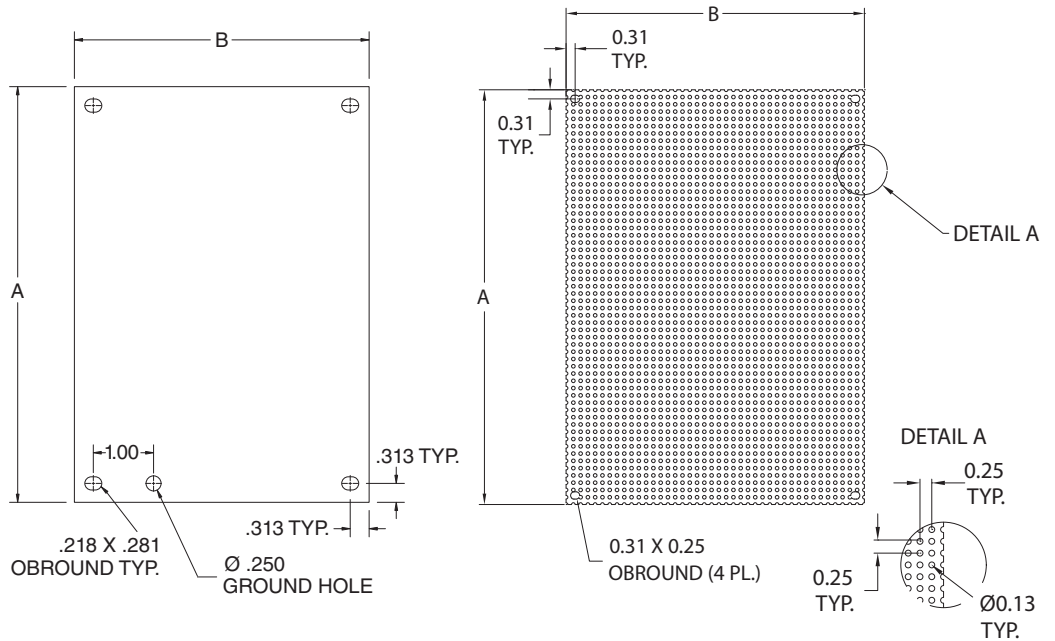
N1P0606

**FEATURES-SPECIFICATIONS**

**Description**

- 14 gauge (non-perforated)
- White polyester powder
- Panels fit the following enclosures:
  - NEMA 1 Small (NIC)
  - NEMA 3R Small (RHC)
  - NEMA 12 WAGIE
- Perforated steel panels are 14 gauge
- Accept self-tapping screws - eliminates the need to measure, mark and drill when mounting components
- Panels are used for mounting lightweight control components

BACK PANELS FOR SMALL NIC & RHC ENCLOSURES		
CATALOG NUMBER		PANEL SIZE A X B
PAINTED	PERFORATED	
N1P0606	N1P0606PP	4.25x4.25 (108x108)
N1P0608	N1P0608PP	6.25x4.25 (159x108)
N1P0808	N1P0808PP	6.25x6.25 (159x159)
N1P0810	N1P0810PP	8.25x6.25 (210x159)
N1P1010	N1P1010PP	8.25x8.25 (210x210)
N1P1012	N1P1012PP	10.25x8.25 (260x210)
N1P1212	N1P1212PP	10.25x10.25 (260x260)
N1P1214	N1P1214PP	12.25x10.25 (311x260)
N1P1216	N1P1216PP	14.25x10.25 (362x260)
N1P1220	N1P1220PP	18.25x10.25 (464x260)



**NP SERIES BACK PANELS  
ACCESSORY PANELS FOR NEMA 1, 3R, 12, 4 & 4X WALL-MOUNTS**



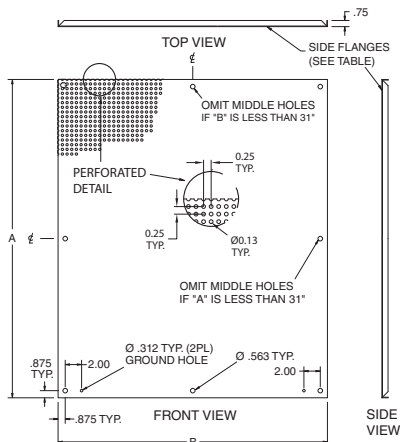
NP1212

**FEATURES-SPECIFICATIONS**

**Description**

- Steel, galvanized and stainless panels are 12 gauge
- Perforated panels are fabricated from 14 gauge
- Aluminum panels are 5052-H32 aluminum alloy, .080-inch thick
- Panel with any side over 17.00" has 3/4" flange on all sides
- Steel panels are painted white polyester powder
- Optional "G" panels have a conductive finish (no paint)
- Panels fit the following enclosures:
  - NEMA 1, Large (NIC)
  - NEMA 3R, Hinge Cover (RHC, Large)
  - NEMA 4, 412, & 4X Single Door (N12, N4, N412, SSN4, SSN43PT, SSN43PTW)
  - NEMA 12, 2-Door Wall-Mount, (WAWF), Single Door
  - Right Flange Disconnect (SDN12, ABN12)
  - Large JIC (B-CH, Large) Single door N12

BACK PANELS FOR NEMA 1, 3R, 12, 4 & 4X WALL-MOUNT ENCLOSURES					
PAINTED STEEL (WHITE)	CATALOG NUMBER				PANEL SIZE A X B
	PERFORATED	"G"	304 STAINLESS STEEL	ALUMINUM	
NP1212	—	NP1212G	—	—	9.00X9.00 (229X229)
NP1224	—	NP1224G	—	—	9.00X21.00 (229X533)
NP1612	NP1612PP	NP1612G	NP1612SS	ALNP1612	13.00X9.00 (330X229)
NP1616	NP1616PP	NP1616G	NP1616SS	ALNP1616	13.00X13.00 (330X330)
NP1620	—	NP1620G	—	—	17.00X13.00 (432X330)
NP2012	—	NP2012G	—	—	17.00X9.00 (432X229)
NP2016	NP2016PP	NP2016G	NP2016SS	ALNP2016	17.00X13.00 (432X330)
NP2024	—	NP2024G	—	—	21.00X17.00 (533X432)
NP2020	NP2020PP	NP2020G	NP2020SS	ALNP2020	17.00X17.00 (432X432)
NP2412	—	NP2412G	—	—	21.00X9.00 (533X229)
NP2416	—	NP2416G	NP2416SS	—	21.00X13.00 (533X330)
NP2420	NP2420PP	NP2420G	NP2420SS	ALNP2420	21.00X17.00 (533X432)
NP2424	NP2424PP	NP2424G	NP2424SS	ALNP2424	21.00X21.00 (533X533)
NP2430	—	NP2430G	—	—	27.00X21.00 (686X533)
NP3016	—	NP3016G	—	—	27.00X13.00 (686X330)
NP3020	—	NP3020G	NP3020SS	—	27.00X17.00 (686X432)
NP3024	NP3024PP	NP3024G	NP3024SS	ALNP3024	27.00X21.00 (686X533)
NP3030	NP3030PP	NP3030G	NP3030SS	—	27.00X27.00 (686X686)
NP3036	—	NP3036G	—	—	33.00X27.00 (838X686)
NP3042	—	NP3042G	—	—	39.00X27.00 (991X686)
NP3624	NP3624PP	NP3624G	NP3624SS	ALNP3624	33.00X21.00 (838X533)
NP3630	NP3630PP	NP3630G	NP3630SS	ALNP3630	33.00X27.00 (838X686)
NP3636	NP3636PP	NP3636G	NP3636SS	—	33.00X33.00 (838X838)
NP3642	—	NP3642G	—	—	39.00X33.00 (991X838)
NP4024	—	NP4024G	—	—	37.00X21.00 (940X533)
NP4224	—	NP4224G	—	—	39.00X21.00 (991X533)
NP4230	—	NP4230G	NP4230SS	—	39.00X27.00 (991X686)
NP4236	—	NP4236G	NP4236SS	—	39.00X33.00 (991X838)
NP4824	—	NP4824G	—	—	45.00X21.00 (1143X533)
NP4830	—	NP4830G	—	—	45.00X27.00 (1143X686)
NP4836	—	NP4836G	NP4836SS	ALNP4836	45.00X33.00 (1143X838)
NP6030	—	NP6030G	—	—	57.00X27.00 (1448X686)
NP6036	—	NP6036G	NP6036SS	ALNP6036	57.00X33.00 (1448X838)
NP7230	—	NP7230G	—	—	69.00X27.00 (1753X686)
NP7236	—	NP7236G	—	—	69.00X33.00 (1753X838)





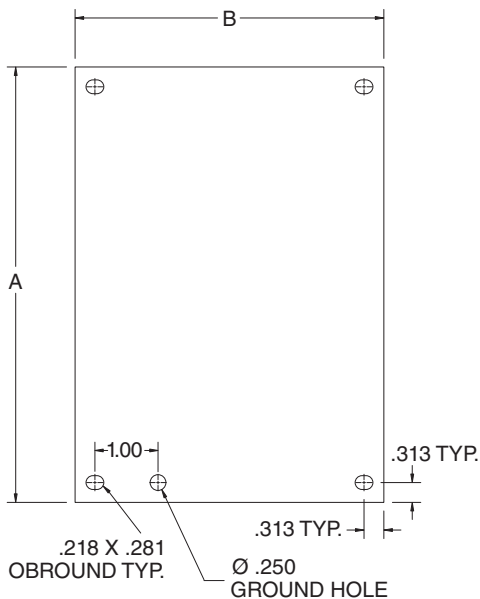
**NP1212C**

**FEATURES-SPECIFICATIONS**

**Description**

- Steel and stainless panels are 12 gauge
- Steel panels are painted white polyester powder
- Optional "G" panels have a conductive finish (no paint)
- Panels fit the following enclosures:
  - N412C
  - N412WC
  - N412CD
  - N412CSTD
  - N412CST
  - N412CSSSTD
  - N412SS3PTC

C SERIES BACK PANELS ACCESSORY PANELS FOR ULTIMATE N412C ENCLOSURES			
PAINTED STEEL (WHITE)	CATALOG NUMBER		PANEL SIZE A X B
	"G"	304 STAINLESS STEEL	
NP1212C	NP1212CG	—	10.2X10.2 (259X259)
NP1612C	NP1612CG	NP1612SSC	14.2X10.2 (361X259)
NP1616C	NP1616CG	NP1616SSC	14.2X14.2 (361X361)
NP2016C	NP2016CG	NP2016SSC	18.2X14.2 (462X361)
NP2416C	NP2416CG	NP2416SSC	22.2X14.2 (564X361)
NP2020C	NP2020CG	NP2020SSC	18.2X18.2 (462X462)
NP2420C	NP2420CG	NP2420SSC	22.2X18.2 (564X462)
NP3020C	NP3020CG	—	28.2X18.2 (716X462)
NP2424C	NP2424CG	NP2424SSC	22.2X22.2 (564X564)
NP3024C	NP3024CG	NP3024SSC	28.2X22.2 (716X564)
NP3624C	NP3624CG	NP3624SSC	34.2X22.2 (869X564)
NP4024C	NP4024CG	—	38.2X22.2 (970X564)
NP4824C	NP4824CG	—	46.2X22.2 (1173X564)
NP2430C	NP2430CG	—	22.2X28.2 (564X716)
NP3030C	NP3030CG	NP3030SSC	28.2X28.2 (716X716)
NP3630C	NP3630CG	NP3630SSC	34.2X28.2 (869X716)
NP3636C	NP3636CG	NP3636SSC	34.2X34.2 (869X869)
NP4236C	NP4236CG	NP4236SSC	40.2X34.2 (1021X869)
NP4836C	NP4836CG	NP4836SSC	46.2X34.2 (1173X869)
NP6036C	NP6036CG	NP6036SSC	58.2X34.2 (1478X869)



**N1P SERIES BACK PANELS  
ACCESSORY PANELS FOR LARGE NIC & RHC ENCLOSURES**



N1P1216L



N1P1216L

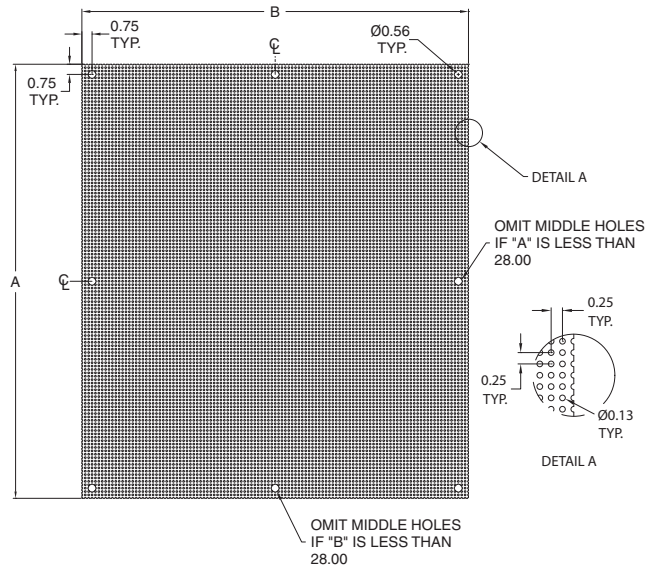
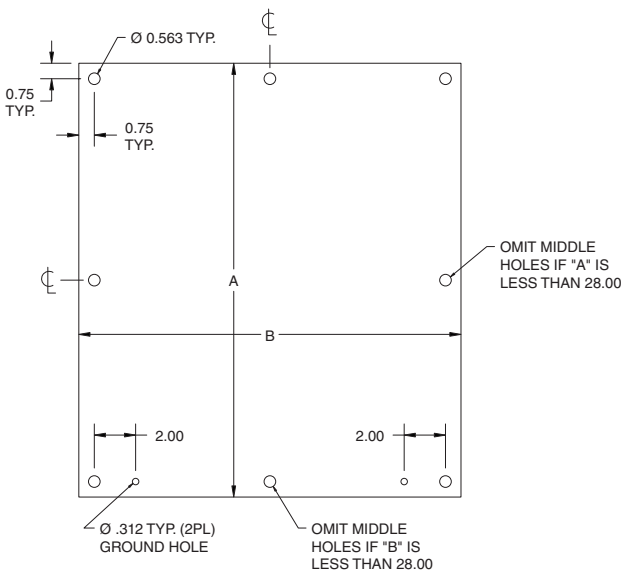
**FEATURES-SPECIFICATIONS**

**Description**

- 14 & 12 gauge (non-perforated)
- White polyester powder
- Panels fit the following enclosures:
  - NEMA 1 Medium (NIC)
- Perforated steel panels are 14 gauge
- Accept self-tapping screws - eliminates the need to measure, mark and drill when mounting components
- Panels are used for mounting light-weight control components

BACK PANELS FOR LARGE NIC & RHC ENCLOSURES			
CATALOG NUMBER		GAUGE	PANEL SIZE A X B
PAINTED	PERFORATED		
N1P1216L	N1P1216LPP	14	13.00x10.50 (330x267)
N1P1616	N1P1616PP	14	13.00x14.50 (330x368)
N1P1620	N1P1620PP	14	17.00x14.50 (432x368)
N1P2016	N1P2016PP	14	13.00x18.50 (330x470)
N1P2020	N1P2020PP	14	17.00x18.50 (432x470)
N1P1624	N1P1624PP	14	21.00x14.50 (533x368)
N1P2024	N1P2024PP	14	21.00x18.50 (533x470)
N1P2424	N1P2424PP*	12	21.00x22.50 (533x572)
N1P2030	N1P2030PP*	12	26.00x18.50 (660x470)
N1P2436	N1P2436PP*	12	32.00x22.50 (813x572)
N1P3036	N1P3036PP*	12	32.00x28.50 (813x724)
N1P2420	N1P2420PP	14	17.00x22.50 (432x572)
N1P2430	N1P2430PP*	12	26.00x22.50 (660x572)
N1P3030	N1P3030PP*	12	26.00x28.50 (660x724)
N1P3036	N1P3036PP*	12	32.00x28.50 (813x724)

\*Perforated panels are formed on four sides.



**NPDD SERIES BACK PANELS  
ACCESSORY PANELS FOR DOUBLE DOOR FLOOR-MOUNT ENCLOSURES**



NPDD4242

**FEATURES-SPECIFICATIONS**

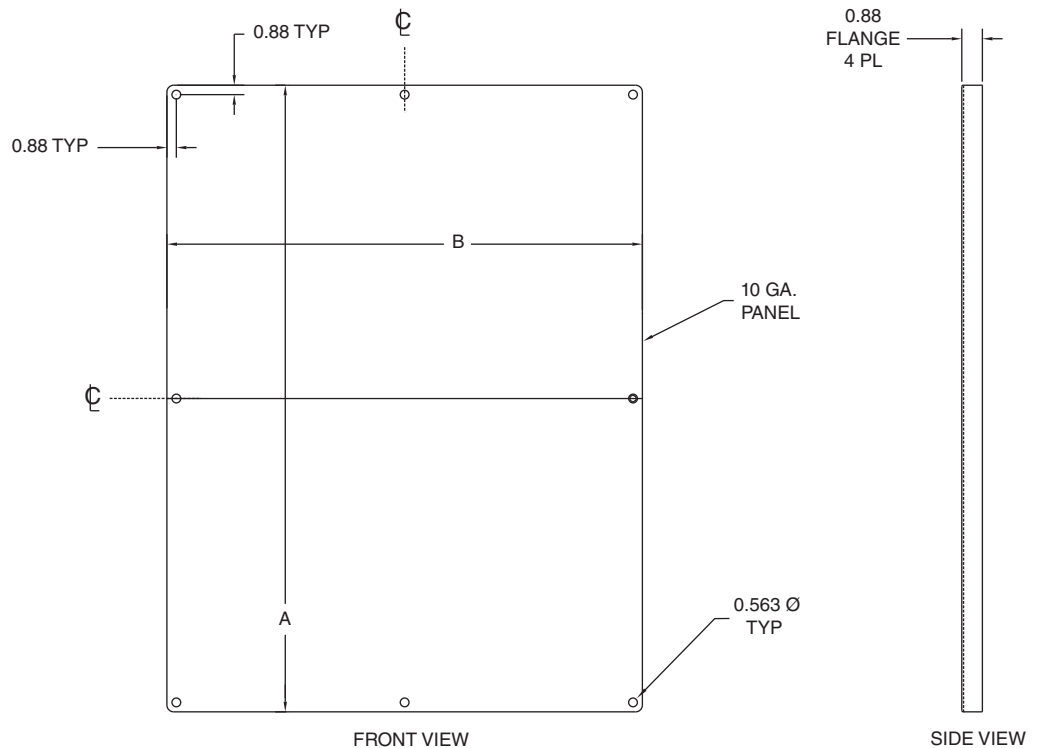
**Description**

- Steel panels are fabricated from 10 gauge carbon steel
- Panels are painted with a white polyester powder
- Panels are used in NEMA 12 double door floor-mounted enclosures and some 2-door wall-mount enclosures
- Optional "G" panels have a conductive finish (no paint)

**Fits:**

SSN4D, SSN4D3PT-A  
N12 Floor Mount  
WAX  
WACPX  
WAXSSN4  
WACPXSSN4  
WAWF  
SSN4WF3PT

BACK PANELS FOR DOUBLE DOOR FLOOR-MOUNTED ENCLOSURES		
CATALOG NUMBER		PANEL SIZE A X B
PAINTED STEEL (WHITE)	"G"	
NPDD4242	NPDD4242G	39.00x39.00 (991x991)
NPDD4260	NPDD4260G	38.00x56.00 (965x1422)
NPDD4842	NPDD4842G	45.00x39.00 (1143x991)
NPDD4848	NPDD4848G	44.00x44.00 (1118x1118)
NPDD5442	NPDD5442G	50.00x38.00 (1270x965)
NPDD6048	NPDD6048G	44.00x56.00 (1118x1422)
NPDD6060	NPDD6060G	56.00x56.00 (1422x1422)
NPDD7260	NPDD7260G	56.00x68.00 (1422x1727)
NPDD7272	NPDD7272G	68.00x68.00 (1727x1727)



**FEATURES-SPECIFICATIONS**
**Description**

Panels for single-door single-access and single-door dual-access, freestanding NEMA 12, freestanding NEMA 4 and freestanding stainless steel enclosures.

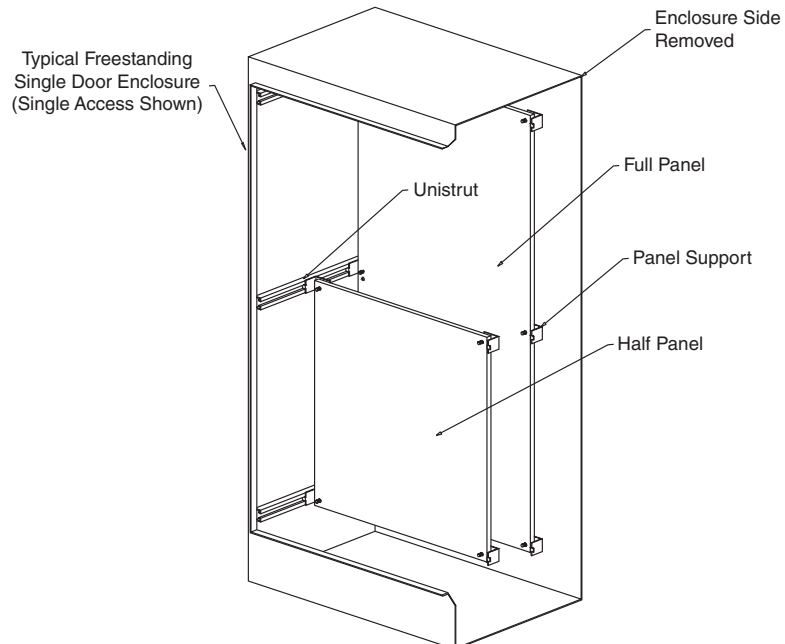
- Panels are 10 or 12 gauge steel and can be positioned anywhere along horizontal depth-wise mounting channels
- Half-length panels can be located in the upper or lower portion of the enclosure
- Mounting hardware is furnished with each panel
- Panels are painted with a white polyester powder
- Panels may be used in two-door enclosures along with other freestanding accessories
- **Optional "G"** panels have a conductive finish (no paint)

**REGULAR PANELS ONLY (FULL & HALF) NEMA 12 SINGLE DOOR**

CATALOG NUMBER		STEEL GAUGE	PANEL SIZE A X B	PANEL TYPE
WHITE	"G"			
WA60P24F1	WA60P24F1G	12	48.00x20.00 (1219x508)	Full
WA60P24F2	WA60P24F2G	12	24.88x20.00 (632x508)	Half
WA72P24F1	WA72P24F1G	12	60.00x20.00 (1524x508)	Full
WA72P24F2	WA72P24F2G	12	30.88x20.00 (784x508)	Half
WA90P24F1	WA90P24F1G	12	78.00x20.00 (1981x508)	Full
WA90P24F2	WA90P24F2G	12	39.88x20.00 (1013x508)	Half
WA72P30F1	WA72P30F1G	12	60.00x26.00 (1524x660)	Full
WA72P30F2	WA72P30F2G	12	30.88x26.00 (784x660)	Half
WA60P36F1	WA60P36F1G	12	48.00x32.00 (1219x813)	Full
WA60P36F2	WA60P36F2G	12	24.88x32.00 (632x813)	Half
WA72P36F1	WA72P36F1G	12	60.00x32.00 (1524x813)	Full
WA72P36F2	WA72P36F2G	12	30.88x32.00 (784x813)	Half
WA90P36F1	WA90P36F1G	12	78.00x32.00 (1981x813)	Full
WA90P36F2	WA90P36F2G	12	39.88x32.00 (1013x813)	Half

NOTE: If used in a Two Door Enclosure, a center panel support must be ordered.

NOTE: Suffix F1 = Full Panel, and F2 = Half Panel.





**FEATURES-SPECIFICATIONS**

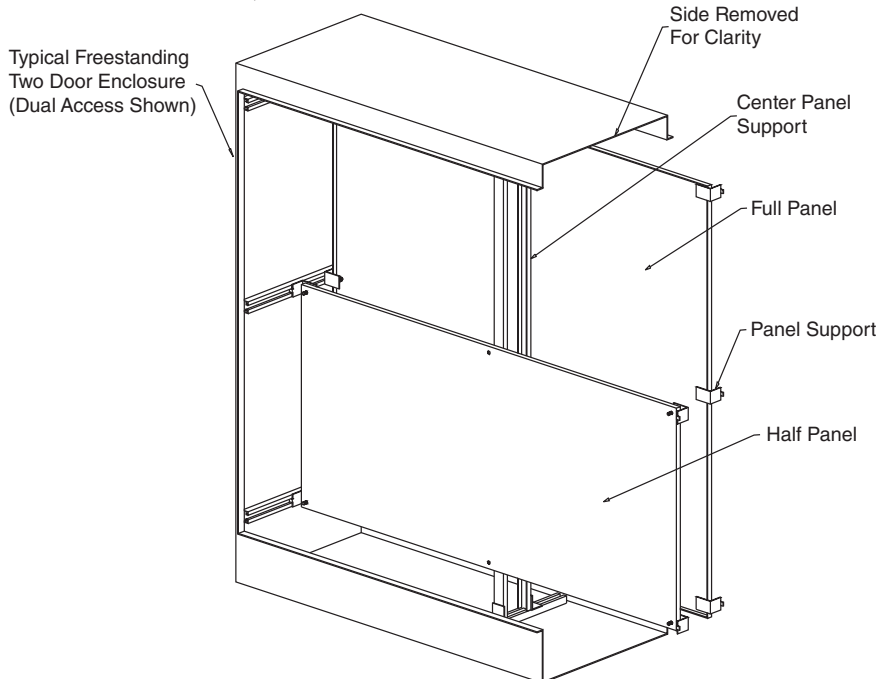
**Description**

Panels for two-door single-access and two-door dual-access Free-standing NEMA 12 enclosures.

- Panels are 10 gauge steel and can be positioned anywhere along horizontal depth-wise mounting channels
- Half-length panels can be located in the upper or lower portion of the enclosure
- Mounting hardware is furnished with each panel
- Panels are painted with a white polyester powder
- Optional "G" panels have a conductive finish (no paint)

BACK PANELS FOR TWO DOOR FREESTANDING ENCLOSURES				
CATALOG NUMBER		STEEL GAUGE	PANEL SIZE A X B	PANEL TYPE
WHITE	"G"			
WA60P48F1	WA60P48F1G	10	48.00x44.00 (1219x1118)	Full
WA60P48F2	WA60P48F2G	10	24.88x44.00 (632x1118)	Half
WA72P48F1	WA72P48F1G	10	60.00x44.00 (1524x1118)	Full
WA72P48F2	WA72P48F2G	10	30.88x44.00 (784x1118)	Half
WA72P60F1	WA72P60F1G	10	60.00x56.00 (1524x1422)	Full
WA72P60F2	WA72P60F2G	10	30.88x56.00 (784x1422)	Half
WA72P72F1	WA72P72F1G	10	60.00x68.00 (1524x1727)	Full
WA72P72F2	WA72P72F2G	10	30.88x68.00 (784x1727)	Half
WA90P48F1	WA90P48F1G	10	78.00x44.00 (1981x1118)	Full
WA90P48F2	WA90P48F2G	10	39.88x44.00 (1013x1118)	Half
WA90P72F1	WA90P72F1G	10	78.00x68.00 (1981x1727)	Full
WA90P72F2	WA90P72F2G	10	39.88x68.00 (1013x1727)	Half

NOTE: Center Panel support is supplied with a regular Two Door Enclosure Panel. This support is used only as a brace. It is not intended to be used as a support for Single Door Panels, relay racks, etc.  
NOTE: Suffix F1 = Full Panel, and F2 = Half Panel.



**FEATURES-SPECIFICATIONS**
**Description**

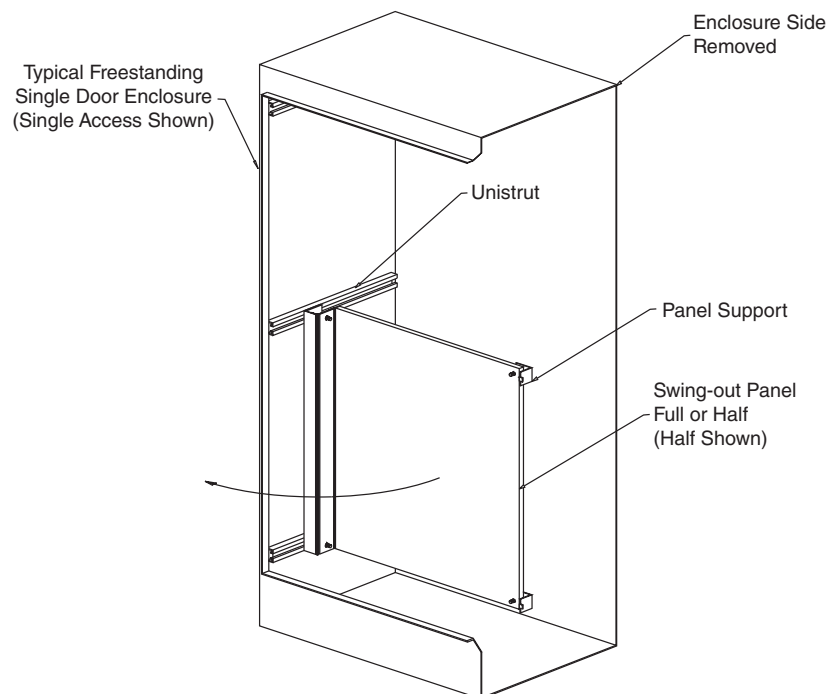
Panels for Free Standing NEMA 12 Enclosures and Free Standing NEMA 4 Enclosures.

- Full-length and half-length swing-out panels are available
- Half-length panels can be located in the upper or lower portion of the enclosures
- Mounting can be on either side of the enclosure
- Mounting hardware is furnished with each panel
- Panels are fabricated from 12 gauge steel
- Panels may be used in two-door enclosures along with other free-standing accessories
- Panels are painted with a white polyester powder
- **Optional "G"** panels have a conductive finish (no paint)

SWING OUT PANELS ONLY (FULL & HALF) NEMA 12 SINGLE DOOR				
CATALOG NUMBER		STEEL GAUGE	PANEL SIZE A X B	PANEL TYPE
WHITE	"G"			
WA60SP24F3	WA60SP24F3G	12	48.00x19.00 (1219x483)	Full
WA60SP24F4	WA60SP24F4G	12	24.88x19.00 (632x483)	Half
WA72SP24F3	WA72SP24F3G	12	60.00x19.00 (1524x483)	Full
WA72SP24F4	WA72SP24F4G	12	30.88x19.00 (784x483)	Half
WA72SP30F3	WA72SP30F3G	12	60.00x25.00 (1524x635)	Full
WA72SP30F4	WA72SP30F4G	12	30.88x25.00 (784x635)	Half
WA60SP36F3	WA60SP36F3G	12	48.00x31.00 (1219x787)	Full
WA60SP36F4	WA60SP36F4G	12	24.88x31.00 (632x787)	Half
WA72SP36F3	WA72SP36F3G	12	60.00x31.00 (1524x787)	Full
WA72SP36F4	WA72SP36F4G	12	30.88x31.00 (784x787)	Half
WA90SP36F3	WA90SP36F3G	12	78.00x31.00 (1981x787)	Full
WA90SP36F4	WA90SP36F4G	12	39.88x31.00 (1013x787)	Half

NOTE: If used in a Two Door Enclosure, a center panel support must be ordered.

NOTE: Suffix F3 = Full Panel, and F4 = Half Panel.



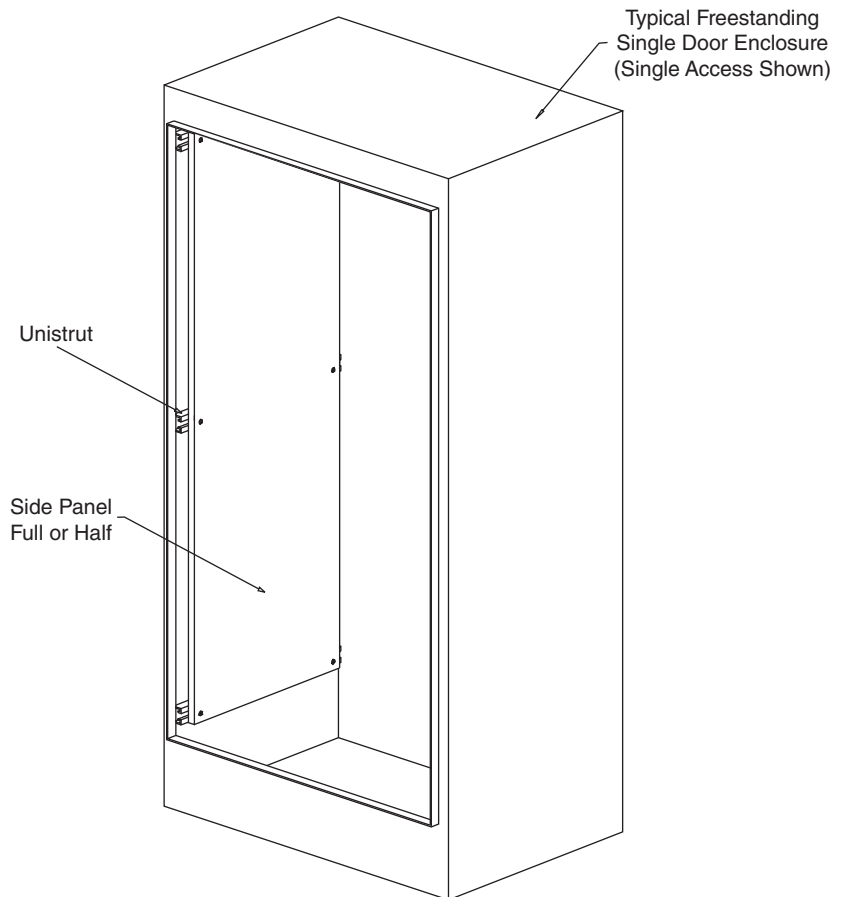
**FEATURES-SPECIFICATIONS**

**Description**

Panels for Freestanding NEMA 12 and Freestanding NEMA 4 Enclosures.

- Panels are fabricated from 12 gauge steel
- They provide extra mounting space on the sides of the enclosures
- Panels attach securely to mounting channels
- Panel mounting hardware is included
- Panels are painted with a white polyester powder
- Optional "G" panels have a conductive finish (no paint)

SIDE MOUNT PANELS FOR SINGLE OR DOUBLE DOORS				
CATALOG NUMBER		STEEL GAUGE	PANEL SIZE A X B	BOX DEPTH
WHITE	"G"			
WA60SMP14	WA60SMP14G	12	48.00x14.00 (1219x356)	18"
WA72SMP14	WA72SMP14G	12	60.00x14.00 (1524x356)	18"
WA72SMP20	WA72SMP20G	12	60.00x20.00 (1524x508)	24"
WA90SMP14	WA90SMP14G	12	78.00x14.00 (1981x356)	18"
WA90SMP20	WA90SMP20G	12	78.00x20.00 (1981x508)	24"

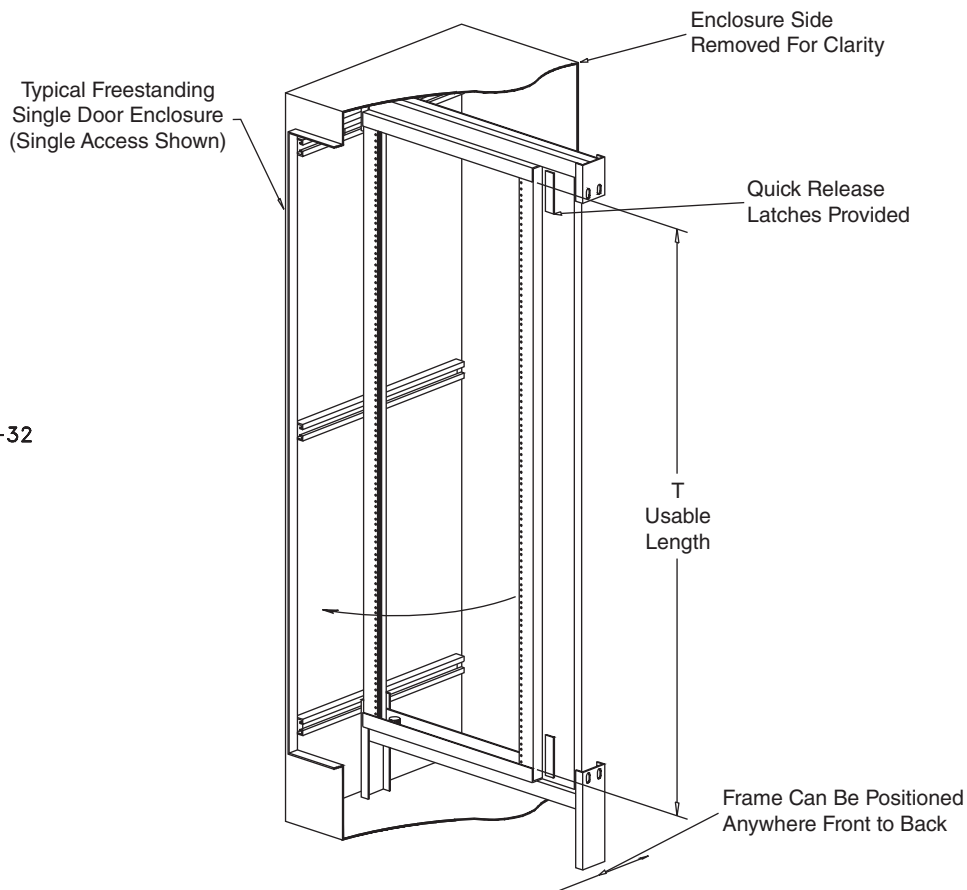
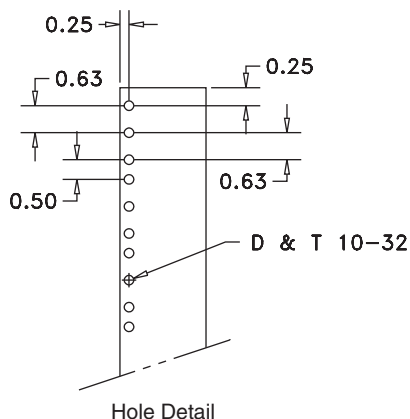


**FEATURES-SPECIFICATIONS**
**Description**

- Fabricated from 10 gauge steel, these swing-out rack mounting frames are available for mounting rack mounting equipment. Mounting holes are tapped with #10-32 threads spaced per E.I.A. standard
- Panels are painted with a white polyester powder

SWING-OUT RACKS FOR FREESTANDING ENCLOSURES			
CATALOG NUMBER	FITS ENCLOSURE H X W	RACK SIZE	USABLE ANGLE LENGTH "T"
WA7230SOF19	72.00x30.00 (1829x762)	19.00 (483)	57.88 (1470)
WA7236SOF19	72.00x36.00 (1829x914)	19.00 (483)	57.88 (1470)
WA9036SOF19	90.00x36.00 (2286x914)	19.00 (483)	75.38 (1915)

NOTE: If used in a Two Door Enclosure, a center panel support must be ordered.



**FEATURES-SPECIFICATIONS**

**Type RP**

For Free Standing NEMA 12 Enclosures

- Fabricated from 10 gauge steel
- Full-length or half-length rack mounting angles are available for mounting rack-mounted equipment
- If used in Two-Door Enclosures a center panel support must be ordered
- Finish is a white polyester powder

**Type RA**

For all Free Standing NEMA 12 and NEMA 4 Enclosures

- Designed for mounting 19 inch and 24 inch rack mounted equipment
- Through holes (7/32 Dia.) are provided and require a W1032N clip nut (must be ordered separately)
- Rack angles are mounted on unistrut within the Free Standing enclosures and are adjustable
- If used in Two-Door Enclosures a center panel support must be ordered
- Finish is a white polyester powder

RELAY RACK ANGLES		
CATALOG NUMBER	STEEL GAUGE	LENGTH "L"
WA60RP24F5	10	49.00 (1245)
WA60RP24F6	10	26.25 (667)
WA72RP24F5	10	61.25 (1556)
WA72RP24F6	10	31.50 (800)
WA72RP30F5	10	61.25 (1556)
WA72RP30F6	10	31.50 (800)
WA90RP24F5	10	78.75 (2000)
WA90RP24F6	10	40.25 (1022)

WA-RA RELAY RACK ANGLES			
CATALOG NUMBER	FITS ENCLOSURE H X W	RACK SIZE	ANGLE LENGTH "L"
WA60RA19TH	60.00x24.00 (1524x610)	19.00 (483)	49.00 (1245)
WA72RA19TH	72.00x24.00 (1829x610)	19.00 (483)	61.25 (1556)
WA72RA24TH	72.00x30.00 (1829x762)	24.00 (610)	61.25 (1556)
WA90RA19TH	90.00x24.00 (2286x610)	19.00 (483)	78.78 (2001)

NOTE: If used in a Two Door Enclosure, a center panel support must be ordered.

