

Section B Index

RSC Series

NEMA 3R Screw Cover Wall-Mount.....B2

RHC Series"Small" NEMA 3R Hinge Cover
Wall-Mount.....B4"Medium" NEMA 3R Hinge Cover
Wall-Mount.....B6**LOH Series**

NEMA 3R Hinge Cover Wall-MountB8

WCT Series

NEMA 3R Screw Cover Wall-MountB10

CT Series

NEMA 3R Single Door Hinge CoverB12

NEMA 3R Double Door Hinge Cover.....B13

NEMA 3R ENCLOSURES





RSC060604

Industry Standards
UL 50, Types 1 & 3R
CSA Certified, Type 1 & 3R
NEMA/EEMAC Type 1 & 3R

UL File E23553

CSA File LL66078

FEATURES-SPECIFICATIONS

Applications

Designed for use as wiring boxes and junction boxes. Provide protection in outdoor applications against rain, sleet, and snow, or indoors against dripping water.

Construction

- Bodies and doors fabricated from 16, 14, or 12 gauge carbon steel and pre-galvanized steel (reference table)
- Drip shield top and smooth seamless sides and front
- Knockouts are standard on bottom of 4.00" and 6.00" deep enclosures (reference table)
- A slip-on reversible cover is securely fastened with screws located along bottom edge
- No gasketing is required
- Hasp for padlocking or meter seal is provided

Finish

- ANSI-61 gray polyester powder inside and out over carbon steel
- Pre-galvanized steel (unfinished)

Accessories

- See pages J1-J22

‡Not UL Listed. No hasp or meter seal. Must specify CSA Label when ordering.

Notes: For removal of cover, move downward, then outward.

4.00x4.00x4.00 only has 2 mounting holes centered horizontally.

4.00x6.00x4.00 only has 2 mounting holes centered vertically.

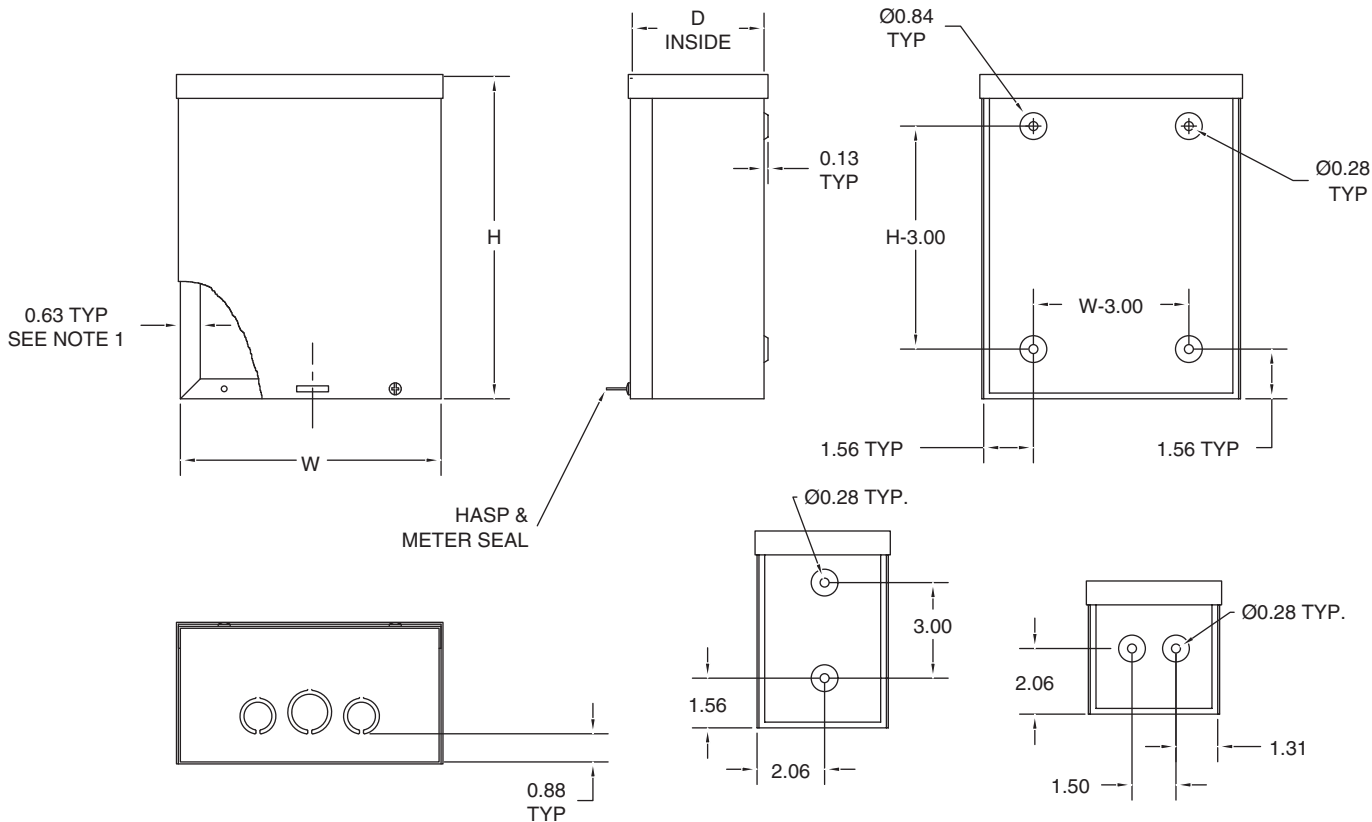
Note: 8", 10" and 12" deep enclosures do not have mounting embosses in back of enclosure, only mounting holes.

Note: Second numerical value of catalog # represents height.

****Also available with No Knockouts
Add "NK" to Catalog Number**

RSC SERIES SCREW COVER ENCLOSURES				
CATALOG NUMBER		BODY/DOOR STEEL GAUGE	ENCLOSURE SIZE H+1/8", W+1/8", D+3/16"	KNOCKOUT PATTERNS
PAINTED	GALVANIZED			
RSC040404**‡	RSC040404G**	16/16	4.00x4.00x4.00 (102x102x102)	A
RSC040604**‡	RSC040604G**	16/16	6.00x4.00x4.00 (152x102x102)	A
RSC060604**	RSC060604G**	16/16	6.00x6.00x4.00 (152x152x102)	A-B-A
RSC060804**	RSC060804G**	16/16	8.00x6.00x4.00 (203x152x102)	A-B-A
RSC080804**	RSC080804G**	16/16	8.00x8.00x4.00 (203x203x102)	A-B-A
RSC081004**	RSC081004G**	16/16	10.00x8.00x4.00 (254x203x102)	A-B-A
RSC101004**	RSC101004G**	16/16	10.00x10.00x4.00 (254x254x102)	B-A-F-F-A
RSC101204**	RSC101204G**	16/16	12.00x10.00x4.00 (305x254x102)	B-A-F-F-A
RSC121204**	RSC121204G**	16/16	12.00x12.00x4.00 (305x305x102)	B-A-F-F-A-B
RSC121504**	RSC121504G**	16/16	15.00x12.00x4.00 (381x305x102)	B-A-F-F-A-B
RSC181804**	RSC181804G**	16/16	18.00x18.00x4.00 (457x457x102)	A-B-A-F-F-A-B-A
RSC060606**	RSC060606G**	16/16	6.00x6.00x6.00 (152x152x152)	A-B-A
RSC060806**	RSC060806G**	16/16	8.00x6.00x6.00 (203x152x152)	A-B-A
RSC080806**	RSC080806G**	16/16	8.00x8.00x6.00 (203x203x152)	A-B-A
RSC081006**	RSC081006G**	16/16	10.00x8.00x6.00 (254x203x152)	A-B-A
RSC081206**	RSC081206G**	16/16	12.00x8.00x6.00 (305x203x152)	A-B-A
RSC101006**	RSC101006G**	16/16	10.00x10.00x6.00 (254x254x152)	B-A-F-F-A
RSC101206**	RSC101206G**	16/16	12.00x10.00x6.00 (305x254x152)	B-A-F-F-A
RSC121206**	RSC121206G**	16/16	12.00x12.00x6.00 (305x305x152)	B-A-F-F-A-B
RSC121506**	RSC121506G**	16/16	15.00x12.00x6.00 (381x305x152)	B-A-F-F-A-B
RSC121806**	RSC121806G**	16/16	18.00x12.00x6.00 (457x305x152)	B-A-F-F-A-B
RSC151806**	RSC151806G**	16/16	18.00x15.00x6.00 (457x381x152)	A-B-A-F-F-A-B-A
RSC181806**	RSC181806G**	16/16	18.00x18.00x6.00 (457x457x152)	A-B-A-F-F-A-B-A
RSC182406**	RSC182406G**	16/16	24.00x18.00x6.00 (610x457x152)	A-B-A-F-F-A-B-A
RSC242406**	RSC242406G**	14/14	24.00x24.00x6.00 (610x610x152)	A-B-A-F-F-A-B-A
+RSC121208	RSC121208G	16/16	12.00x12.00x8.00 (305x305x203)	No Knockouts
+RSC121808	RSC121808G	16/16	18.00x12.00x8.00 (457x305x203)	No Knockouts
+RSC151808	RSC151808G	16/16	18.00x15.00x8.00 (457x381x203)	No Knockouts
+RSC181808	RSC181808G	16/16	18.00x18.00x8.00 (457x457x203)	No Knockouts
+RSC182408	RSC182408G	14/14	24.00x18.00x8.00 (610x457x203)	No Knockouts
+RSC202408	RSC202408G	14/14	24.00x20.00x8.00 (610x508x203)	No Knockouts
+RSC242408	RSC242408G	14/14	24.00x24.00x8.00 (610x610x203)	No Knockouts
+RSC243008	RSC243008G	14/14	30.00x24.00x8.00 (762x610x203)	No Knockouts
+RSC121210	RSC121210G	16/16	12.00x12.00x10.00 (305x305x254)	No Knockouts
+RSC161610	RSC161610G	16/16	16.00x16.00x10.00 (406x406x254)	No Knockouts
+RSC242412	RSC242412G	14/14	24.00x24.00x12.00 (610x610x305)	No Knockouts
+RSC243612	RSC243612G	12/12	36.00x24.00x12.00 (914x610x305)	No Knockouts
+RSC303012	RSC303012G	12/12	30.00x30.00x12.00 (762x762x305)	No Knockouts
+RSC303612	RSC303612G	12/12	36.00x30.00x12.00 (914x762x305)	No Knockouts
+RSC363612	RSC363612G	12/12	36.00x36.00x12.00 (914x914x305)	No Knockouts
+RSC242416	RSC242416G	14/14	24.00x24.00x16.00 (610x610x406)	No Knockouts
+RSC303016	RSC303016G	12/12	30.00x30.00x16.00 (762x762x406)	No Knockouts
+RSC363616	RSC363616G	12/12	36.00x36.00x16.00 (914x914x406)	No Knockouts
+RSC364816	RSC364816G	12/12	48.00x36.00x16.00 (1219x914x406)	No Knockouts

(+) All products, unless otherwise denoted by a (+), are: H+1/8", W+1/8", D+3/16"



NOTES:

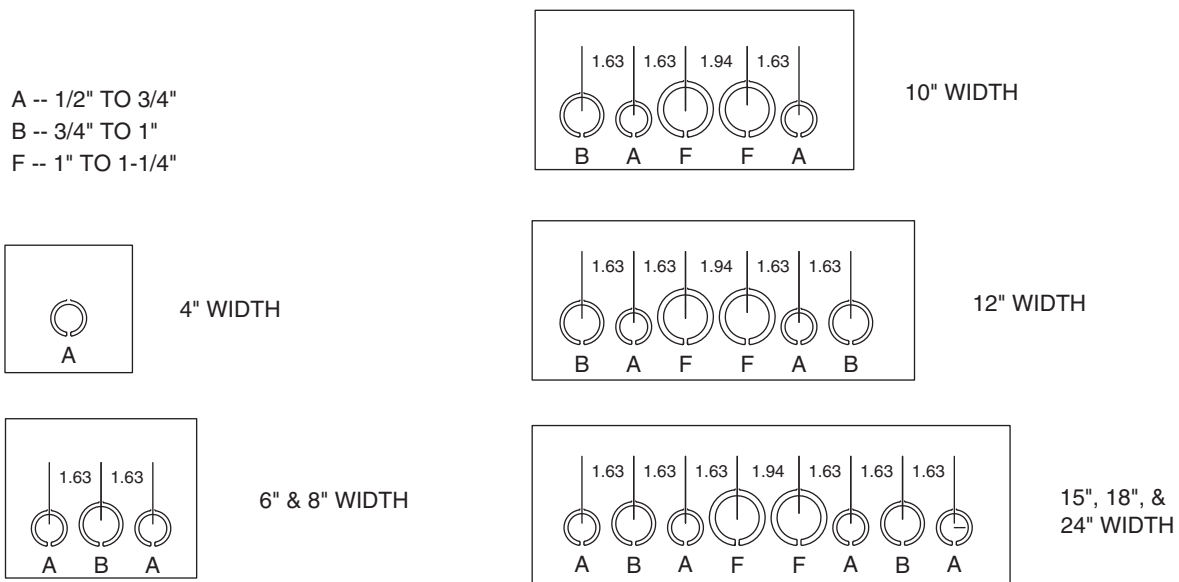
- 1. Enclosures with D = 8.00" or more do not have an internal flange.

**4.00" X 6.00"
MOUNTING**

**4.00" X 4.00"
MOUNTING**

Knockout Patterns

- A -- 1/2" TO 3/4"
- B -- 3/4" TO 1"
- F -- 1" TO 1-1/4"





RHC060604

Industry Standards

UL 50, Types 1 & 3R
CSA Certified, Type 1 & 3R
NEMA/EEMAC Type 1 & 3R

UL File E6924

CSA File LL66078

FEATURES-SPECIFICATIONS

Applications

Designed for use as wiring boxes and junction boxes. Provides protection in outdoor installations against rain, sleet, and snow, or indoors against dripping water.

Construction

- Bodies and doors fabricated from 16 gauge carbon steel
- Continuous hinge
- Lid is supplied with a padlockable draw latch

- Hinge is made of carbon steel with a stainless steel hinge pin
- Standard size enclosures are provided with knockouts in bottom
- Weldnuts provided for mounting optional back panels
- External mounting plates, top and bottom of enclosure
- Knockouts on bottom of enclosure
- Grounding provisions provided

Finish

- ANSI-61 gray polyester powder inside and out
- **Optional** back panels are white polyester powder
- **Optional** perforated panels are painted white polyester powder (See page I3)

Accessories

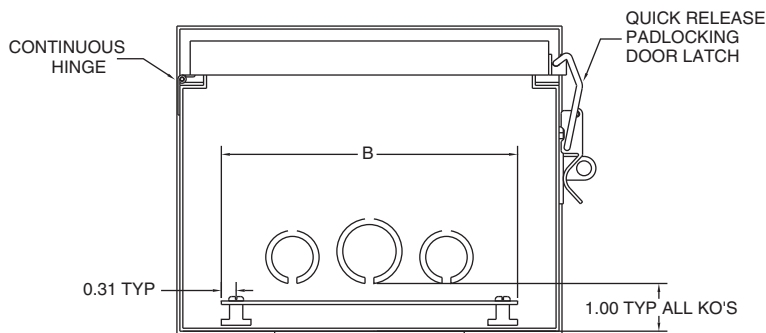
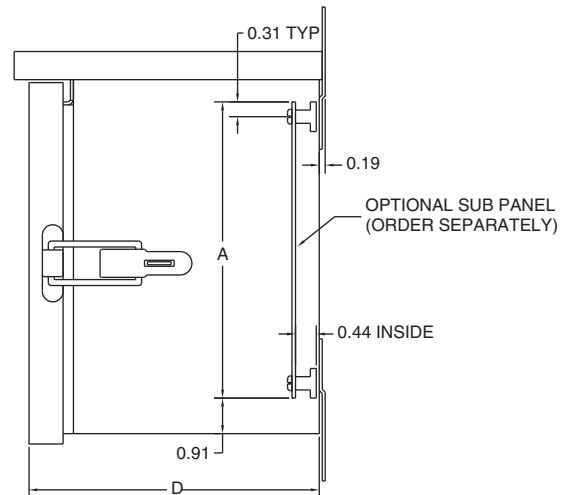
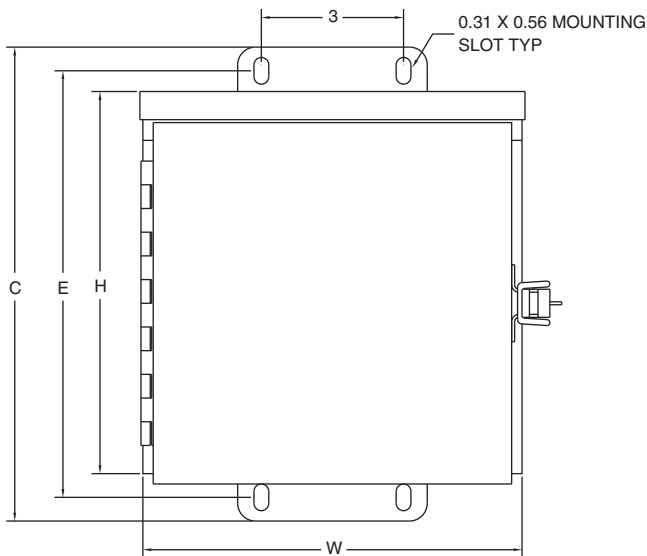
- Back panels (reference tables)
- See pages J1-J22

"SMALL" RHC SERIES HINGE COVER ENCLOSURES								
CATALOG NUMBER	BODY/DOOR STEEL GAUGE	ENCLOSURE SIZE H X W X D	KNOCKOUT PATTERN	BACK PANEL CATALOG NUMBER*		BACK PANEL SIZE A X B	C	E
				WHITE	PERFORATED			
RHC060604	16/16	6.06x6.00x4.13 (154x152x105)	G-F-G	N1P0606	N1P0606PP	4.25x4.25 (108x108)	8.00 (203)	7.00 (178)
RHC060804	16/16	8.06x6.00x4.13 (205x152x105)	G-F-G	N1P0608	N1P0608PP	6.25x4.25 (159x108)	10.00 (254)	9.00 (229)
RHC080804	16/16	8.06x8.00x4.13 (205x203x105)	G-F-G	N1P0808	N1P0808PP	6.25x6.25 (159x159)	10.00 (254)	9.00 (229)
RHC080806	16/16	8.06x8.00x6.13 (205x203x156)	G-F-G	N1P0808	N1P0808PP	6.25x6.25 (159x159)	10.00 (254)	9.00 (229)
RHC081006	16/16	10.06x8.00x6.13 (256x203x156)	G-F-G	N1P0810	N1P0810PP	8.25x6.25 (210x159)	12.00 (305)	11.00 (279)
RHC101206	16/16	12.06x10.00x6.13 (306x254x156)	G-F-G	N1P1012	N1P1012PP	10.25x8.25 (260x210)	14.00 (356)	13.00 (330)
RHC121206	16/16	12.06x12.00x6.13 (306x305x156)	F-G-H-I-G	N1P1212	N1P1212PP	10.25x10.25 (260x260)	14.00 (356)	13.00 (330)

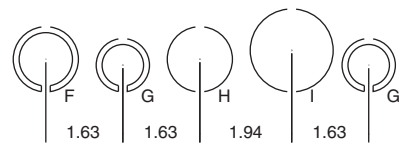
* Back panels must be ordered separately.

NOTE: Second numerical value of catalog # represents height.

RHC SERIES ENCLOSURES
"SMALL" NEMA 3R HINGE COVER WALL-MOUNT



KNOCKOUT PATTERN
(PATTERNS ARE CENTERED IN WIDTH)



- F = 3/4" X 1" CONCENTRIC KO
- G = 1/2" X 3/4" CONCENTRIC KO
- H = 1" SOLID KO
- I = 1-1/4" SOLID KO



RHC161606

Industry Standards

UL 508, Types 1 & 3R
CSA Certified, Type 1 & 3R
NEMA/EEMAC Type 1 & 3R



FEATURES-SPECIFICATIONS

Applications

Designed for use as wiring boxes and junction boxes. Provide protection in outdoor installations against rain, sleet, and snow, or indoors against dripping water.

Construction

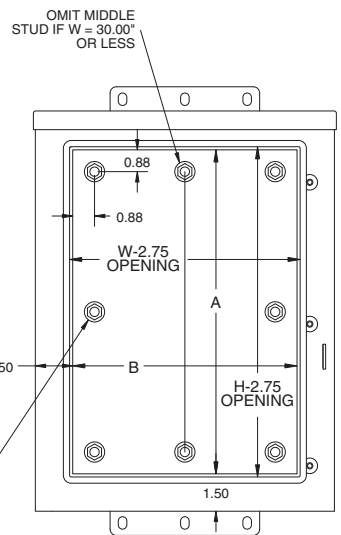
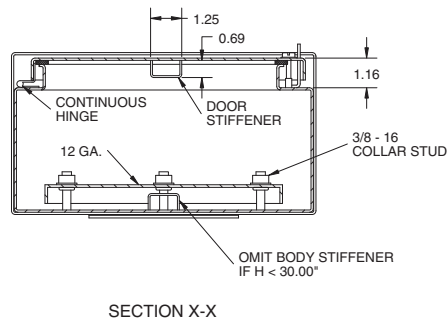
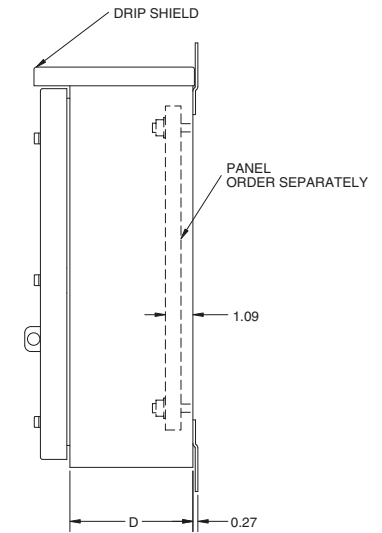
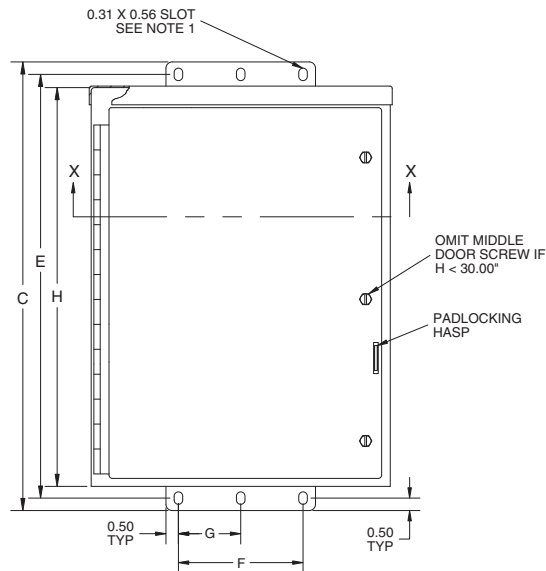
- Bodies and doors fabricated from 14 gauge carbon steel
- Continuous hinge
- Hinge is made of galvanized steel with a stainless steel pin
- No knockouts
- Collar studs provided for mounting optional back panels
- External mounting plates, top and bottom of enclosure
- Hasp and staple provided for padlocking

Finish

- ANSI-61 gray polyester powder inside and out
- Optional back panels are white polyester powder
- Optional perforated panels are painted white polyester powder (See pages I2-I7)

Accessories

- Back panels (reference tables)
- See pages J1-J22



NOTES:
1. RHC303012 & larger have a 0.38 X 0.63 mounting slot.

**RHC SERIES ENCLOSURES
"MEDIUM" NEMA 3R HINGE COVER WALL-MOUNT**



"MEDIUM" RHC SERIES HINGE COVER ENCLOSURES									
CATALOG NUMBER	BODY/DOOR STEEL GAUGE	ENCLOSURE SIZE H X W X D	BACK PANEL CATALOG NUMBER*		BACK PANEL SIZE A X B	C	E	F	G
			WHITE	PERFORATED					
RHC161206	14/14	16.00x12.00x6.00 (406x305x152)	NP1612	NP1612PP	13.00x9.00 (330x229)	18.00 (457)	17.00 (432)	5.00 (127)	—
RHC161606	14/14	16.00x16.00x6.00 (406x406x152)	NP1616	NP1616PP	13.00x13.00 (330x330)	18.00 (457)	17.00 (432)	9.00 (229)	—
RHC201606	14/14	20.00x16.00x6.00 (508x406x152)	NP2016	NP2016PP	17.00x13.00 (432x330)	22.00 (559)	21.00 (533)	9.00 (229)	—
RHC202008	14/14	20.00x20.00x8.00 (508x508x203)	NP2020	NP2020PP	17.00x17.00 (432x432)	22.00 (559)	21.00 (533)	13.00 (330)	—
RHC242008	14/14	24.00x20.00x8.00 (610x508x203)	NP2420	NP2420PP	21.00x17.00 (533x432)	26.00 (660)	25.00 (635)	13.00 (330)	—
RHC242408	14/14	24.00x24.00x8.00 (610x610x203)	NP2424	NP2424PP	21.00x21.00 (533x533)	26.00 (660)	25.00 (635)	17.00 (432)	—
RHC302408	14/14	30.00x24.00x8.00 (762x610x203)	NP3024	NP3024PP	27.00x21.00 (686x533)	32.00 (813)	31.00 (787)	17.00 (432)	—
RHC303012	14/14	30.00x30.00x12.00 (762x762x305)	NP3030	NP3030PP	27.00x27.00 (686x686)	32.00 (813)	31.00 (787)	27.00 (686)	13.50 (343)
RHC362412	14/14	36.00x24.00x12.00 (914x610x305)	NP3624	NP3624PP	33.00x21.00 (838x533)	38.00 (965)	37.00 (940)	17.00 (432)	—
RHC363012	14/14	36.00x30.00x12.00 (914x762x305)	NP3630	NP3630PP	33.00x27.00 (838x686)	38.00 (965)	37.00 (940)	27.00 (686)	13.50 (343)
RHC363612	14/14	36.00x36.00x12.00 (914x914x305)	NP3636	NP3636PP	33.00x33.00 (838x838)	38.00 (965)	37.00 (940)	27.00 (686)	13.50 (343)
RHC423012	14/14	42.00x30.00x12.00 (1067x762x305)	NP4230	—	39.00x27.00 (991x686)	44.00 (1118)	43.00 (1092)	27.00 (686)	13.50 (343)
RHC423612	14/14	42.00x36.00x12.00 (1067x914x305)	NP4236	—	39.00x33.00 (991x838)	44.00 (1118)	43.00 (1092)	27.00 (686)	13.50 (343)
RHC483612	14/14	48.00x36.00x12.00 (1219x914x305)	NP4836	—	45.00x33.00 (1143x838)	50.00 (1270)	49.00 (1245)	27.00 (686)	13.50 (343)
RHC603612	14/14	60.00x36.00x12.00 (1524x914x305)	NP6036	—	57.00x33.00 (1448x838)	62.00 (1575)	61.00 (1549)	27.00 (686)	13.50 (343)
RHC303016	14/14	30.00x30.00x16.00 (762x762x406)	NP3030	NP3030PP	27.00x27.00 (686x686)	32.00 (813)	31.00 (787)	27.00 (686)	13.50 (343)
RHC483616	14/14	48.00x36.00x16.00 (1219x914x406)	NP4836	NP4836PP	45.00x33.00 (991x838)	50.00 (1270)	49.00 (1245)	27.00 (686)	13.50 (343)

* Back panels must be ordered separately.



LOH121206

Industry Standards

UL 50, Types 1 & 3R
CSA Certified, Type 1 & 3R
NEMA/EEMAC Type 1 & 3R

UL File E6924

CSA File LL66078

FEATURES-SPECIFICATIONS

Applications

Designed for use as wiring box and junction box. Provide protection in outdoor installations against rain, sleet, and snow, or indoors against dripping water.

Construction

- Bodies and doors fabricated from 16 or 14 gauge carbon steel (reference table)
- Drip shield top and seam-free sides, front, and back

- Door is hinged on left side with lift off hinges
- Stainless steel hinge pin
- No knockouts
- Mounting holes are provided on back of enclosure
- Door fastened securely with draw pull catch
- Provision for padlocking
- Grounding provisions provided

Finish

- ANSI-61 gray polyester powder inside and out
- **Optional** back panels are white polyester powder

Accessories

- Mounting feet kit (reference table, see page B9)
- Back panels (reference table)
- For accessories see pages J1-J22

LOH SERIES HINGE COVER ENCLOSURES											
CATALOG NUMBER	BODY/DOOR STEEL GAUGE	ENCLOSURE SIZE H X W X D	BACK PANEL CATALOG NUMBER*	BACK PANEL SIZE A X B	C	E	F	G	H	I	J
LOH080604**	16/16	8.00x6.00x4.00 (203x152.00x102)	P0606	4.88x4.88 (124x124)	10.13 (257)	9.13 (232)	4.00 (102)	2.25 (57)	0.31 (8)	1.56 (40)	0.56 (14)
LOH080806**	16/16	8.00x8.00x6.00 (203x203.00x152)	P0806	6.88x4.88 (175x124)	10.13 (257)	9.13 (232)	4.00 (102)	2.25 (57)	0.31 (8)	1.56 (40)	1.56 (40)
LOH100806	16/16	10.00x8.00x6.00 (254x203x152)	P0808	6.88x6.88 (174x174)	12.13 (308)	11.13 (283)	4.00 (102)	2.25 (57)	0.31 (8)	1.56 (40)	0.56 (14)
LOH121006	16/16	12.00x10.00x6.00 (305x254x152)	P1010	8.88x8.88 (226x226)	14.13 (359)	13.13 (334)	4.00 (102)	2.25 (57)	0.31 (8)	1.56 (40)	0.56 (14)
LOH121206	16/16	12.00x12.00x6.00 (305x305x152)	P1210	10.88x8.88 (276x226)	14.13 (359)	13.13 (334)	4.00 (102)	2.25 (57)	0.31 (8)	1.56 (40)	1.56 (40)
LOH161206	16/16	16.00x12.00x6.00 (406x305x152)	P1412	12.88x10.88 (327x175)	18.13 (461)	17.13 (435)	4.00 (102)	2.25 (57)	0.31 (8)	1.56 (40)	0.56 (14)
LOH161606	14/14	16.00x16.00x6.00 (406x406x152)	NP1616	13.00x13.00 (330x330)	18.13 (461)	17.19 (437)	13.00 (330)	13.00 (330)	0.88 (22)	1.50 (38)	1.50 (38)
LOH201606	14/14	20.00x16.00x6.00 (508x406x152)	NP2016	17.00x13.00 (432x330)	22.19 (564)	21.19 (538)	13.00 (330)	13.00 (330)	0.88 (22)	1.50 (38)	1.50 (38)
LOH202008	14/14	20.00x20.00x8.00 (508x508x203)	NP2020	17.00x17.00 (432x432)	22.19 (564)	21.19 (538)	13.00 (330)	13.00 (330)	0.88 (22)	1.50 (38)	1.50 (38)
LOH242008	14/14	24.00x20.00x8.00 (610x508x203)	NP2420	21.00x17.00 (533x432)	26.19 (665)	25.19 (640)	13.00 (330)	13.00 (330)	0.88 (22)	1.50 (38)	1.50 (38)
LOH242408	14/14	24.00x24.00x8.00 (610x610x203)	NP2424	21.00x21.00 (533x533)	26.19 (665)	25.19 (640)	13.00 (330)	13.00 (330)	0.88 (22)	1.50 (38)	1.50 (38)
LOH302408	14/14	30.00x24.00x8.00 (762x610x203)	NP3024	27.00x21.00 (686x533)	32.19 (818)	21.19 (538)	13.00 (330)	13.00 (330)	0.88 (22)	1.50 (38)	1.50 (38)

*Back panels must be ordered separately. If a back panel is required, an optional panel mounting kit is required. See page B9.

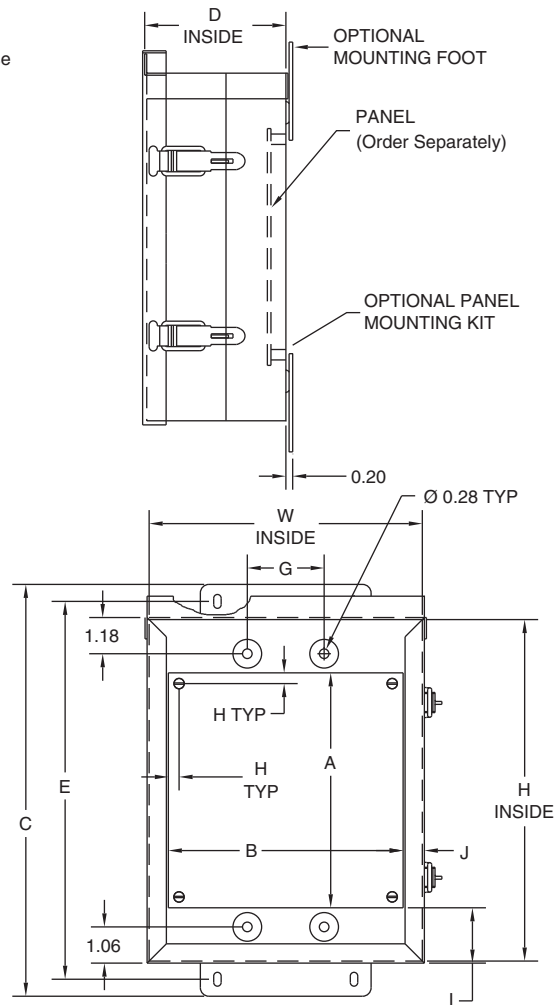
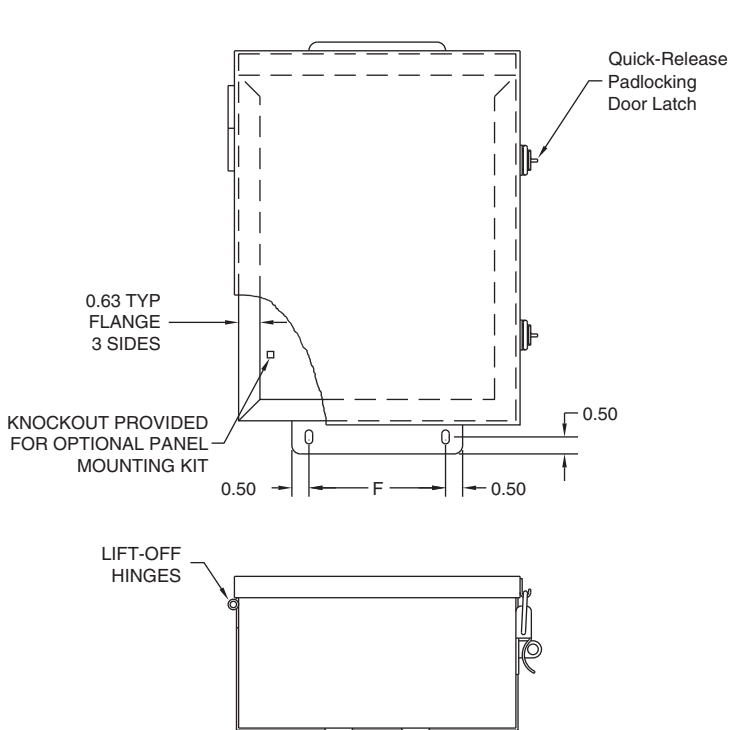
** One draw pull catch.

Note: If mounting feet are required, an optional mounting foot kit is required. See page B9.



PANEL MOUNTING KIT (OPTIONAL)	
CATALOG NUMBER	DESCRIPTION
WAPMK3RL016	Panel Mounting Kit for 16 ga. Enclosures
WAPMK3RL014	Panel Mounting Kit for 14 ga. Enclosures

MOUNTING FOOT KIT (OPTIONAL)				
CATALOG NUMBER	DESCRIPTION	OVERALL WIDTH OF FOOT	GAUGE OF MATERIAL	HOLE SPACING
WAMFK3RL016	Mounting Foot Kit for Enclosures 16x12x6 and smaller	5.00 (127)	14	4.00 (102)
WAMFK3RL014	Mounting Foot Kit for Enclosures 16x16x6 and larger	14.00 (356)	10	13.00 (330)



View With Cover Removed & Panel Installed



WCT242412

Industry Standards

UL 50, Types 1 & 3R
CSA Certified, Type 1 & 3R
NEMA/EEMAC Type 1 & 3R

 UL File E23553

 CSA File LL66078

FEATURES-SPECIFICATIONS

Applications

Designed for use as transformer housings, junction boxes, and service boxes.

Construction

- Drip shield top and smooth seamless sides and front
- A slip-on removable cover is securely fastened with plated screws located along bottom edge

- No gasketing is required
- Mounting holes on back of cabinet
- Door handles provided
- Hasp for padlocking and provisions for meter seal are provided
- For removal of cover, move downward, then outward

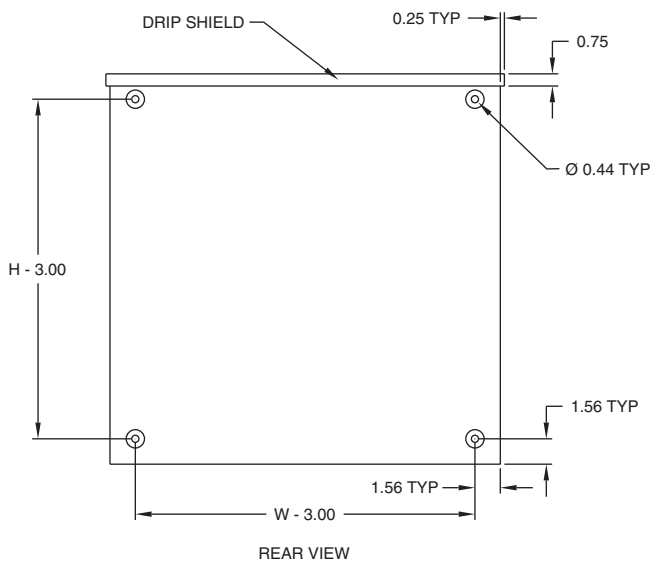
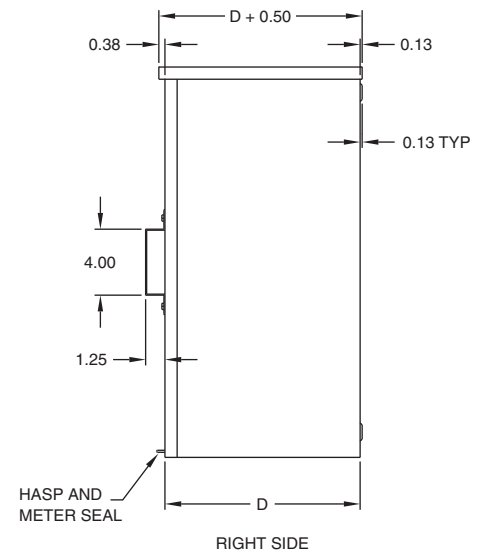
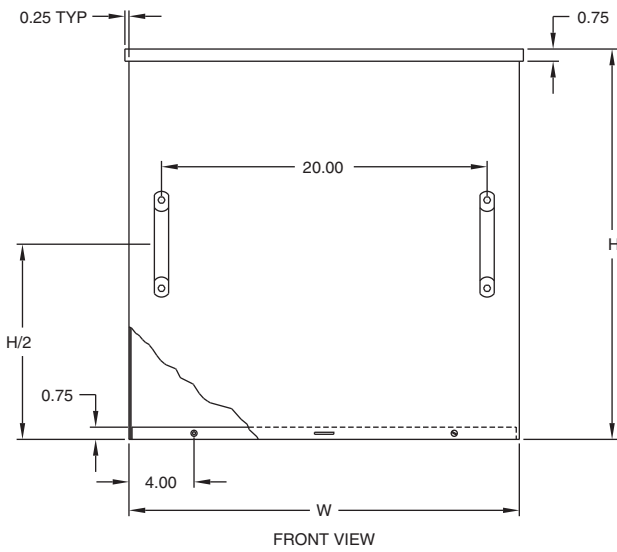
Finish

- ANSI-61 gray polyester powder inside and out

Accessories

- See pages J1-J22

WCT SERIES SCREW COVER ENCLOSURES		
CATALOG NUMBER	BODY/DOOR STEEL GAUGE	ENCLOSURE SIZE H X W X D
WCT242412	14/14	24.00x24.00x12.00 (610x610x305)
WCT303012	12/12	30.00x30.00x12.00 (762x762x305)
WCT363012	12/12	36.00x30.00x12.00 (914x762x305)
WCT363612	12/12	36.00x36.00x12.00 (914x914x305)
WCT483616	12/12	48.00x36.00x16.00 (1220x914x406)





CTSD242412

Industry Standards
UL Listed Type 3R

UL File E23553

CSA File LL66078

FEATURES-SPECIFICATIONS

Applications

Enclosures are designed as a housing for current and voltage transformers, recorders, meters, junction, service box, relay and/or for terminal instrumentation.

Construction

- Manufactured from 14 and 12 gauge carbon steel

- Fully seam welded and ground smooth, with weep hole
- Drip shield
- Lift off hinges, gasketed doors
- Supplied with non-locking 1/4 turn latch
- Meter seal provisions
- Mounting holes in back

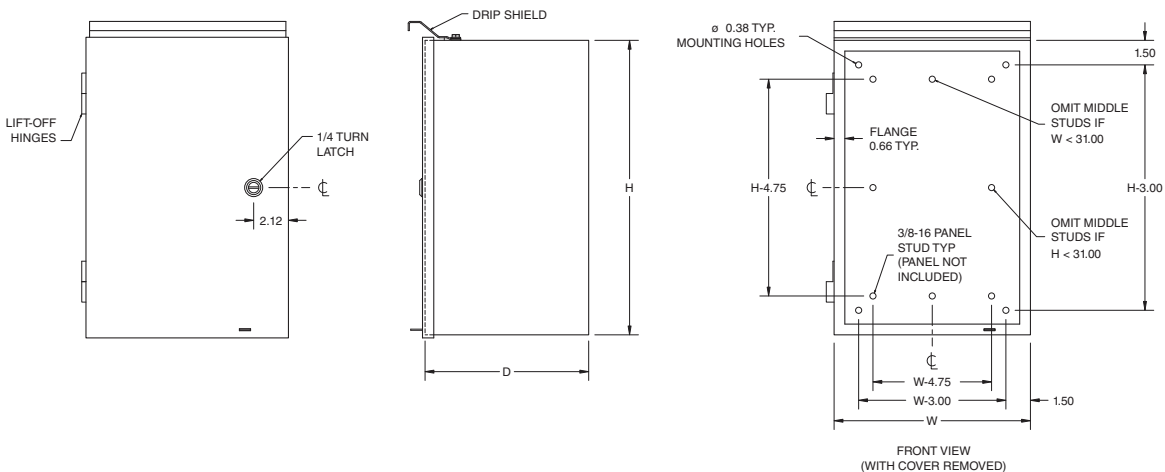
- Supplied with studs in back of enclosure to support optional wood sub panel

Finish

- ANSI 61 polyester powder inside and out

CT SERIES SINGLE DOOR HINGE COVER ENCLOSURES			
CATALOG NUMBER	ENCLOSURE SIZE H X W X D	BODY GAUGE	PANEL CATALOG NUMBER
CTSD121810	18.00x12.00x10.00 (457x305x254)	14	WBP1812
CTSD182410	24.00x18.00x10.00 (610x457x254)	14	WBP2418
CTSD202010	20.00x20.00x10.00 (508x508x254)	14	WBP2020
CTSD202412	24.00x20.00x12.00 (610x508x305)	14	WBP2420
CTSD242412	24.00x24.00x12.00 (610x610x305)	14	WBP2424
CTSD243012	30.00x24.00x12.00 (762x610x305)	14	WBP3024
CTSD243612	36.00x24.00x12.00 (914x610x305)	14	WBP3624
CTSD303612	36.00x30.00x12.00 (914x762x305)	12	WBP3630

NOTE: Second numerical value of catalog # represents height.





CTDD363612

Industry Standards
UL Listed Type 3R

UL File E23553

CSA File LL66078

FEATURES-SPECIFICATIONS

Applications

Enclosures are designed as a housing for current and voltage transformers, recorders, meters, junction, service box, relay and/or for terminal instrumentation.

Construction

- Manufactured from 14 and 12 gauge carbon steel

- Fully seam welded and ground smooth, with weep hole
- Drip shield
- Lift off hinges, gasketed doors
- Supplied with non-locking "T" handle
- Meter seal provisions
- Mounting holes in back

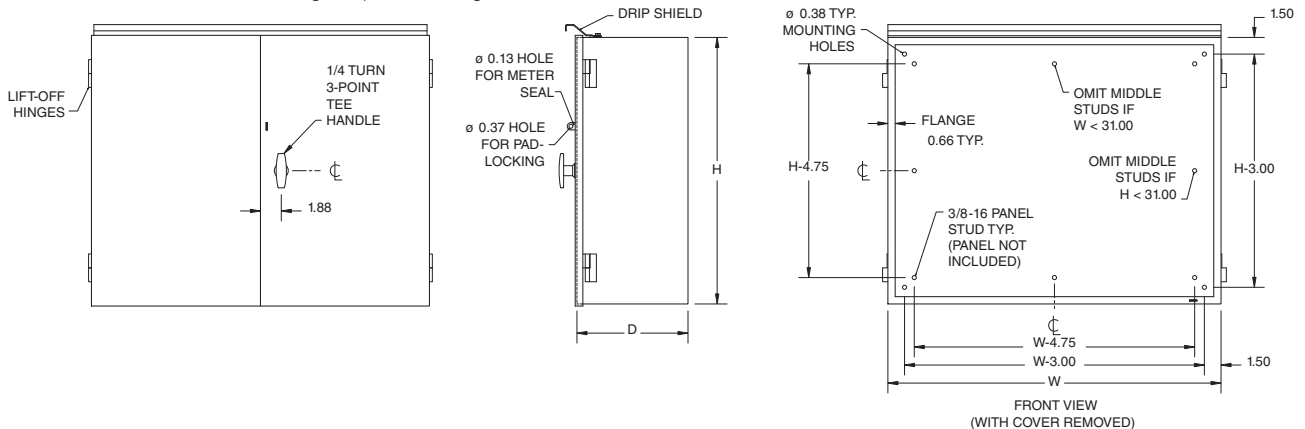
- Supplied with studs in back of enclosure to support optional wood sub panel

Finish

- ANSI 61 polyester powder inside and out

CT SERIES DOUBLE DOOR HINGE COVER ENCLOSURES			
CATALOG NUMBER	ENCLOSURE SIZE H X W X D	BODY GAUGE	PANEL CATALOG NUMBER
CTDD302410	24.00x30.00x10.00 (610x762x254)	14	WBP3024
CTDD303012	30.00x30.00x12.00 (762x762x254)	12	WBP3030DD
CTDD303612	36.00x30.00x12.00 (914x762x254)	12	WBP3630
CTDD362412	24.00x36.00x12.00 (610x914x254)	14	WBP3624
CTDD363012	30.00x36.00x12.00 (762x914x254)	12	WBP3630
CTDD363212	32.00x36.00x12.00 (813x914x254)	12	WBP3236DD
CTDD363612	36.00x36.00x12.00 (914x914x254)	12	WBP3636DD
CTDD363616	36.00x36.00x16.00 (914x914x406)	12	WBP3636DD
CTDD443012	30.00x44.00x12.00 (762x1118x305)	12	WBP3044DD
CTDD424212	42.00x42.00x12.00 (1067x1067x305)	12	WBP4242DD
CTDD484816	48.00x48.00x16.00 (1219x1219x406)	12	WBP4848DD

NOTE: Second numerical value of catalog # represents height.



NOTES

