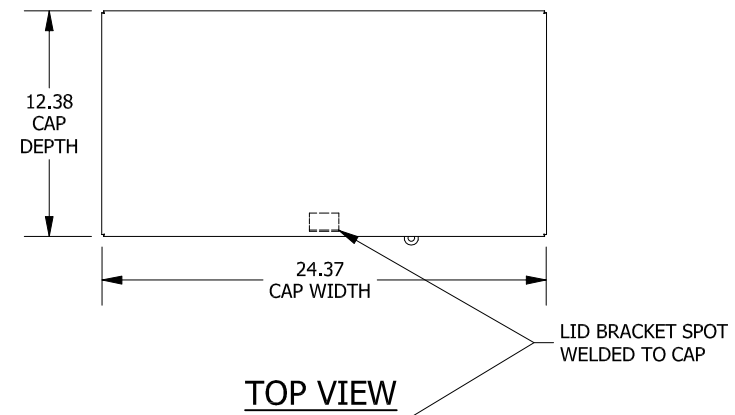
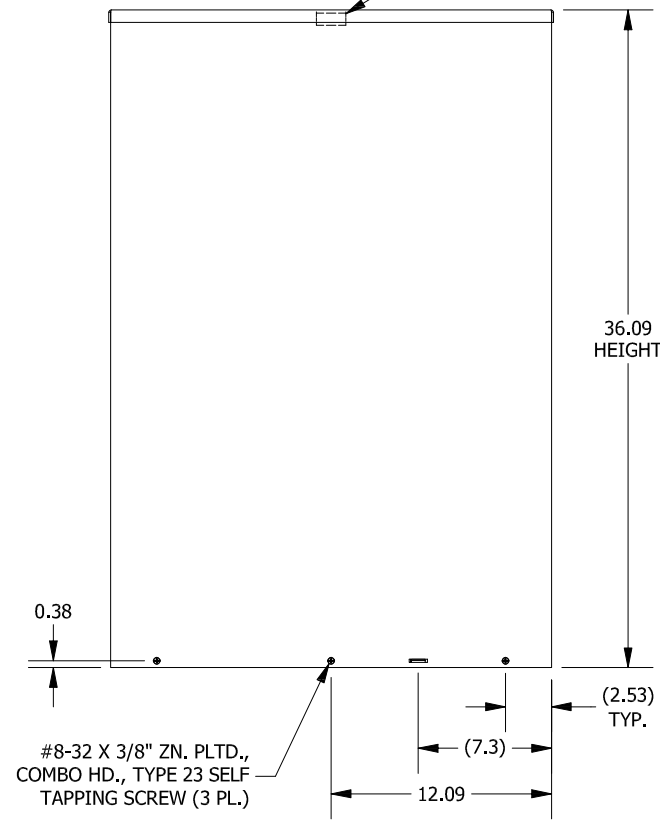


LEFT SIDE VIEW

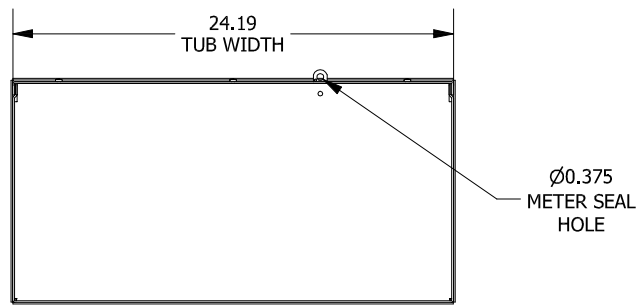


TOP VIEW

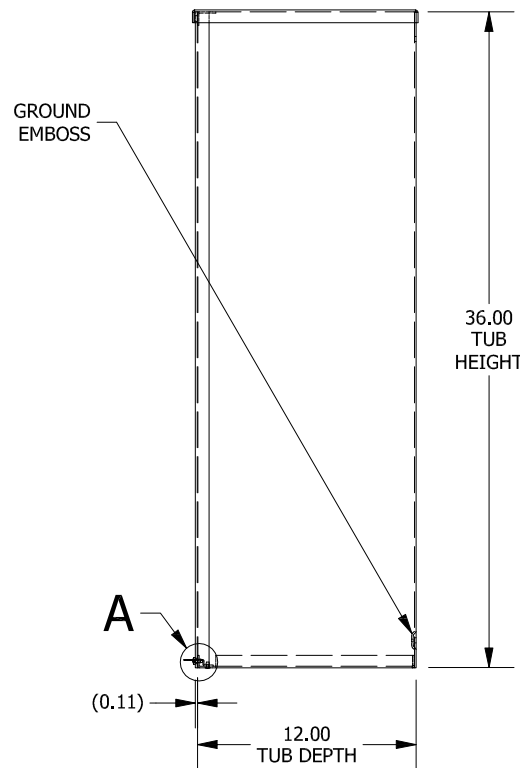


FRONT VIEW

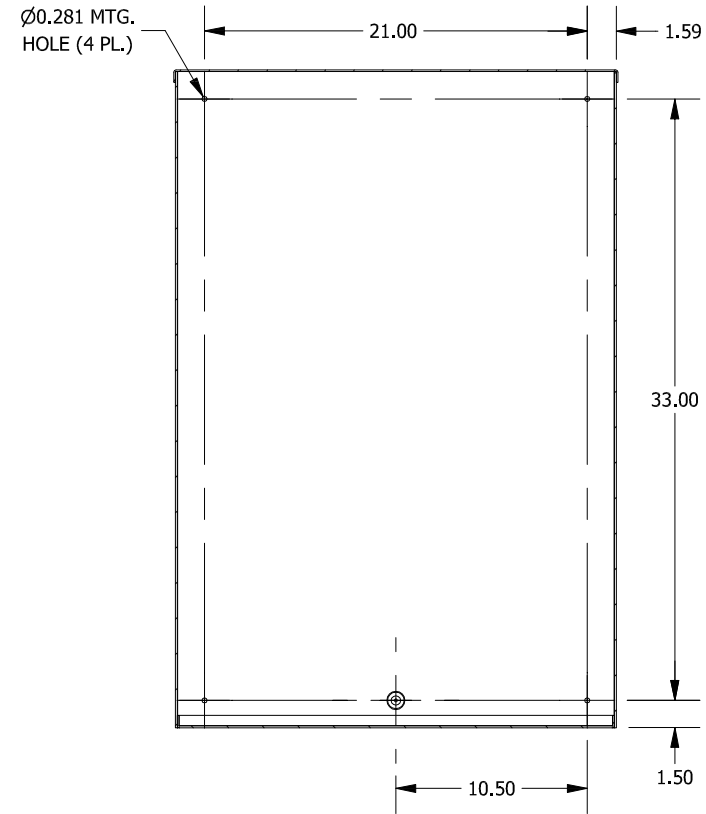
#8-32 X 3/8" ZN. PLTD., COMBO HD., TYPE 23 SELF TAPPING SCREW (3 PL.)



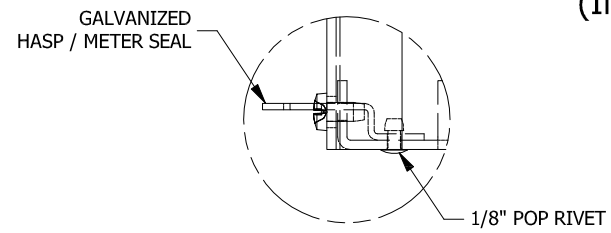
BOTTOM VIEW



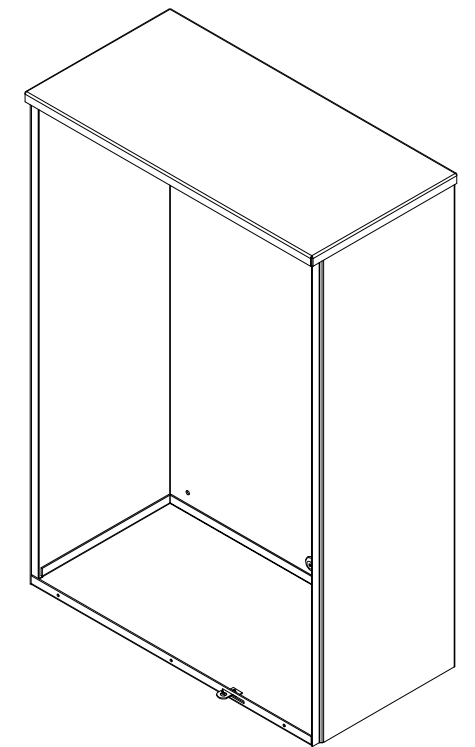
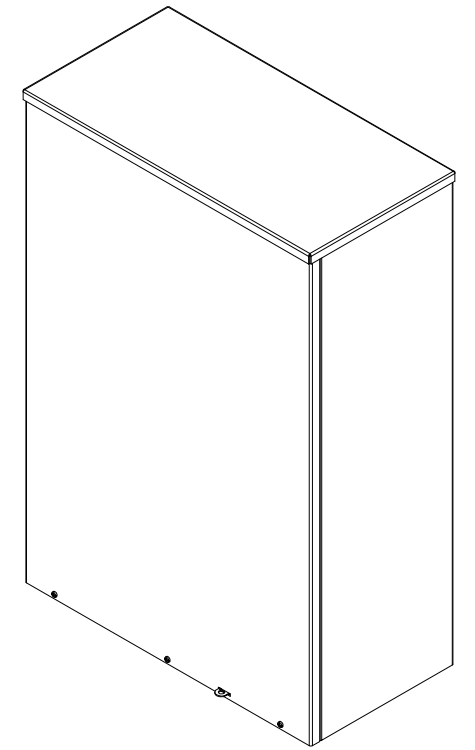
RIGHT SIDE VIEW



SECTION A-A
(INSIDE BACK OF ENCL.)



DETAIL A
(METER SEAL DETAIL)



PART#: RSC243612G
(DATA SUBJECT TO CHANGE WITHOUT NOTICE)

THIS DRAWING IS PROPERTY OF HUBBELL INC. WIEGMANN
ALL INFORMATION IS PROPRIETARY AND NOT TO BE DUPLICATED