


Industry Standards

UL 870

NEMA/EEMAC Type 1

UL Files E32576

CSA File LL66078

FEATURES-SPECIFICATIONS
Applications

Designed to protect electrical wiring in applications where dirt, dust, oil and water are not serious problems. All sections are open on one side so wires and cable can be laid in along an entire wireway run.

A complete selection of sections and fittings is offered in five sizes:

2.50" x 2.50" (64 x 64)
4.00" x 4.00" (102 x 102)
6.00" x 6.00" (152 x 152)
8.00" x 8.00" (203 x 203)
10.00" x 10.00" (255 x 255)*
12.00" x 12.00" (305 x 305)**

Construction

- 2.50" x 2.50" (64 x 64), 4.00" x 4.00" (102 x 102) 6.00" x 6.00" (152 x 152) bodies and covers are fabricated from 16 gauge steel
- 8.00" x 8.00" (203 x 203), 10.00" x 10.00" (255 x 255), 12.00" x 12.00" (305 x 305) bodies and covers are fabricated from 14 gauge steel
- Available with or without knockouts in all sizes except the 10.00" x 10.00" (255 x 255) and 12.00" x 12.00" (305 x 305) which are available without knockouts only (See knockout pattern chart)

- HS Series combination hinge/screw cover design offers easy access to open top for "lay-in" of wireway. Screws do not need to be removed to open top
- S Series screw cover design covers held firmly in place with captivated screw fasteners
- Straight sections with knockouts are provided on side walls on wireways

Finish

- ANSI 61 gray polyester powder inside and out over phosphatized surfaces
- Pre-galvanized steel is unpainted

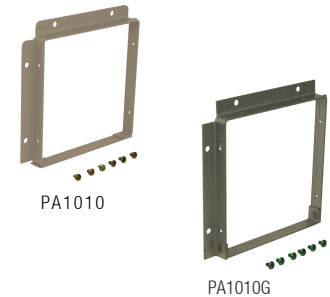
HS & S SERIES WIREWAYS (STRAIGHT SECTIONS)										
CATALOG NUMBER										LENGTH
2.50 x 2.50 (64 x 64)		4.00 x 4.00 (102 x 102)		6.00 x 6.00 (152 x 152)		8.00 x 8.00 (203 x 203)		10.00 x 10.00* (254 x 254)	12.00 x 12.00** (305 x 305)	
WITH KNOCKOUTS	WITHOUT KNOCKOUTS	WITH KNOCKOUTS	WITHOUT KNOCKOUTS	WITH KNOCKOUTS	WITHOUT KNOCKOUTS	WITH KNOCKOUTS	WITHOUT KNOCKOUTS	WITHOUT KNOCKOUTS	WITHOUT KNOCKOUTS	
HINGE COVER										
HS221	HS221NK	HS441	HS441NK	HS661	HS661NK	HS881	HS881NK	—	HS12121NK	12.00" (305)
HS222	HS222NK	HS442	HS442NK	HS662	HS662NK	HS882	HS882NK	—	HS12122NK	24.00" (610)
HS223	HS223NK	HS443	HS443NK	HS663	HS663NK	HS883	HS883NK	—	HS12123NK	36.00" (914)
HS224	HS224NK	HS444	HS444NK	HS664	HS664NK	HS884	HS884NK	—	HS12124NK	48.00" (1219)
HS225	HS225NK	HS445	HS445NK	HS665	HS665NK	HS885	HS885NK	—	HS12125NK	60.00" (1524)
HS226	HS226NK	HS446	HS446NK	HS666	HS666NK	HS886	HS886NK	—	HS12126NK	72.00" (1829)
HS2210	HS2210NK	HS4410	HS4410NK	HS6610	HS6610NK	HS8810	HS8810NK	—	HS121210NK	120.00" (3048)
SCREW COVER										
S2212	S2212NK	S4412	S4412NK	S6612	S6612NK	S8812	S8812NK	S101012NK	S121212NK	12.00" (305)
S2224	S2224NK	S4424	S4424NK	S6624	S6624NK	S8824	S8824NK	S101024NK	S121224NK	24.00" (610)
S2236	S2236NK	S4436	S4436NK	S6636	S6636NK	S8836	S8836NK	S101036NK	S121236NK	36.00" (914)
S2248	S2248NK	S4448	S4448NK	S6648	S6648NK	S8848	S8848NK	S101048NK	S121248NK	48.00" (1219)
S2260	S2260NK	S4460	S4460NK	S6660	S6660NK	S8860	S8860NK	S101060NK	S121260NK	60.00" (1524)
S2272	S2272NK	S4472	S4472NK	S6672	S6672NK	S8872	S8872NK	S101072NK	S121272NK	72.00" (1829)
S22120	S22120NK	S44120	S44120NK	S66120	S66120NK	S88120	S88120NK	S1010120NK	S1212120NK	120.00" (3048)
S SERIES WIREWAYS (STRAIGHT SECTION) GALVANIZED										
S2212G	S2212GNK	S4412G	S4412GNK	S6612G	S6612GNK	S8812G	S8812GNK	S101012GNK	S121212GNK	12.00" (305)
S2224G	S2224GNK	S4424G	S4424GNK	S6624G	S6624GNK	S8824G	S8824GNK	S101024GNK	S121224GNK	24.00" (610)
S2236G	S2236GNK	S4436G	S4436GNK	S6636G	S6636GNK	S8836G	S8836GNK	S101036GNK	S121236GNK	36.00" (914)
S2248G	S2248GNK	S4448G	S4448GNK	S6648G	S6648GNK	S8848G	S8848GNK	S101048GNK	S121248GNK	48.00" (1219)
S2260G	S2260GNK	S4460G	S4460GNK	S6660G	S6660GNK	S8860G	S8860GNK	S101060GNK	S121260GNK	60.00" (1524)
S2272G	S2272GNK	S4472G	S4472GNK	S6672G	S6672GNK	S8872G	S8872GNK	S101072GNK	S121272GNK	72.00" (1829)
S22120G	S22120GNK	S44120G	S44120GNK	S66120G	S66120GNK	S88120G	S88120GNK	S1010120GNK	S1212120GNK	120.00" (3048)

* 10" x 10" S SERIES only. Not UL listed. (Consult factory for dimensions and drawings for 10" x 10" wireway straight sections.)

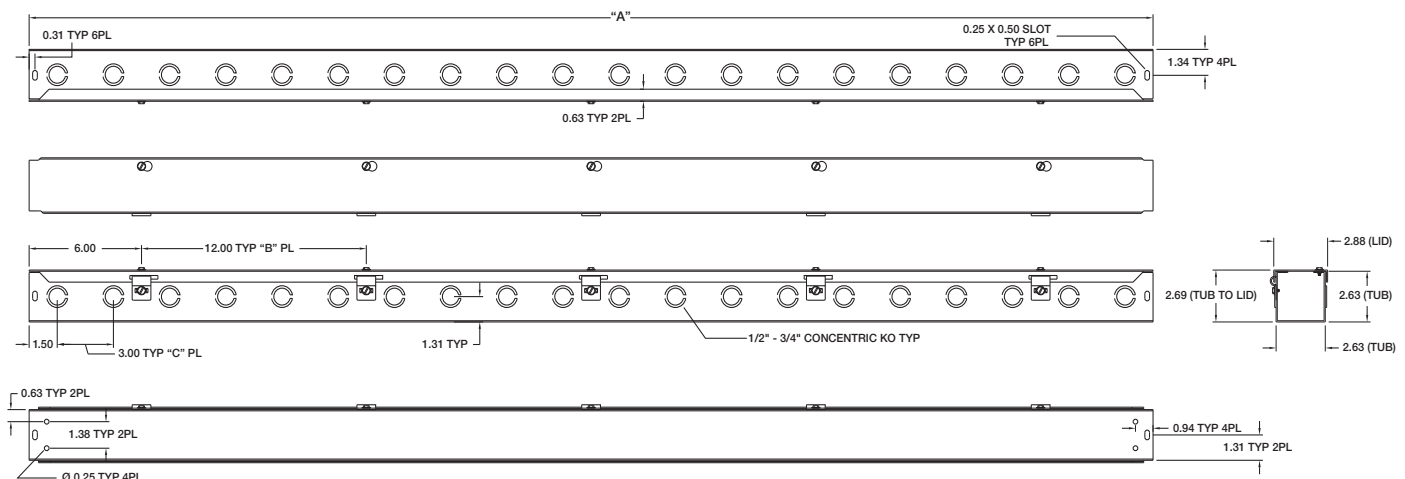
** 12" x 12" not UL Listed. (Consult factory for dimensions and drawings for 12" x 12" wireway straight sections.)

HS & S SERIES WIREWAY ACCESSORIES						
CATALOG NUMBER						DESCRIPTION
2.50 x 2.50 (64 x 64)	4.00 x 4.00 (102 x 102)	6.00 x 6.00 (152 x 152)	8.00 x 8.00 (203 x 203)	10.00 x 10.00* (254 x 254)	12.00 x 12.00* (305 x 305)	
—	E0404	E0606	E0808	—	—	End caps (with knockouts)
E0202NK	—	—	—	E1010NK	E1212NK	End caps (without knockouts)
T0202	T0404	T0606	T0808	T1010	T1212	Tee
X0202	X0404	X0606	X0808	X1010	X1212	Cross
AF0202	AF0404	AF0606	AF0808	AF1010	AF1212	Telescope
C0202	C0404	C0606	C0808	C1010	C1212	Connectors
PA0202	PA0404	PA0606	PA0808	PA1010	PA1212	Panel-Adapter
BH0202	BH0404	BH0606	BH0808	BH1010	BH1212	Bracket Hanger
—	R0402	R0604	R0806	R1008	R1208	Reducer
SL020290	SL040490	SL060690	SL080890	SL101090	SL121290	Sweep Elbow – 90°
L020290	L040490	L060690	L080890	L101090	L121290	Elbow – 90°
L020245	L040445	L060645	L080845	L101045	L121245	Elbow – 45°
S SERIES ACCESSORIES (GALVANIZED)						
—	E0404G	E0606G	E0808G	—	—	End caps (without knockouts)
E0202GNK	—	—	—	E1010GNK	E1212GNK	End caps (with knockouts)
T0202G	T0404G	T0606G	T0808G	T1010G	T1212G	Galvanized Tee
X0202G	X0404G	X0606G	X0808G	X1010G	X1212G	Galvanized Cross
AF0202G	AF0404G	AF0606G	AF0808G	AF1010G	AF1212G	Galvanized Telescope
C0202G	C0404G	C0606G	C0808G	C1010G	C1212G	Galvanized Connectors
PA0202G	PA0404G	PA0606G	PA0808G	PA1010G	PA1212G	Galvanized Panel-Adapter
BH0202G	BH0404G	BH0606G	BH0808G	BH1010G	BH1212G	Galvanized Bracket Hanger
—	R0402G	R0604G	R0806G	R1008G	R1208G	Galvanized Reducer
SL020290G	SL040490G	SL060690G	SL080890G	SL101090G	SL121290G	Galvanized Sweep Elbow – 90°
L020290G	L040490G	L060690G	L080890G	L101090G	L121290G	Galvanized Elbow – 90°
L020245G	L040445G	L060645G	L080845G	L101045G	L121245G	Galvanized Elbow – 45°

HS SERIES 2" STRAIGHT SECTION DIMENSIONS			
CATALOG NUMBER	A	B	C
HS221 & HS221NK	12.00 (300)	—	3.00 (75)
HS222 & HS222NK	24.00 (600)	1.00 (25)	7.00 (175)
HS223 & HS223NK	36.00 (900)	2.00 (50)	11.00 (275)
HS224 & HS224NK	48.00 (1200)	3.00 (75)	15.00 (375)
HS225 & HS225NK	60.00 (1500)	4.00 (100)	19.00 (475)
HS226 & HS226NK	72.00 (1800)	5.00 (125)	23.00 (575)
HS2210 & HS2210NK	120.00 (3000)	9.00 (225)	39.00 (975)



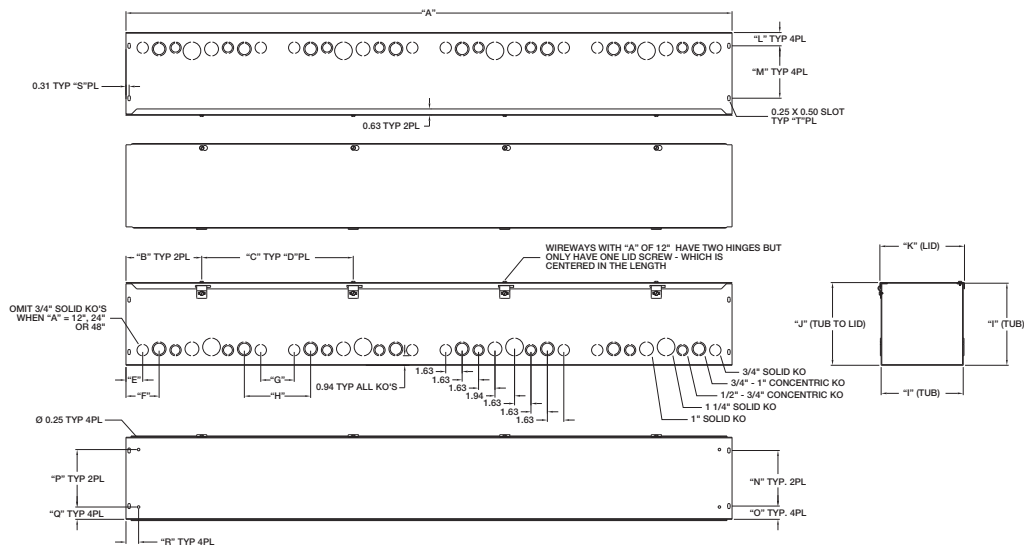
NK = No Knockouts



HS SERIES 2" STRAIGHT SECTION DIMENSIONS

HS SERIES 4", 6", AND 8" STRAIGHT SECTION DIMENSIONS																				
CATALOG NUMBER	A	B	C	D	E	F	G	H	I	J	K	L	M	N	O	P	Q	R	S	T
HS441 & HS441NK	12.00 (300)	3.00 (75)	6.00 (150)	—	—	1.78 (45)	—	—	4.12 (103)	4.19 (105)	4.38 (110)	2.44 (61)	—	—	2.06 (52)	2.69 (67)	.72 (18)	.94 (24)	6.00 (150)	6.00 (150)
HS442 & HS442NK	24.00 (600)	6.00 (150)	12.00 (300)	—	—	1.78 (45)	—	6.56 (164)	4.12 (103)	4.19 (105)	4.38 (110)	2.44 (61)	—	—	2.06 (52)	2.69 (67)	.72 (18)	.94 (24)	6.00 (150)	6.00 (150)
HS443 & HS443NK	36.00 (900)	9.00 (225)	18.00 (450)	—	3.16 (79)	—	6.31 (158)	—	4.12 (103)	4.19 (105)	4.38 (110)	2.44 (61)	—	—	2.06 (52)	2.69 (67)	.72 (18)	.94 (24)	6.00 (150)	6.00 (150)
HS444 & HS444NK	48.00 (1200)	6.00 (150)	12.00 (300)	3.00 (75)	—	1.78 (45)	—	6.56 (164)	4.12 (103)	4.19 (105)	4.38 (110)	2.44 (61)	—	—	2.06 (52)	2.69 (67)	.72 (18)	.94 (24)	6.00 (150)	6.00 (150)
HS445 & HS445NK	60.00 (1500)	7.50 (188)	15.00 (375)	3.00 (75)	1.66 (42)	—	3.31 (83)	—	4.12 (103)	4.19 (105)	4.38 (110)	2.44 (61)	—	—	2.06 (52)	2.69 (67)	.72 (18)	.94 (24)	6.00 (150)	6.00 (150)
HS446 & HS446NK	72.00 (1800)	9.00 (225)	18.00 (450)	3.00 (75)	3.16 (79)	—	6.31 (158)	—	4.12 (103)	4.19 (105)	4.38 (110)	2.44 (61)	—	—	2.06 (52)	2.69 (67)	.72 (18)	.94 (24)	6.00 (150)	6.00 (150)
HS4410 & HS4410NK	120.00 (3000)	7.50 (188)	15.00 (375)	7.00 (175)	1.66 (42)	—	3.31 (83)	—	4.12 (103)	4.19 (105)	4.38 (110)	2.44 (61)	—	—	2.06 (52)	2.69 (67)	.72 (18)	.94 (24)	6.00 (150)	6.00 (150)
HS661 & HS661NK	12.00 (300)	3.00 (75)	6.00 (150)	—	—	1.78 (45)	—	—	6.12 (153)	6.19 (155)	6.38 (160)	1.34 (34)	3.53 (88)	3.56 (89)	1.28 (52)	3.75 (67)	1.19 (18)	1.12 (24)	12.00 (150)	12.00 (150)
HS662 & HS662NK	24.00 (600)	6.00 (150)	12.00 (300)	—	—	1.78 (45)	—	6.56 (164)	6.12 (153)	6.19 (155)	6.38 (160)	1.34 (34)	3.53 (88)	3.56 (89)	1.28 (52)	3.75 (67)	1.19 (18)	1.12 (24)	12.00 (150)	12.00 (150)
HS663 & HS663NK	36.00 (900)	9.00 (225)	18.00 (450)	—	3.16 (79)	—	6.31 (158)	—	6.12 (153)	6.19 (155)	6.38 (160)	1.34 (34)	3.53 (88)	3.56 (89)	1.28 (52)	3.75 (67)	1.19 (18)	1.12 (24)	12.00 (150)	12.00 (150)
HS664 & HS664NK	48.00 (1200)	6.00 (150)	12.00 (300)	3.00 (75)	—	1.78 (45)	—	6.56 (164)	6.12 (153)	6.19 (155)	6.38 (160)	1.34 (34)	3.53 (88)	3.56 (89)	1.28 (52)	3.75 (67)	1.19 (18)	1.12 (24)	12.00 (150)	12.00 (150)
HS665 & HS665NK	60.00 (1500)	7.50 (188)	15.00 (375)	3.00 (75)	1.66 (42)	—	3.31 (83)	—	6.12 (153)	6.19 (155)	6.38 (160)	1.34 (34)	3.53 (88)	3.56 (89)	1.28 (52)	3.75 (67)	1.19 (18)	1.12 (24)	12.00 (150)	12.00 (150)
HS666 & HS666NK	72.00 (1800)	9.00 (225)	18.00 (450)	3.00 (75)	3.16 (79)	—	6.31 (158)	—	6.12 (153)	6.19 (155)	6.38 (160)	1.34 (34)	3.53 (88)	3.56 (89)	1.28 (52)	3.75 (67)	1.19 (18)	1.12 (24)	12.00 (150)	12.00 (150)
HS6610 & HS6610NK	120.00 (3000)	7.50 (188)	15.00 (375)	7.00 (175)	1.66 (42)	—	3.31 (83)	—	6.12 (153)	6.19 (155)	6.38 (160)	1.34 (34)	3.53 (88)	3.56 (89)	1.28 (52)	3.75 (67)	1.19 (18)	1.12 (24)	12.00 (150)	12.00 (150)
HS881 & HS881NK	12.00 (300)	3.00 (75)	6.00 (150)	—	—	1.78 (45)	—	—	8.12 (203)	8.19 (205)	8.38 (210)	1.31 (34)	5.19 (88)	5.50 (89)	1.31 (52)	1.69 (67)	1.22 (18)	1.25 (24)	12.00 (150)	12.00 (150)
HS882 & HS882NK	24.00 (600)	6.00 (150)	12.00 (300)	—	—	1.78 (45)	—	6.56 (164)	8.12 (203)	8.19 (205)	8.38 (210)	1.31 (34)	5.19 (88)	5.50 (89)	1.31 (52)	1.69 (67)	1.22 (18)	1.25 (24)	12.00 (150)	12.00 (150)
HS883 & HS883NK	36.00 (900)	9.00 (225)	18.00 (450)	—	3.16 (79)	—	6.31 (158)	—	8.12 (203)	8.19 (205)	8.38 (210)	1.31 (34)	5.19 (88)	5.50 (89)	1.31 (52)	1.69 (67)	1.22 (18)	1.25 (24)	12.00 (150)	12.00 (150)
HS884 & HS884NK	48.00 (1200)	6.00 (150)	12.00 (300)	3.00 (75)	—	1.78 (45)	—	6.56 (164)	8.12 (203)	8.19 (205)	8.38 (210)	1.31 (34)	5.19 (88)	5.50 (89)	1.31 (52)	1.69 (67)	1.22 (18)	1.25 (24)	12.00 (150)	12.00 (150)
HS885 & HS885NK	60.00 (1500)	7.50 (188)	15.00 (375)	3.00 (75)	1.66 (42)	—	3.31 (83)	—	8.12 (203)	8.19 (205)	8.38 (210)	1.31 (34)	5.19 (88)	5.50 (89)	1.31 (52)	1.69 (67)	1.22 (18)	1.25 (24)	12.00 (150)	12.00 (150)
HS886 & HS886NK	72.00 (1800)	9.00 (225)	18.00 (450)	3.00 (75)	3.16 (79)	—	6.31 (158)	—	8.12 (203)	8.19 (205)	8.38 (210)	1.31 (34)	5.19 (88)	5.50 (89)	1.31 (52)	1.69 (67)	1.22 (18)	1.25 (24)	12.00 (150)	12.00 (150)
HS8810 & HS8810NK	120.00 (3000)	7.50 (188)	15.00 (375)	7.00 (175)	1.66 (42)	—	3.31 (83)	—	8.12 (203)	8.19 (205)	8.38 (210)	1.31 (34)	5.19 (88)	5.50 (89)	1.31 (52)	1.69 (67)	1.22 (18)	1.25 (24)	12.00 (150)	12.00 (150)

NK = No Knockouts

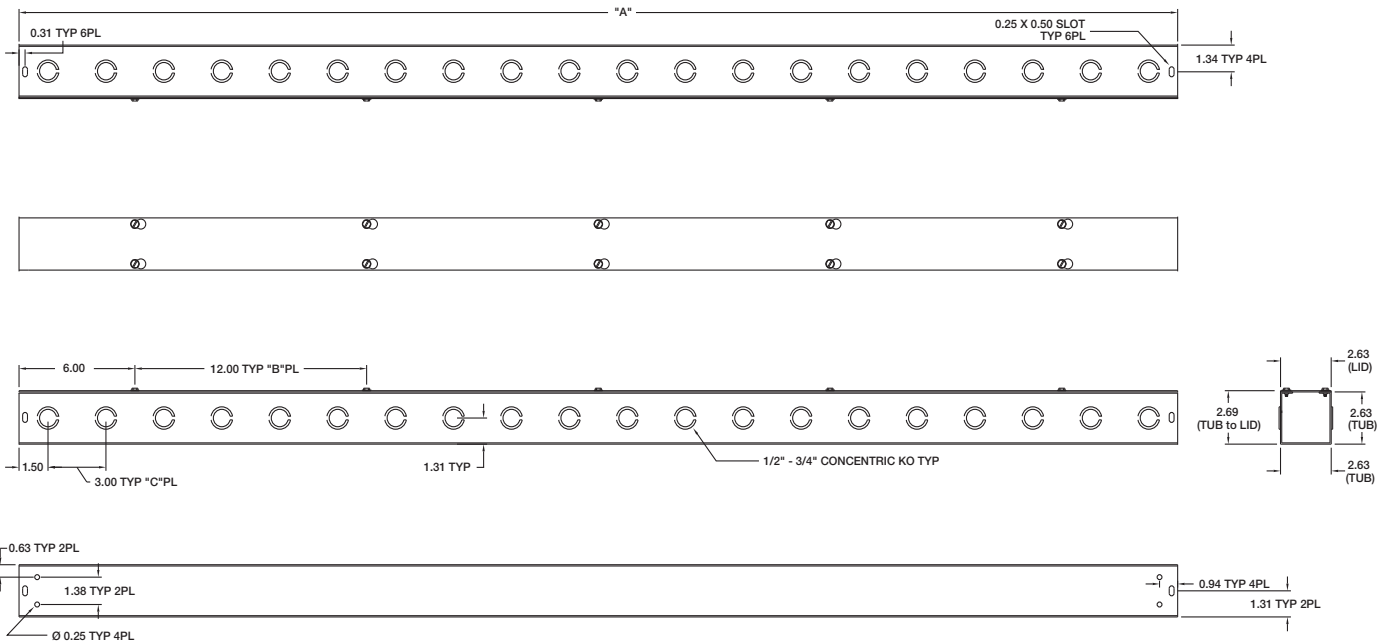


HS SERIES 4", 6" AND 8" STRAIGHT SECTION DIMENSIONS

S SERIES 2" STRAIGHT SECTION DIMENSIONS

CATALOG NUMBER	A	B	C
S2212, S2212NK, S2212G AND S2212GNK	12.00 (300)	—	3.00 (75)
S2224, S2224NK, S2224G AND S2224GNK	24.00 (600)	1.00 (25)	7.00 (175)
S2236, S2236NK, S2236G AND S2236GNK	36.00 (900)	2.00 (50)	11.00 (275)
S2248, S2248NK, S2248G AND S2248GNK	48.00 (1200)	3.00 (75)	15.00 (375)
S2260, S2260NK, S2260G AND S2260GNK	60.00 (1500)	4.00 (100)	19.00 (475)
S2272, S2272NK, S2272G AND S2272GNK	72.00 (1800)	5.00 (125)	23.00 (575)
S22120, S22120NK, S22120G AND S22120GNK	120.00 (3000)	9.00 (225)	39.00 (975)

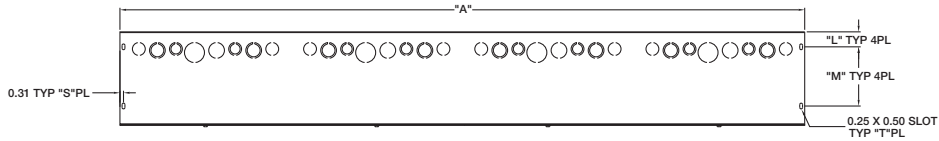
NK = No Knockouts



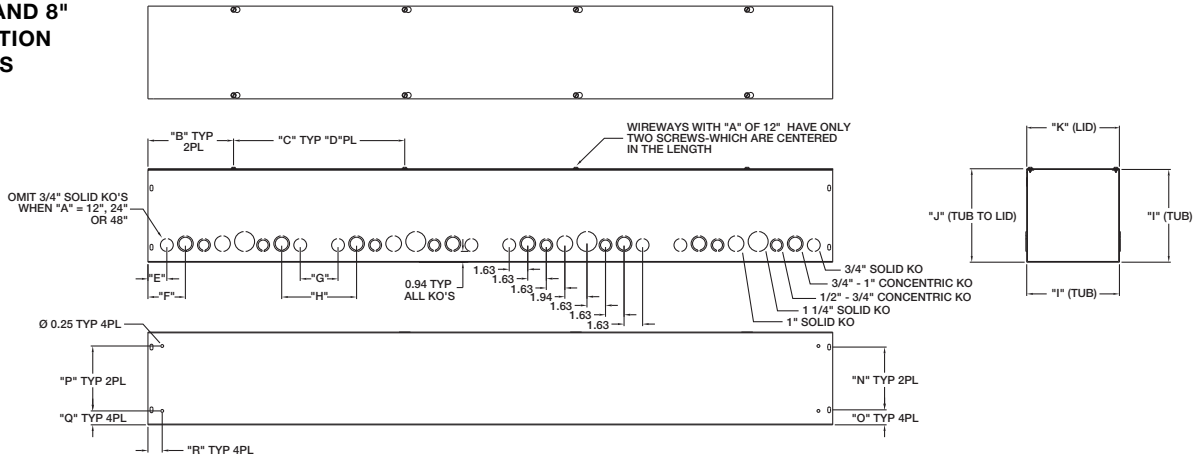
S SERIES 2" STRAIGHT SECTION DIMENSIONS

S SERIES 4", 6", AND 8" STRAIGHT SECTION DIMENSIONS																				
CATALOG NUMBER	A	B	C	D	E	F*	G*	H*	I	J	K	L	M	N	O	P	Q	R	S	T
S4412, S4412G, S4412NK & S4412GNK	12.00 (300)	3.00 (75)	6.00 (150)	—	—	1.78 (45)	—	—	4.12 (103)	4.19 (105)	3.19 (80)	2.44 (61)	—	—	2.06 (52)	2.69 (67)	.72 (18)	.94 (24)	6.00 (150)	6.00 (150)
S4424, S4424G, S4424NK & S4424GNK	24.00 (600)	6.00 (150)	12.00 (300)	—	—	1.78 (45)	—	3.56 (89)	4.12 (103)	4.19 (105)	3.19 (80)	2.44 (61)	—	—	2.06 (52)	2.69 (67)	.72 (18)	.94 (24)	6.00 (150)	6.00 (150)
S4436, S4436G, S4436NK & S4436GNK	36.00 (900)	9.00 (225)	18.00 (450)	—	3.16 (79)	—	6.31 (158)	—	4.12 (103)	4.19 (105)	3.19 (80)	2.44 (61)	—	—	2.06 (52)	2.69 (67)	.72 (18)	.94 (24)	6.00 (150)	6.00 (150)
S4448, S4448G, S4448NK & S4448GNK	48.00 (1200)	6.00 (150)	12.00 (300)	3.00 (75)	—	1.78 (45)	—	3.56 (89)	4.12 (103)	4.19 (105)	3.19 (80)	2.44 (61)	—	—	2.06 (52)	2.69 (67)	.72 (18)	.94 (24)	6.00 (150)	6.00 (150)
S4460, S4460G, S4460NK & S4460GNK	60.00 (1500)	7.50 (188)	15.00 (375)	3.00 (75)	1.66 (42)	—	3.31 (83)	—	4.12 (103)	4.19 (105)	3.19 (80)	2.44 (61)	—	—	2.06 (52)	2.69 (67)	.72 (18)	.94 (24)	6.00 (150)	6.00 (150)
S4472, S4472G, S4472NK & S4472GNK	72.00 (1800)	9.00 (225)	18.00 (450)	3.00 (75)	3.16 (79)	—	6.31 (158)	—	4.12 (103)	4.19 (105)	3.19 (80)	2.44 (61)	—	—	2.06 (52)	2.69 (67)	.72 (18)	.94 (24)	6.00 (150)	6.00 (150)
S44120, S44120G, S44120NK & S44120GNK	120.00 (3000)	7.50 (188)	15.00 (375)	7.00 (175)	1.66 (42)	—	3.31 (83)	—	4.12 (103)	4.19 (105)	3.19 (80)	2.44 (61)	—	—	2.06 (52)	2.69 (67)	.72 (18)	.94 (24)	6.00 (150)	6.00 (150)
S6612, S6612G, S6612NK & S6612GNK	12.00 (300)	3.00 (75)	6.00 (150)	—	—	1.78 (45)	—	—	6.12 (153)	6.19 (155)	5.19 (130)	1.34 (34)	3.53 (88)	3.56 (89)	1.28 (52)	3.75 (67)	1.19 (18)	1.12 (24)	12.00 (150)	12.00 (150)
S6624, S6624G, S6624NK & S6624GNK	24.00 (600)	6.00 (150)	12.00 (300)	—	—	1.78 (45)	—	3.56 (89)	6.12 (153)	6.19 (155)	5.19 (130)	1.34 (34)	3.53 (88)	3.56 (89)	1.28 (52)	3.75 (67)	1.19 (18)	1.12 (24)	12.00 (150)	12.00 (150)
S6636, S6636G, S6636NK & S6636GNK	36.00 (900)	9.00 (225)	18.00 (450)	—	3.16 (79)	—	6.31 (158)	—	6.12 (153)	6.19 (155)	5.19 (130)	1.34 (34)	3.53 (88)	3.56 (89)	1.28 (52)	3.75 (67)	1.19 (18)	1.12 (24)	12.00 (150)	12.00 (150)
S6648, S6648G, S6648NK & S6648GNK	48.00 (1200)	6.00 (150)	12.00 (300)	3.00 (75)	—	1.78 (45)	—	3.56 (89)	6.12 (153)	6.19 (155)	5.19 (130)	1.34 (34)	3.53 (88)	3.56 (89)	1.28 (52)	3.75 (67)	1.19 (18)	1.12 (24)	12.00 (150)	12.00 (150)
S6660, S6660G, S6660NK & S6660GNK	60.00 (1500)	7.50 (188)	15.00 (375)	3.00 (75)	1.66 (42)	—	3.31 (83)	—	6.12 (153)	6.19 (155)	5.19 (130)	1.34 (34)	3.53 (88)	3.56 (89)	1.28 (52)	3.75 (67)	1.19 (18)	1.12 (24)	12.00 (150)	12.00 (150)
S6672, S6672G, S6672NK & S6672GNK	72.00 (1800)	9.00 (225)	18.00 (450)	3.00 (75)	3.16 (79)	—	6.31 (158)	—	6.12 (153)	6.19 (155)	5.19 (130)	1.34 (34)	3.53 (88)	3.56 (89)	1.28 (52)	3.75 (67)	1.19 (18)	1.12 (24)	12.00 (150)	12.00 (150)
S88120, S88120G, S66120NK & S66120GNK	120.00 (3000)	7.50 (188)	15.00 (375)	7.00 (175)	1.66 (42)	—	3.31 (83)	—	6.12 (153)	6.19 (155)	5.19 (130)	1.34 (34)	3.53 (88)	3.56 (89)	1.28 (52)	3.75 (67)	1.19 (18)	1.12 (24)	12.00 (150)	12.00 (150)
S8812, S8812G, S8812NK & S8812GNK	12.00 (300)	3.00 (75)	6.00 (150)	—	—	1.78 (45)	—	—	8.12 (203)	8.19 (205)	7.94 (199)	1.31 (34)	5.19 (88)	5.50 (89)	1.31 (52)	1.69 (67)	1.22 (18)	1.25 (24)	12.00 (150)	12.00 (150)
S8824, S8824G, S8824NK & S8824GNK	24.00 (600)	6.00 (150)	12.00 (300)	—	—	1.78 (45)	—	3.56 (89)	8.12 (203)	8.19 (205)	7.94 (199)	1.31 (34)	5.19 (88)	5.50 (89)	1.31 (52)	1.69 (67)	1.22 (18)	1.25 (24)	12.00 (150)	12.00 (150)
S8836, S8836G, S8836NK & S8836GNK	36.00 (900)	9.00 (225)	18.00 (450)	—	3.16 (79)	—	6.31 (158)	—	8.12 (203)	8.19 (205)	7.94 (199)	1.31 (34)	5.19 (88)	5.50 (89)	1.31 (52)	1.69 (67)	1.22 (18)	1.25 (24)	12.00 (150)	12.00 (150)
S8848, S8848G, S8848NK & S8848GNK	48.00 (1200)	6.00 (150)	12.00 (300)	3.00 (75)	—	1.78 (45)	—	3.56 (89)	8.12 (203)	8.19 (205)	7.94 (199)	1.31 (34)	5.19 (88)	5.50 (89)	1.31 (52)	1.69 (67)	1.22 (18)	1.25 (24)	12.00 (150)	12.00 (150)
S8860, S8860G, S8860NK & S8860GNK	60.00 (1500)	7.50 (188)	15.00 (375)	3.00 (75)	1.66 (42)	—	3.31 (83)	—	8.12 (203)	8.19 (205)	7.94 (199)	1.31 (34)	5.19 (88)	5.50 (89)	1.31 (52)	1.69 (67)	1.22 (18)	1.25 (24)	12.00 (150)	12.00 (150)
S8872, S8872G, S8872NK & S8872GNK	72.00 (1800)	9.00 (225)	18.00 (450)	3.00 (75)	3.16 (79)	—	6.31 (158)	—	8.12 (203)	8.19 (205)	7.94 (199)	1.31 (34)	5.19 (88)	5.50 (89)	1.31 (52)	1.69 (67)	1.22 (18)	1.25 (24)	12.00 (150)	12.00 (150)
S88120, S88120G, S88120NK & S88120GNK	120.00 (3000)	7.50 (188)	15.00 (375)	7.00 (175)	1.66 (42)	—	3.31 (83)	—	8.12 (203)	8.19 (205)	7.94 (199)	1.31 (34)	5.19 (88)	5.50 (89)	1.31 (52)	1.69 (67)	1.22 (18)	1.25 (24)	12.00 (150)	12.00 (150)

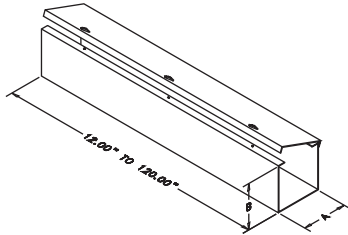
NK = No Knockouts
G - Galvanized



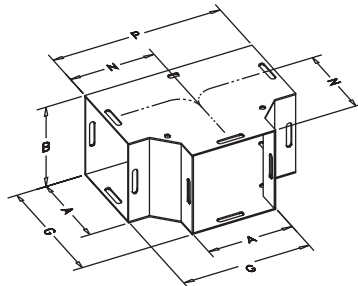
**S SERIES 4", 6" AND 8"
STRAIGHT SECTION
DIMENSIONS**



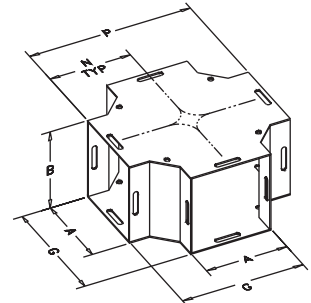
HS & S SERIES ACCESSORIES DIMENSIONS										
A X B	G	H	J	K	L	M	N	O	P	Q
2.50x2.50 (64x64)	4.5 (114)	2.75 (70)	7.91(201)	7.75 (197)	4.63 (117)	3.31 (84)	3.25 (83)	3.75 (95)	6.5 (165)	—
4.00x4.00 (102x102)	6.00 (152)	3.38 (86)	9.41 (239)	10.75 (273)	6.13 (153)	4.06 (103)	4.00 (102)	5.25 (133)	8.00 (203)	—
6.00x6.00 (152x152)	8.00 (152)	4.25 (108)	11.34 (288)	14.75 (375)	8.13 (206)	3.28 (83)	5.00 (127)	7.25 (184)	10.00 (254)	6.84 (174)
8.00x8.00 (203x203)	10.00 (254)	5.06 (129)	13.44 (341)	18.75 (476)	10.13 (257)	3.28 (83)	6.00 (152)	9.25 (235)	12.00 (305)	8.84 (225)
12.00x12.00 (305x305)	14.00 (356)	6.75 (171)	17.44 (443)	56.75 (679)	14.13 (359)	6.25 (159)	8.00 (203)	13.25 (337)	16.00 (406)	9.88 (251)



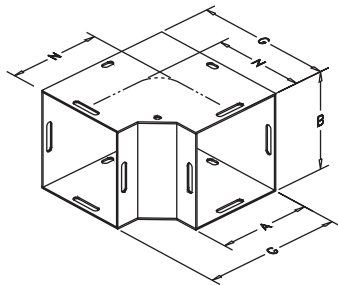
Straight Section



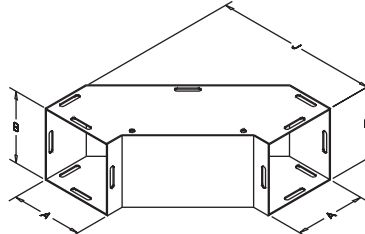
Tee



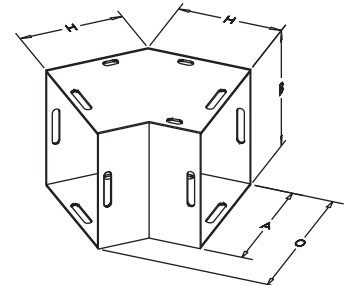
Cross



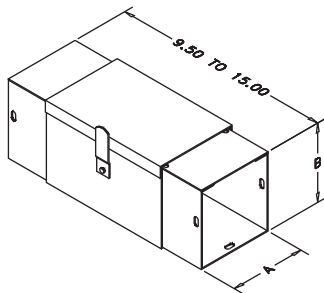
90° Elbow



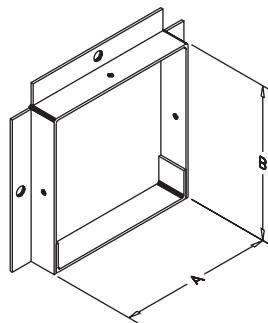
Sweep Elbow



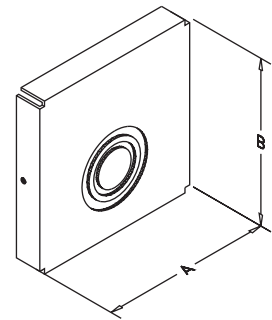
45° Elbow



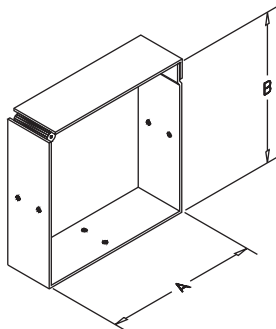
Telescope Fitting



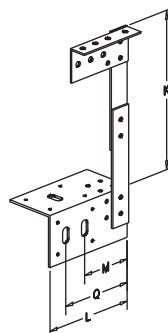
Panel Adapter



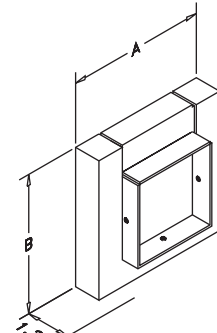
End Cap



Connector



Combination Hanger



Reducer



LJW24

Industry Standards

UL 870

NEMA Type 12

 UL Files E32576

 CSA File LL66078

FEATURES-SPECIFICATIONS
Applications

Designed to protect electrical wiring from dirt, dust, oil, and water. All straight sections and fittings feature an open-top design for easy "lay-in" of wiring. No "pulling through" of wires and cables is required with this design.

A complete selection of straight sections and fittings are offered in five sizes (H x W):

2.50" x 2.50" (64 x 64)
 4.00" x 4.00" (102 x 102)
 6.00" x 6.00" (152 x 152)
 8.00" x 8.00" (203 x 203)
 6.00" x 12.00" (152 x 305)

Construction

- Bodies and covers are fabricated from 14 gauge steel. 6.00" x 12.00" bodies and covers are fabricated from 12 gauge steel
- End flanges are fabricated from 10 gauge steel
- Continuously welded seams ground smooth, no holes or knockouts

- Smooth rounded edges on all sections and fittings prevent damage to wire insulation
- Closed cell oil resistant neoprene gasket
- Solid oil-resistant gasket positioned between flanges when sections and fittings are bolted together
- Heavy butt hinges and external quick release clamps insure a complete seal between covers and body yet permit immediate access to wireway interior

- Gasketed quick-release captivated sealing plate provides complete seal at each joint

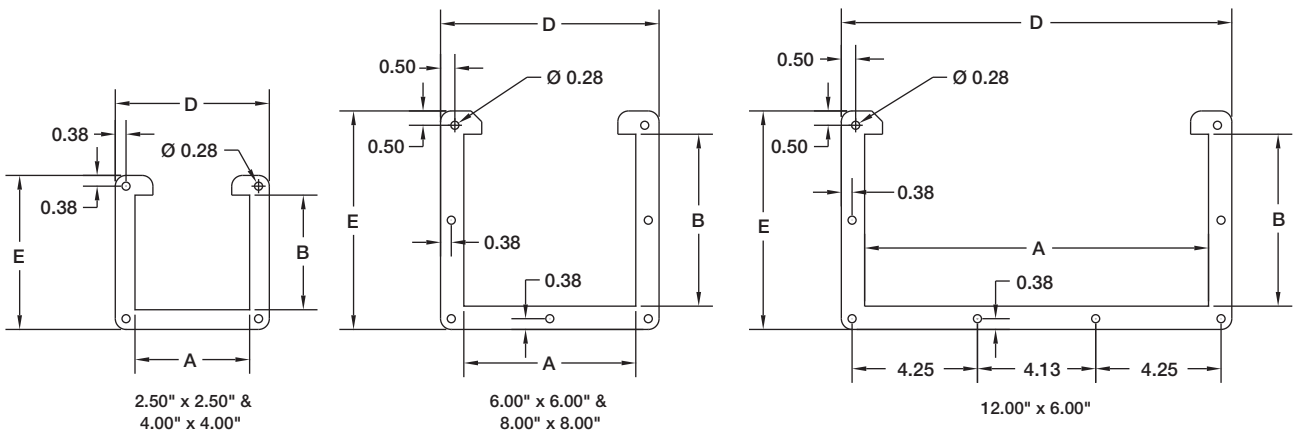
- All necessary gaskets, nuts, and bolts furnished for efficient assembly

Finish

- ANSI 61 gray polyester powder inside and out over phosphatized surfaces

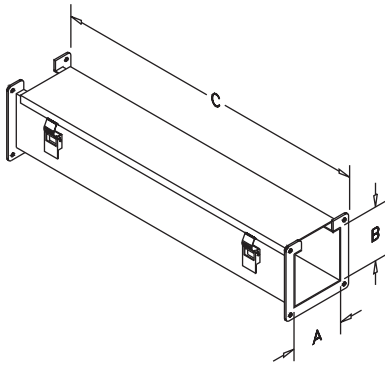
LJW SERIES LAY-IN WIREWAY (STRAIGHT SECTIONS)					
CATALOG NUMBER					DESCRIPTION
2.50 X 2.50 (64 X 64)	4.00 X 4.00 (102 X 102)	6.00 X 6.00 (152 X 152)	8.00 X 8.00 (203 X 203)	6.00 X 12.00* (152 X 305)	
LJW21	LJW41	LJW61	LJW81	LJW1261	12.00" (205)
LJW22	LJW42	LJW62	LJW82	LJW1262	24.00" (610)
LJW23	LJW43	LJW63	LJW83	LJW1263	36.00" (914)
LJW24	LJW44	LJW64	LJW84	LJW1264	48.00" (1219)
LJW25	LJW45	LJW65	LJW85	LJW1265	60.00" (1524)
LJW210	LJW410	LJW610	LJW810	LJW12610	120.00" (3048)

*6.00 x 12.00 wireway bodies are fabricated from 12 gauge steel.

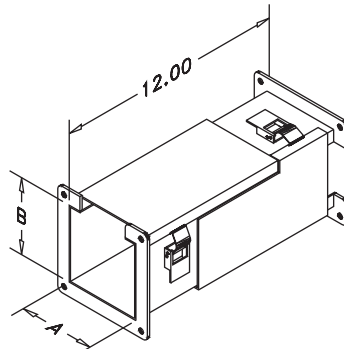


LJW SERIES LAY-IN WIREWAY (FITTINGS)					
CATALOG NUMBER					DESCRIPTION
2.50 X 2.50 (64 X 64)	4.00 X 4.00 (102 X 102)	6.00 X 6.00 (152 X 152)	8.00 X 8.00 (203 X 203)	6.00 X 12.00 (152 X 305)	
LJWS2	LJWS4	LJWS6	LJWS8	LJWS126	Telescope (not UL listed)
LJWF2	LJWF4	LJWF6	LJWF8	LJWF126	Lay-in, cut-off
LJWL902A	LJWL904A	LJWL906A	LJWL908A	LJWL90126A	90 Degree el top
LJWL902B	LJWL904B	LJWL906B	LJWL908B	LJWL90126B	90 Degree el inside
LJWL902C	LJWL904C	LJWL906C	LJWL908C	LJWL90126C	90 Degree el outside
LJWL452A	LJWL454A	LJWL456A	LJWL458A	LJWL45126A	45 Degree el top
LJWL452B	LJWL454B	LJWL456B	LJWL458B	—	45 Degree el inside
LJWL452C	LJWL454C	LJWL456C	LJWL458C	—	45 Degree el outside
LJWT2A	LJWT4A	LJWT6A	LJWT8A	LJWT126A	Tee-top
LJWT2C	LJWT4C	LJWT6C	LJWT8C	—	Tee-outside
LJWX2	LJWX4	LJWX6	LJWX8	LJWX126	Cross
LJWE2	LJWE4	LJWE6	LJWE8	LJWE126	Closure plate
LJWA2	LJWA4	LJWA6	LJWA8	LJWA126	Box connector
—	LJWRB42	—	—	—	Reducer 4.00x4.00 to 4.00x2.50
—	—	LJWRB64	—	—	Reducer 6.00x6.00 to 4.00x4.00
—	—	—	LJWRB86	—	Reducer 8.00x8.00 to 6.00x6.00
—	—	—	—	LJWRB1266	Reducer 12.00x6.00 to 6.00x6.00
JWD2	JWD4	JWD6	JWD8	—	Drop-hanger
JWBH2	JWBH4	JWBH6	JWBH8	—	Bracket-hanger
LJWN221	LJWN441	LJWN661	LJWN881	—	1.00" Nipple
LJWN222	LJWN442	LJWN662	LJWN882	—	2.00" Nipple
LJWN223	LJWN443	LJWN663	LJWN883	—	3.00" Nipple
LJWN226	LJWN446	LJWN666	LJWN886	LJWN1266	6.00" Nipple
LJW21CW	LJW41CW	LJW61CW	LJW81CW	—	12" Length clockwise transposition straight section
LJW21CCW	LJW41CCW	LJW61CCW	LJW81CCW	—	12" Length counter clockwise transposition straight section
LJWL902CW	LJWL904CW	LJW906CW	LJW908CW	—	90 Degree elbow clockwise
LJWL902CCW	LJWL904CCW	LJWL906CCW	LJWL908CCW	—	90 Degree elbow counter clockwise
LJW2QRSP	LJW4QRSP	LJW6QRSP	LJW8QRSP	LJW126QRSP	Quick release flat sealing plate
LJW2ASP	LJW4ASP	LJW6ASP	LJW8ASP	LJW126ASP	90 Degree angle sealing plate
—	JW4BK60	JW6BK60	JW8BK60	JW6BK60	60.00" Barrier kit

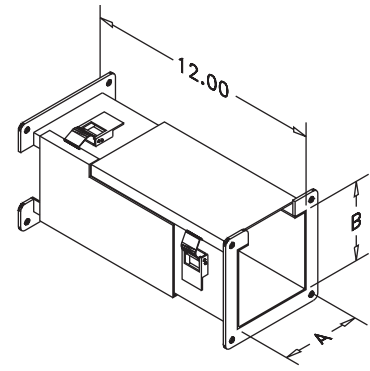
LJW SERIES WIREWAYS & FITTINGS DIMENSIONS																		
A X B	C - LENGTH							D	E	G	H	J	K	P	R	S	T	U
2.50x2.50 (64x64)	6.00 (152)	12.00 (305)	24.00 (610)	36.00 (914)	48.00 (1219)	60.00 (1524)	120.00 (3048)	3.88 (99)	3.88 (99)	8.50 (216)	4.13 (105)	2.00 (51)	4.25 (108)	4.63 (118)	3.75 (95)	9.31 (237)	4.50 (114)	4.38 (111)
4.00x4.00 (102x102)	6.00 (152)	12.00 (305)	24.00 (610)	36.00 (914)	48.00 (1219)	60.00 (1524)	120.00 (3048)	5.38 (137)	5.38 (137)	10.00 (254)	5.00 (127)	2.44 (62)	5.00 (127)	6.13 (156)	3.75 (95)	11.75 (298)	6.00 (152)	5.88 (149)
6.00x6.00 (152x152)	6.00 (152)	12.00 (305)	24.00 (610)	36.00 (914)	48.00 (1219)	60.00 (1524)	120.00 (3048)	7.63 (194)	7.63 (194)	12.00 (305)	6.00 (152)	3.00 (76)	6.00 (152)	8.25 (210)	3.75 (95)	15.25 (387)	8.13 (207)	7.88 (200)
8.00x8.00 (203x203)	6.00 (152)	12.00 (305)	24.00 (610)	36.00 (914)	48.00 (1219)	60.00 (1524)	120.00 (3048)	9.63 (245)	9.63 (245)	14.00 (356)	7.00 (178)	3.75 (95)	7.00 (178)	10.25 (260)	3.75 (95)	20.56 (522)	12.13 (308)	9.88 (251)
12.00x6.00 (305x152)	6.00 (152)	12.00 (305)	24.00 (610)	36.00 (914)	48.00 (1219)	60.00 (1524)	120.00 (3048)	13.63 (346)	7.63 (194)	18.00 (457)	6.00 (152)	4.75 (121)	9.00 (229)	—	—	—	—	—



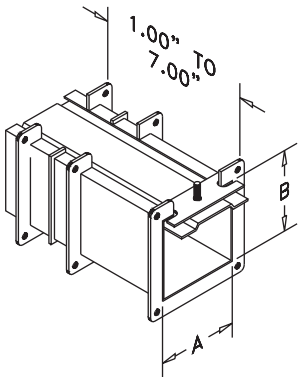
Straight



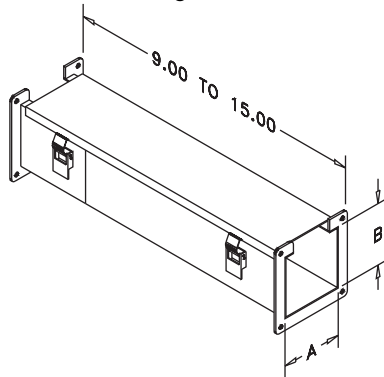
**Clockwise Transposition
Straight Section**



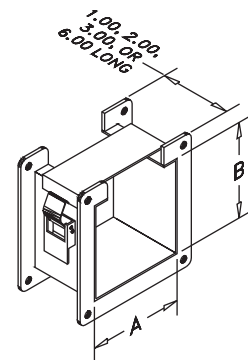
**Counter-Clockwise Transposition
Straight Section**



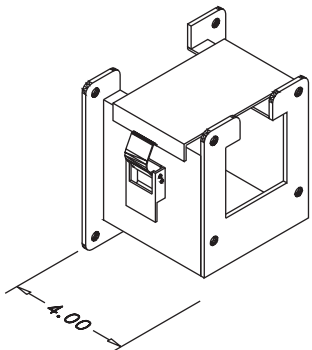
Lay-In Telescope Fitting



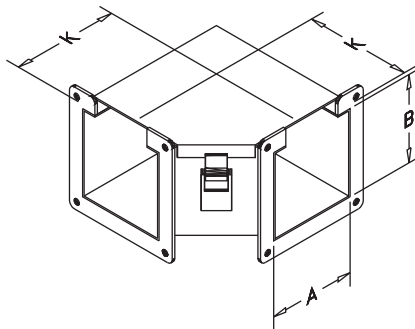
Lay-In Cut-Off Fitting



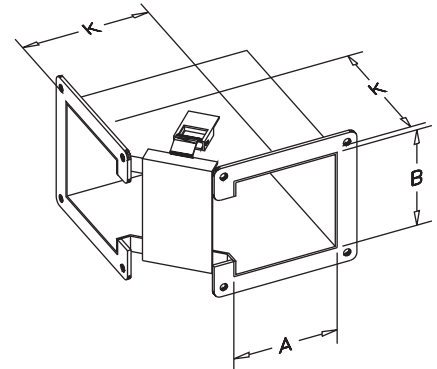
Nipple



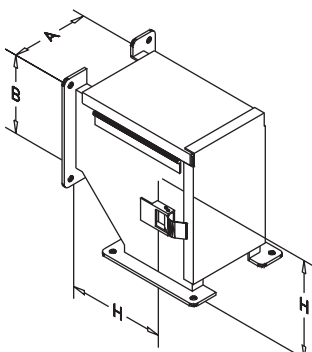
Reducer



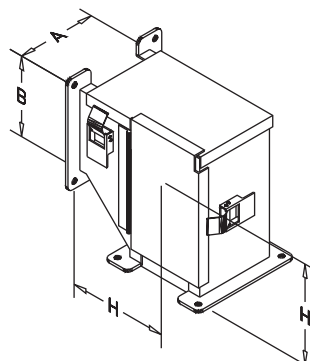
90° Elbow Top Opening



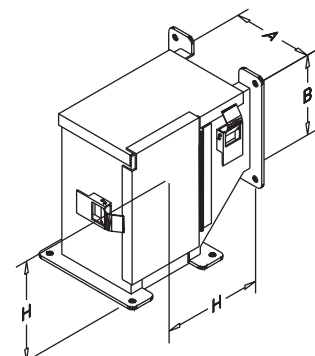
90° Elbow Inside Opening



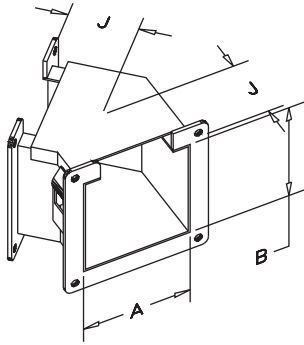
90° Elbow Outside Opening



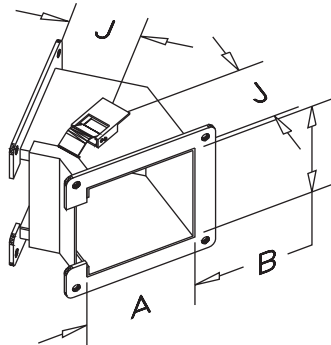
90° Elbow Clockwise Transposition



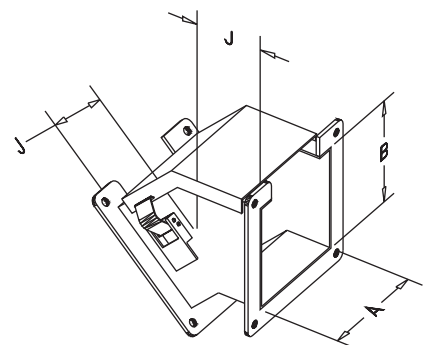
**90° Elbow Counter-Clockwise
Transposition**



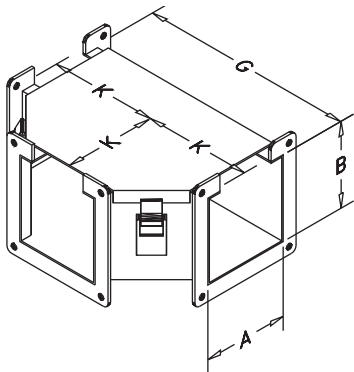
45° Elbow Top Opening



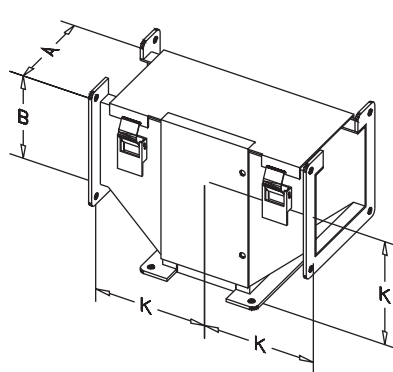
45° Elbow Inside Opening



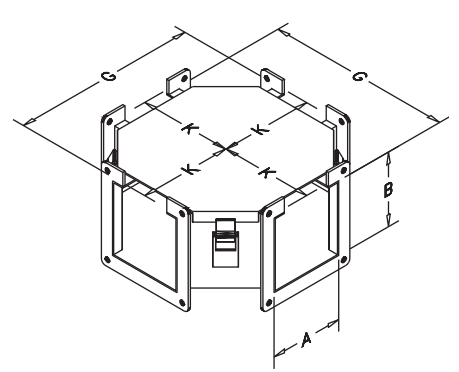
45° Elbow Outside Opening



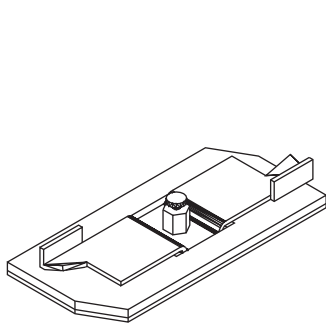
Tee Top Opening



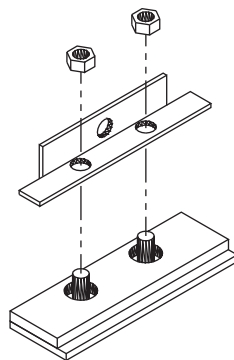
Tee Outside Opening



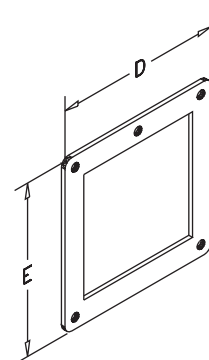
Cross



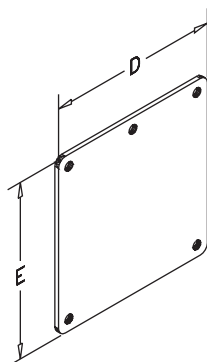
Quick Release Flat Sealing Plate



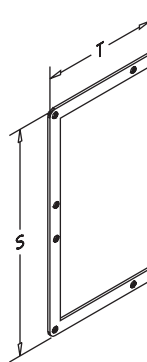
90° Angle Sealing Plate



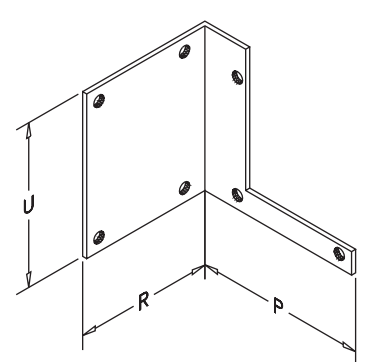
Box Connector



Closure Plate



Drop Hanger



Bracket Hanger



JW24

Industry Standards

UL 870
NEMA Type 12
JIC EL-1-71

 UL Files E32576

 CSA File LL66078

FEATURES-SPECIFICATIONS

Applications

Designed to protect electrical wiring from dirt, dust, oil, and water. All straight sections feature a hinged-top design for easy wiring.

A complete selection of sections and fittings is offered in four sizes (H x W):

- 2.50" x 2.50" (64 x 64)
- 4.00" x 4.00" (102 x 102)
- 6.00" x 6.00" (152 x 152)
- 8.00" x 8.00" (203 x 203)

Construction

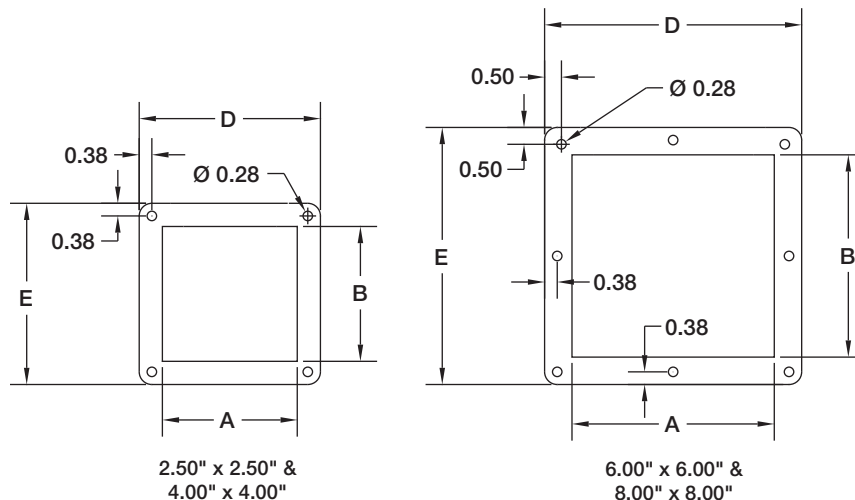
- Bodies and covers are fabricated from 14 gauge steel
- End flanges are fabricated from 10 gauge steel
- Continuously welded seams ground smooth, no holes or knockouts
- Smooth rounded edges on all sections and fittings prevent damage to insulation
- Closed cell oil resistant neoprene gasket

- Solid oil resistant gasket is furnished to provide complete seal at each joint
- Heavy butt hinges and external screw clamps to insure a complete seal between covers and bodies
- Screw clamps are quick and easy to operate, with no loose parts
- All necessary gaskets, nuts and bolts furnished for efficient assembly

Finish

- ANSI 61 gray polyester powder inside and out over phosphatized surfaces

JW SERIES FEED THROUGH WIREWAY (STRAIGHT SECTIONS)				
CATALOG NUMBER				DESCRIPTION
2.50 X 2.50 (64 X 64)	4.00 X 4.00 (102 X 102)	6.00 X 6.00 (152 X 152)	8.00 X 8.00 (203 X 203)	
JW21	JW41	JW61	JW81	12.00" (205)
JW22	JW42	JW62	JW82	24.00" (610)
JW23	JW43	JW63	JW83	36.00" (914)
JW24	JW44	JW64	JW84	48.00" (1219)
JW25	JW45	JW65	JW85	60.00" (1524)
JW210	JW410	JW610	JW810	120.00" (3048)



JW SERIES FEED THROUGH WIREWAY (FITTINGS)				
CATALOG NUMBER				DESCRIPTION
2.50 x 2.50 (64 x 64)	4.00 x 4.00 (102 x 102)	6.00 x 6.00 (152 x 152)	8.00 x 8.00 (203 x 203)	
JWS2	JWS4	JWS6	JWS8	Telescope*
JWF2	JWF4	JWF6	JWF8	Cut-off (1 set of gaskets and screws included)
JWL902	JWL904	JWL906	JWL908	90 Degree elbow (1 set of gaskets and screws included)
JWL452	JWL454	JWL456	JWL458	45 Degree elbow (1 set of gaskets and screws included)
JWT2	JWT4	JWT6	JWT8	Tee-top (2 sets of gaskets and screws included)
JWX2	JWX4	JWX6	JWX8	Cross (3 sets of gaskets and screws included)
JWE2	JWE4	JWE6	JWE8	End plate (1 set of gaskets and screws included)
JWA2	JWA4	JWA6	JWA8	Box adaptor (1 set of gaskets and screws included)
—	JWRB42C	—	—	Reducer 4.00" (102) to 2.50" (54) center hole**
—	—	JWRB64C	—	Reducer 6.00" (152) to 4.00" (102) center hole**
—	—	—	JWRB84C	Reducer 8.00" (203) to 4.00" (102) center hole**
—	—	—	JWRB86C	Reducer 8.00"(203) to 6.00" (152) center hole**
JWD2	JWD4	JWD6	JWD8	Drop-hanger
JWBH2	JWBH4	JWBH6	JWBH8	Bracket-hanger
JWN221	JWN441	JWN661	JWN881	1.00" Nipple
JWN222	JWN442	JWN662	JWN882	2.00" Nipple
JWN223	JWN443	JWN663	JWN883	3.00" Nipple
JWN226	JWN446	JWN666	JWN886	6.00" Nipple
JWSC22	JWSC44	JWSC66	—	Swivel nipple-regular
JWFF2	JWFF4	JWFF6	JWFF8	Flexible fitting***
—	JW4BK60	JW6BK60	JW8BK60	60.00" Barrier kit
JWG22	JWG44	JWG66	JWG88	Extra gasket and screws

*Not UL listed.

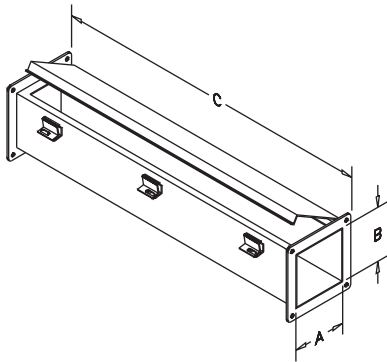
**One set of gaskets and screws included with all reducers.

***Minimum length 3", maximum length 8".

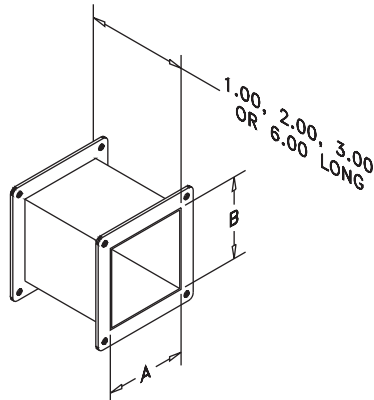
JW SERIES WIREWAY & FITTINGS DIMENSIONS																		
A X B	C - LENGTH						D	E	F	G	H	J	K	P	R	S	T	U
2.50x2.50 (64x64)	12.00 (305)	24.00 (610)	36.00 (914)	48.00 (1219)	60.00 (1524)	120.00 (3048)	3.88 (99)	3.88 (99)	5.50 (140)	8.50 (216)	2.50 (64)	2.00 (51)	4.25 (108)	4.63 (118)	3.75 (95)	9.31 (236)	4.50 (114)	4.38 (111)
4.00x4.00 (102x102)	12.00 (305)	24.00 (610)	36.00 (914)	48.00 (1219)	60.00 (1524)	120.00 (3048)	5.38 (137)	5.38 (137)	7.00 (178)	10.00 (254)	3.25 (83)	2.44 (62)	5.00 (127)	6.13 (156)	3.75 (95)	11.75 (298)	6.00 (152)	5.88 (149)
6.00x6.00 (152x152)	12.00 (305)	24.00 (610)	36.00 (914)	48.00 (1219)	60.00 (1524)	120.00 (3048)	7.63 (194)	7.63 (194)	9.00 (229)	12.00 (305)	4.25 (108)	3.00 (76)	6.00 (152)	8.25 (210)	3.75 (95)	15.25 (387)	8.13 (207)	7.88 (200)
8.00x8.00 (203x203)	12.00 (305)	24.00 (610)	36.00 (914)	48.00 (1219)	60.00 (1524)	120.00 (3048)	9.63 (245)	9.63 (245)	11.00 (279)	14.00 (356)	5.25 (133)	3.75 (95)	7.00 (178)	10.25 (260)	3.75 (95)	20.56 (522)	12.13 (308)	9.88 (251)

FEATURES-SPECIFICATIONS

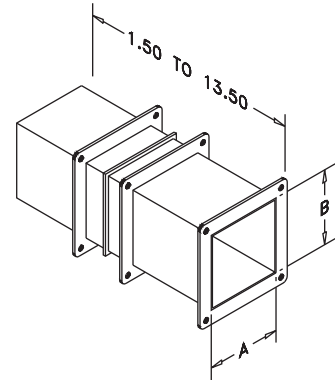
JW SERIES WIREWAY & FITTINGS DIMENSIONS																		
A X B	C - LENGTH						D	E	F	G	H	J	K	P	R	S	T	U
2.50x2.50 (64x64)	12.00 (305)	24.00 (610)	36.00 (914)	48.00 (1219)	60.00 (1524)	120.00 (3048)	3.88 (99)	3.88 (99)	5.50 (140)	8.50 (216)	2.50 (64)	2.00 (51)	4.25 (108)	4.63 (118)	3.75 (95)	9.31 (236)	4.50 (114)	4.38 (111)
4.00x4.00 (102x102)	12.00 (305)	24.00 (610)	36.00 (914)	48.00 (1219)	60.00 (1524)	120.00 (3048)	5.38 (137)	5.38 (137)	7.00 (178)	10.00 (254)	3.25 (83)	2.44 (62)	5.00 (127)	6.13 (156)	3.75 (95)	11.75 (298)	6.00 (152)	5.88 (149)
6.00x6.00 (152x152)	12.00 (305)	24.00 (610)	36.00 (914)	48.00 (1219)	60.00 (1524)	120.00 (3048)	7.63 (194)	7.63 (194)	9.00 (229)	12.00 (305)	4.25 (108)	3.00 (76)	6.00 (152)	8.25 (210)	3.75 (95)	15.25 (387)	8.13 (207)	7.88 (200)
8.00x8.00 (203x203)	12.00 (305)	24.00 (610)	36.00 (914)	48.00 (1219)	60.00 (1524)	120.00 (3048)	9.63 (245)	9.63 (245)	11.00 (279)	14.00 (356)	5.25 (133)	3.75 (95)	7.00 (178)	10.25 (260)	3.75 (95)	20.56 (522)	12.13 (308)	9.88 (251)



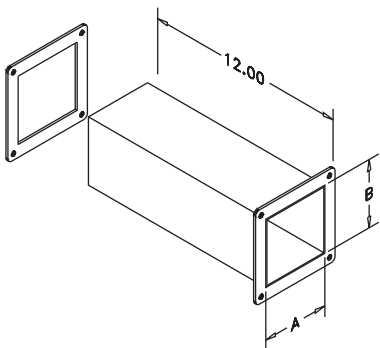
Straight Section



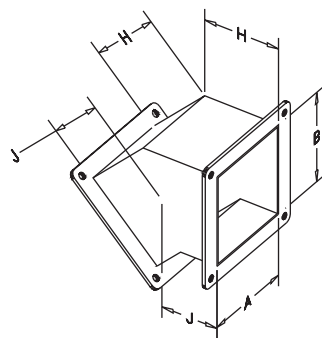
Nipple



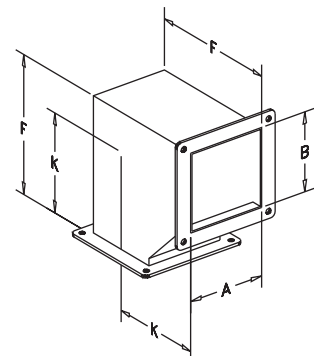
Telescope Fitting



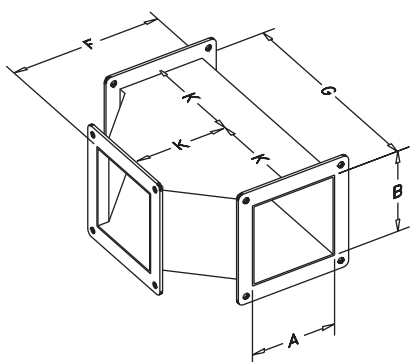
Cut-Off Fitting



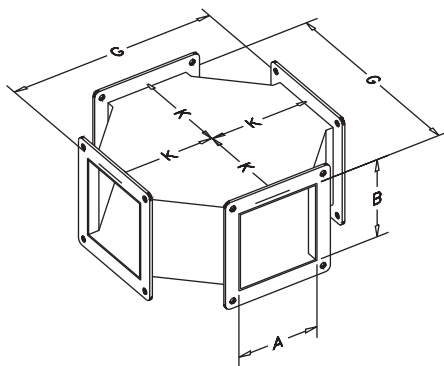
45° Elbow



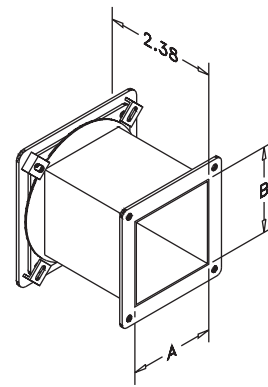
90° Elbow



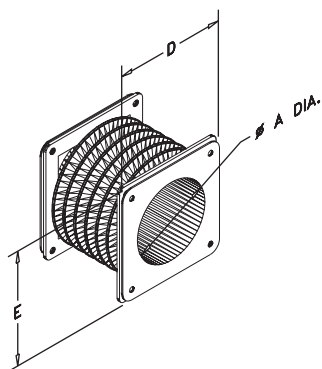
Tee



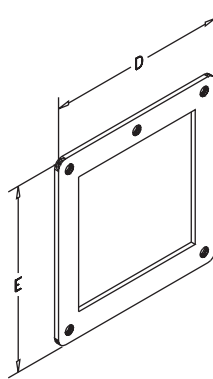
Cross



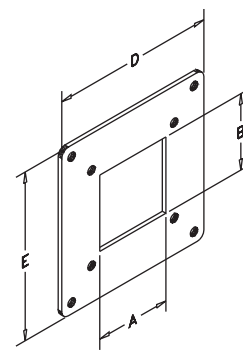
Swivel Nipple



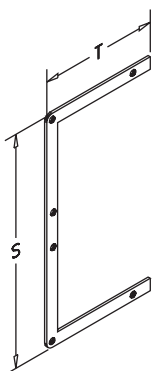
Flexible Fitting



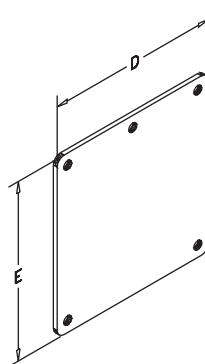
Box Connector



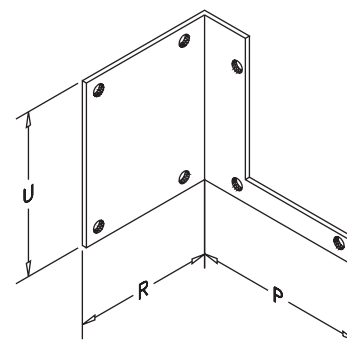
Reducer Center Hole



Drop Hanger



Closure Plate



Bracket Hanger



SSJW42

Industry Standards

UL 870
NEMA Type 12
JIC EL-1-71

 UL Files E32576

 CSA File LL66078

FEATURES-SPECIFICATIONS
Applications

Designed to protect electrical wiring in areas where corrosion problems exist.

A complete selection of sections and fittings is offered in two sizes:

4.00" x 4.00" (102 x 102)

6.00" x 6.00" (152 x 152)

Construction

- Bodies and covers are fabricated from 14 gauge 304 stainless steel
- Flange ends are fabricated from 10 gauge 304 stainless steel
- Features hinged top for easy wiring
- Continuously welded seams ground smooth, no holes or knockouts
- Smooth rounded edges on all sections and fittings prevent damage to insulation
- Closed cell oil resistant neoprene gasket
- Heavy butt hinges and external stainless steel screw clamps to insure a complete seal between covers and bodies
- Screw clamps are quick and easy to operate, with no loose parts
- Solid oil-resistant gasket is furnished to provide complete seal at each joint
- All necessary gaskets, nuts and bolts furnished for efficient assembly

Finish

- Exterior body and cover has smooth grained finish

SSJW SERIES STAINLESS FEED-THROUGH WIREWAY & FITTINGS

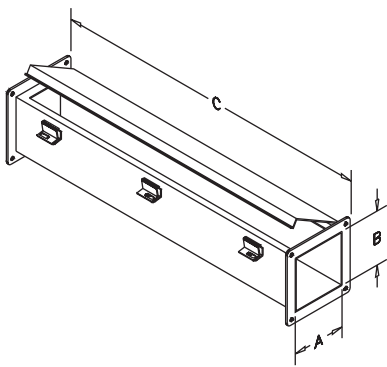
CATALOG NUMBER		DESCRIPTION
4.00 X 4.00 (102 X 102)	6.00 X 6.00 (152 X 152)	
SSJW41	SSJW61	12.00" (205) Straight section
SSJW42	SSJW62	24.00" (610) Straight section
SSJW43	SSJW63	36.00" (914) Straight section
SSJW44	SSJW64	48.00" (1219) Straight section
SSJW45	SSJW65	60.00" (1524) Straight section
SSJW410	SSJW610	120.00" (3048) Straight section
SSJWS4	SSJWS6	Telescope (not UL listed)
SSJWL904	SSJWL906	90° Elbow (1 set of gaskets and screws included)
SSJWL454	SSJWL456	45° Elbow (1 set of gaskets and screws included)
SSJWT4	SSJWT6	Tee-top (2 sets of gaskets and screws included)
SSJWE4	SSJWE6	End plate (1 set of gaskets and screws included)
SSJWA4	SSJWA6	Box adaptor (1 set of gaskets and screws included)
—	SSJWRB64E	Reducer bushing 6.00" (152) to 4.00" (102) edge*
—	SSJWRB64C	Reducer bushing 6.00" (152) to 4.00" (10) center*
SSJWN446	SSJWN666	6.00" straight nipple fitting
SSJWFF4	SSJWFF6	Flexible fitting**
SSJWBH4	SSJWBH6	Bracket hanger

* All reducer bushings included gaskets and screws.

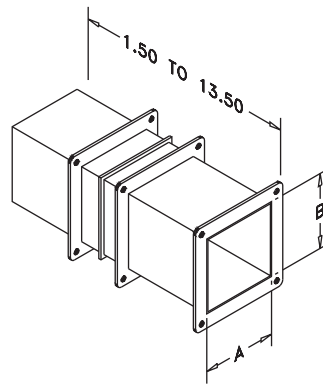
** Minimum length 3", maximum length 8".

SSJW SERIES WIREWAY & FITTINGS DIMENSIONS

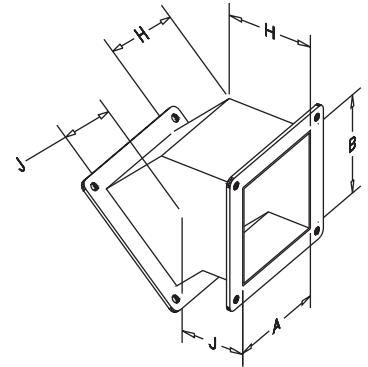
A X B	C - LENGTH						D	E	F	G	H	J	K
4.00x4.00 (102x102)	12.00 (305)	24.00 (610)	36.00 (914)	48.00 (1219)	60.00 (1524)	120.00 (3048)	5.38 (137)	5.38 (137)	7.00 (178)	10.00 (254)	3.25 (83)	2.44 (62)	5.00 (127)
6.00x6.00 (152x152)	12.00 (305)	24.00 (610)	36.00 (914)	48.00 (1219)	60.00 (1524)	120.00 (3048)	7.63 (194)	7.63 (194)	9.00 (229)	12.00 (305)	4.25 (108)	3.00 (76)	6.00 (152)



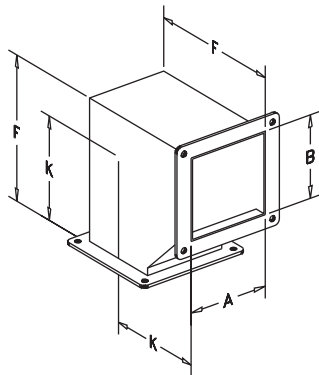
Straight Section



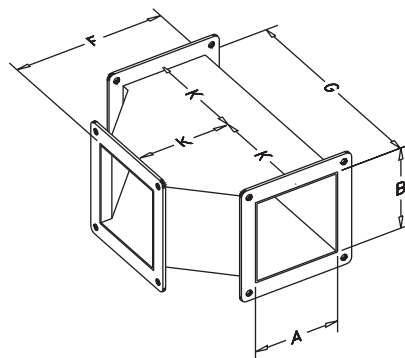
Telescope Fitting



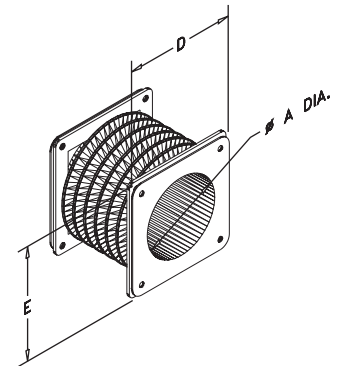
45° Elbow



90° Elbow



Tee



Flexible Fitting



RSCG060624

Industry Standards

UL 870

NEMA/EEMAC Types, 1 & 3R

 UL Files E32576

 CSA File LL66078

FEATURES-SPECIFICATIONS
Applications

Designed to protect wiring in outdoor installations against rain, sleet and snow, or indoors against dripping water.

Construction

- Through and cover fabricated from 16 gauge carbon steel or G-90 pre-galvanized steel 16 gauge
- Drip shield top and smooth seamless sides, front and back, prevent rain,

snow and sleet from entering the enclosure

- Embossed mounting holes are conveniently located on the back
- A slip-on removable cover is securely fastened with screws located along the bottom edge
- Knockouts are provided on bottom of enclosure

Finish

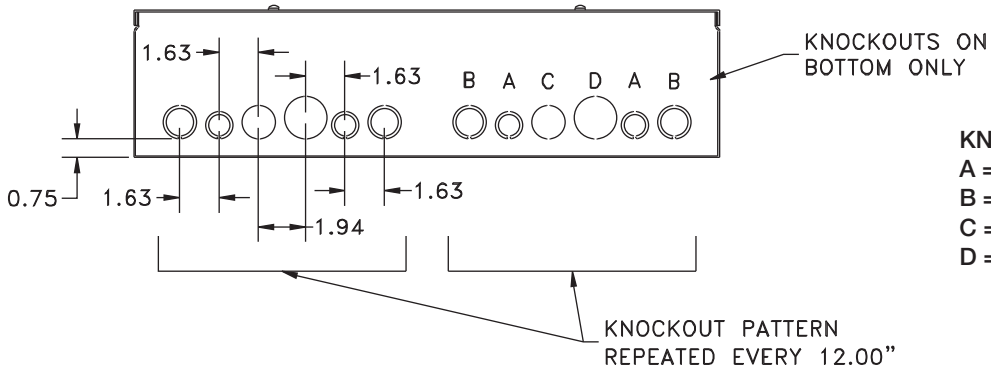
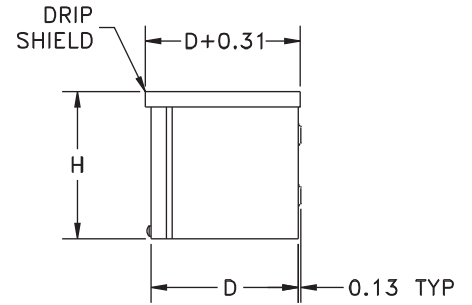
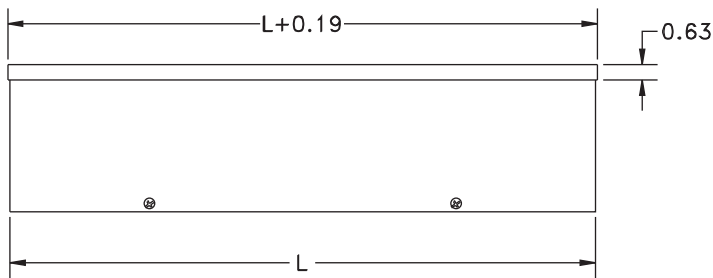
- ANSI-61 gray polyester powder inside and out over phosphatized surfaces or unpainted pre-galvanized steel

Accessories

- See pages J1-J19

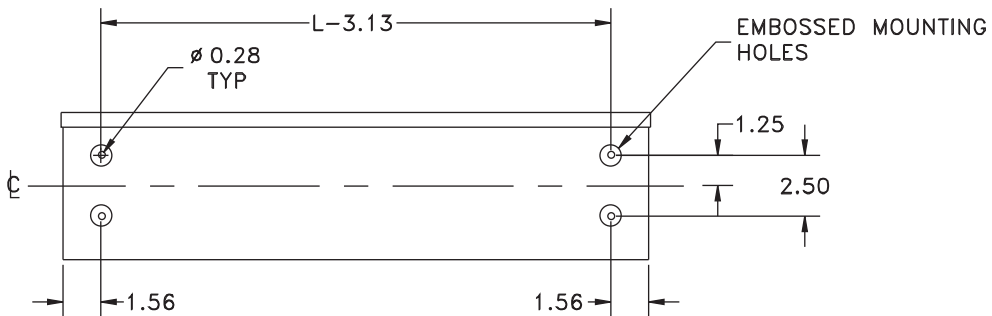
RSCG WALLMOUNT WIRING THROUGH				
CATALOG NUMBER		BODY/DOOR STEEL GAUGE	ENCLOSURE SIZE H X D X L	KNOCKOUT PATTERN
PAINTED	GALVANIZED			
RSCG040412	RSCG040412G	16/16	4.06x4.06x12.13 (103x103x308)	B-A-C-D-A-B repeated
RSCG040424	RSCG040424G	16/16	4.06x4.06x24.13 (103x103x613)	B-A-C-D-A-B repeated
RSCG040436	RSCG040436G	16/16	4.06x4.06x36.13 (103x103x918)	B-A-C-D-A-B repeated
RSCG040448	RSCG040448G	16/16	4.06x4.06x48.13 (103x103x1222)	B-A-C-D-A-B repeated
RSCG040460	RSCG040460G	16/16	4.06x4.06x60.13 (103x103x1527)	B-A-C-D-A-B repeated
RSCG060612	RSCG060612G	16/16	6.06x6.06x12.13 (154x154x308)	B-A-C-D-A-B repeated
RSCG060624	RSCG060624G	16/16	6.06x6.06x24.13 (154x154x613)	B-A-C-D-A-B repeated
RSCG060636	RSCG060636G	16/16	6.06x6.06x36.13 (154x154x918)	B-A-C-D-A-B repeated
RSCG060648	RSCG060648G	16/16	6.06x6.06x48.13 (154x154x1222)	B-A-C-D-A-B repeated
RSCG060660	RSCG060660G	16/16	6.06x6.06x60.13 (154x154x1527)	B-A-C-D-A-B repeated
RSCG060672	RSCG060672G	16/16	6.06x6.06x72.13 (154x154x1832)	B-A-C-D-A-B repeated
RSCG080824	RSCG080824G	16/16	8.06x8.06x24.13 (205x205x613)	B-A-C-D-A-B repeated
RSCG080836	RSCG080836G	16/16	8.06x8.06x36.13 (205x205x918)	B-A-C-D-A-B repeated
RSCG080848	RSCG080848G	16/16	8.06x8.06x48.13 (205x205x1222)	B-A-C-D-A-B repeated
RSCG080860	RSCG080860G	16/16	8.06x8.06x60.13 (205x205x1527)	B-A-C-D-A-B repeated
RSCG080872	RSCG080872G	16/16	8.06x8.06x72.13 (205x205x1832)	B-A-C-D-A-B repeated

NOTE: Must specify CSA Label when ordering.



KNOCKOUT SIZES
 A = 1/2" TO 3/4" CONCENTRIC KO
 B = 3/4" TO 1" CONCENTRIC KO
 C = 1" SOLID KO
 D = 1-1/4" SOLID KO

KNOCKOUT PATTERN
 REPEATED EVERY 12.00"



REAR VIEW

**T-CH SERIES
NEMA 12 HINGE COVER WIRING TROUGH**



T6624CH

Industry Standards
UL 870
NEMA Types 12 & 13
JIC EL-1-71

 UL Files E32576

 CSA File LL66078

FEATURES-SPECIFICATIONS

Applications

Designed to protect wiring from dirt, dust, oil and water.

Construction

- Trough and cover fabricated from 14 gauge steel
- Continuously welded seams ground

smooth, less knockouts or holes

- Oil resistant gasket and adhesive are provided
- Trough comes complete with easy to operate external clamps and a continuous hinge
- External mounting feet are provided

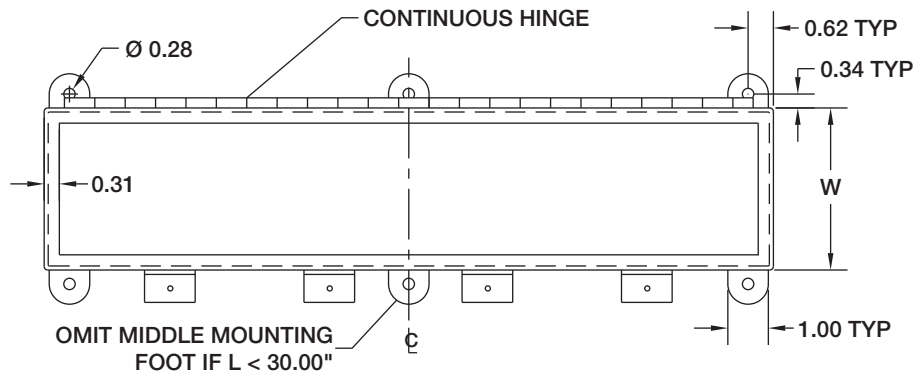
Finish

- ANSI-61 gray polyester powder inside and out over phosphatized surfaces

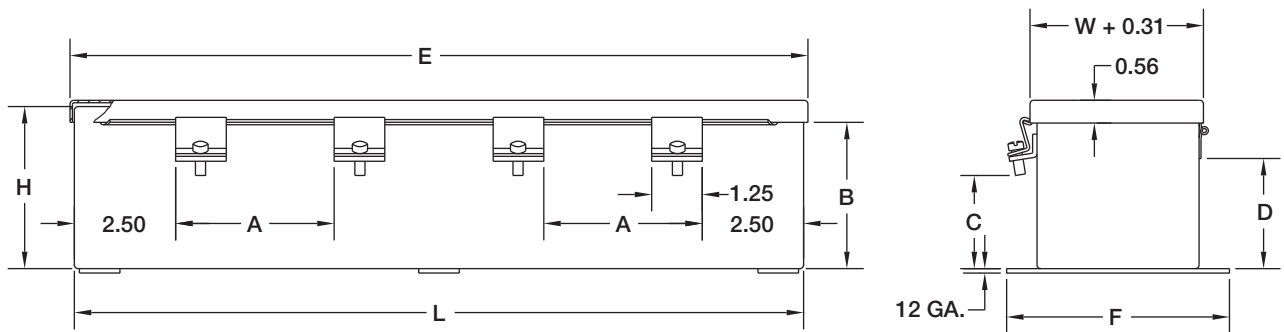
Accessories

- See pages J1-J19

T-CH SERIES JIC HINGED COVER WIRING THROUGH								
CATALOG NUMBER	BODY/DOOR STEEL GAUGE	ENCLOSURE SIZE H X W X L	A	B	C	D	E	F
T2212CH	14/14	2.50x2.50x12.00 (64x64x305)	5.75 (146)	2.09 (53)	.63 (16)	1.28 (33)	12.31 (313)	4.00 (102)
T2218CH	14/14	2.50x2.50x18.00 (64x64x457)	11.75 (298)	2.09 (53)	.63 (16)	1.34(34)	18.31 (465)	4.00 (102)
T2224CH	14/14	2.50x2.50x24.00 (64x64x610)	8.88 (225)	2.09 (53)	.63 (16)	1.34(34)	24.31 (698)	4.00 (102)
T2236CH	14/14	2.50x2.50x36.00 (64x64x914)	14.88 (378)	2.09 (53)	.63 (16)	1.34(34)	36.31 (922)	4.00 (102)
T2248CH	14/14	2.50x2.50x48.00 (64x64x1219)	20.88 (298)	2.09 (53)	.63 (16)	1.34(34)	48.31 (1227)	4.00 (102)
T2260CH	14/14	2.50x2.50x60.00 (64x64x1524)	17.92 (455)	2.09 (53)	.63 (16)	1.34(34)	60.31 (1532)	4.00 (102)
T2272CH	14/14	2.50x2.50x72.00 (64x64x1829)	21.92 (557)	2.09 (53)	.63 (16)	1.34(34)	72.31 (1837)	4.00 (102)
T4412CH	14/14	4.00x4.00x12.00 (102x102x305)	5.75 (146)	3.59 (91)	2.13 (54)	2.78 (71)	12.31 (313)	5.50 (140)
T4418CH	14/14	4.00x4.00x18.00 (102x102x457)	11.75 (298)	3.59 (91)	2.13 (54)	2.84 (72)	18.31 (465)	5.50 (140)
T4424CH	14/14	4.00x4.00x24.00 (102x102x610)	8.88 (225)	3.59 (91)	2.13 (54)	2.84 (72)	24.31 (618)	5.50 (140)
T4430CH	14/14	4.00x4.00x30.00 (102x102x762)	11.88 (302)	3.59 (91)	2.13 (54)	2.84 (72)	30.31 (770)	5.50 (140)
T4436CH	14/14	4.00x4.00x36.00 (102x102x914)	14.88 (378)	3.59 (91)	2.13 (54)	2.84 (72)	36.31 (922)	5.50 (140)
T4448CH	14/14	4.00x4.00x48.00 (102x102x1219)	20.88 (530)	3.59 (91)	2.13 (54)	2.84 (72)	48.31 (1227)	5.50 (140)
T4460CH	14/14	4.00x4.00x60.00 (102x102x1524)	17.92 (455)	3.59 (91)	2.13 (54)	2.84 (72)	60.31 (1532)	5.50 (140)
T4472CH	14/14	4.00x4.00x72.00 (102x102x1829)	21.95 (557)	3.59 (91)	2.13 (54)	2.84 (72)	72.31 (1837)	5.50 (140)
T6612CH	14/14	6.00x6.00x12.00 (152x152x305)	5.75 (146)	5.59 (142)	4.13 (105)	4.78 (121)	12.31 (313)	7.50 (191)
T6618CH	14/14	6.00x6.00x18.00 (152x152x457)	11.75 (298)	5.59 (142)	4.13 (105)	4.84 (123)	18.31 (465)	7.50 (191)
T6624CH	14/14	6.00x6.00x24.00 (152x152x610)	8.88 (225)	5.59 (142)	4.13 (105)	4.84 (123)	24.31 (618)	7.50 (191)
T6630CH	14/14	6.00x6.00x30.00 (152x152x762)	11.88 (302)	5.59 (142)	4.13 (105)	4.84 (123)	30.31 (770)	7.50 (191)
T6636CH	14/14	6.00x6.00x36.00 (152x152x914)	14.88 (378)	5.59 (142)	4.13 (105)	4.84 (123)	36.31 (922)	7.50 (191)
T6648CH	14/14	6.00x6.00x48.00 (152x152x1219)	20.88 (530)	5.59 (142)	4.13 (105)	4.84 (123)	48.31 (1227)	7.50 (191)
T6660CH	14/14	6.00x6.00x60.00 (152x152x1524)	17.92 (455)	5.59 (142)	4.13 (105)	4.84 (123)	60.31 (1532)	7.50 (191)
T6672CH	14/14	6.00x6.00x72.00 (152x152x1829)	21.92 (557)	5.59 (142)	4.13 (105)	4.84 (123)	72.31 (1837)	7.50 (191)
T8812CH	14/14	8.00x8.00x12.00 (203x203x305)	5.75 (146)	7.59 (193)	6.13 (156)	6.78 (172)	12.31 (313)	9.50 (241)
T8824CH	14/14	8.00x8.00x24.00 (203x203x610)	8.88 (225)	7.59 (193)	6.13 (156)	6.84 (174)	24.31 (618)	9.50 (241)
T8836CH	14/14	8.00x8.00x36.00 (203x203x914)	14.88 (378)	7.59 (193)	6.13 (156)	6.84 (174)	36.31 (922)	9.50 (241)
T8848CH	14/14	8.00x8.00x48.00 (203x203x1219)	20.88 (530)	7.59 (193)	6.13 (156)	6.84 (174)	48.31 (1227)	9.50 (241)
T8860CH	14/14	8.00x8.00x60.00 (203x203x1524)	17.92 (455)	7.59 (193)	6.13 (156)	6.84 (174)	60.31 (1532)	9.50 (241)
T121224CH	14/14	12.00x12.00x24.00 (305x305x610)	8.88 (225)	11.59 (294)	10.13 (257)	10.84 (275)	24.31 (618)	13.50 (343)
T121236CH	14/14	12.00x12.00x36.00 (305x305x914)	14.88 (378)	11.59 (294)	10.13 (257)	10.84 (275)	36.31 (922)	13.50 (343)
T121248CH	14/14	12.00x12.00x48.00 (305x305x1219)	20.88 (530)	11.59 (294)	10.13 (257)	10.84 (275)	48.31 (1227)	13.50 (343)
T121260CH	14/14	12.00x12.00x60.00 (305x305x1524)	17.92 (455)	11.59 (294)	10.13 (257)	10.84 (275)	60.31 (1532)	13.50 (343)



TOP VIEW WITH COVER REMOVED



Notes:

1. 2 clamps are used when L = 12.00" and 18.00"
2. 3 clamps are used when L = 24.00" through 48.00"
3. 4 clamps are used when L = 60.00" and 72.00"