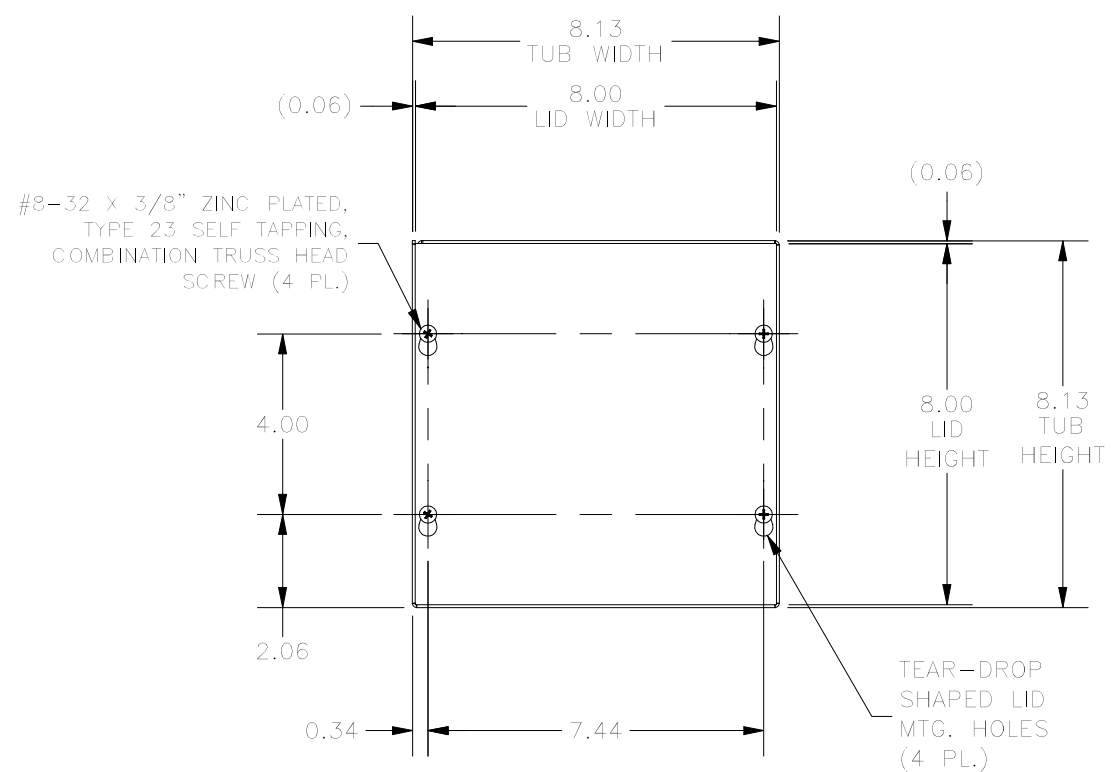
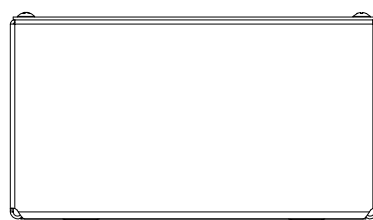


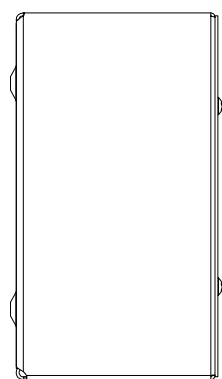
TOP VIEW



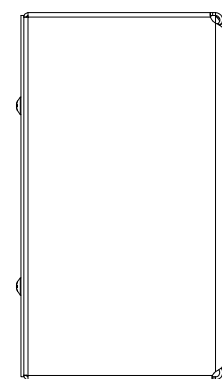
FRONT VIEW



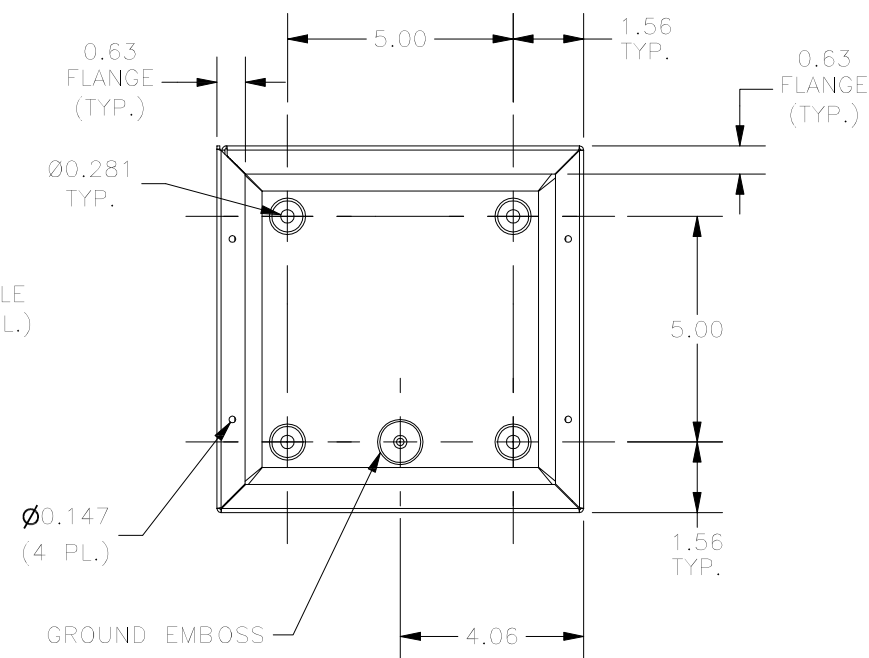
BOTTOM VIEW



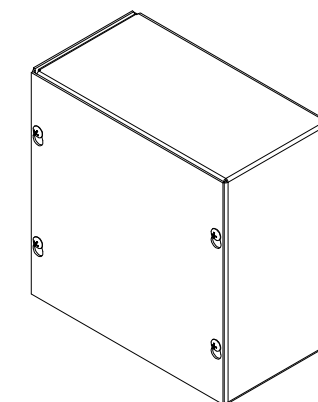
LEFT SIDE VIEW



RIGHT SIDE VIEW



FRONT VIEW LID REMOVED



PART#: SC080804GNK  
 (DATA SUBJECT TO CHANGE WITHOUT NOTICE)

THIS DRAWING IS PROPERTY OF HUBBELL INC. WIEGMANN  
 ALL INFORMATION IS PROPRIETARY AND NOT TO BE DUPLICATED