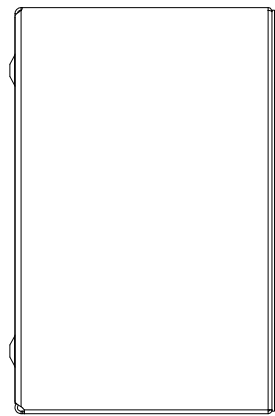
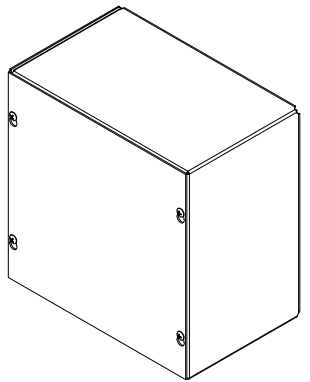
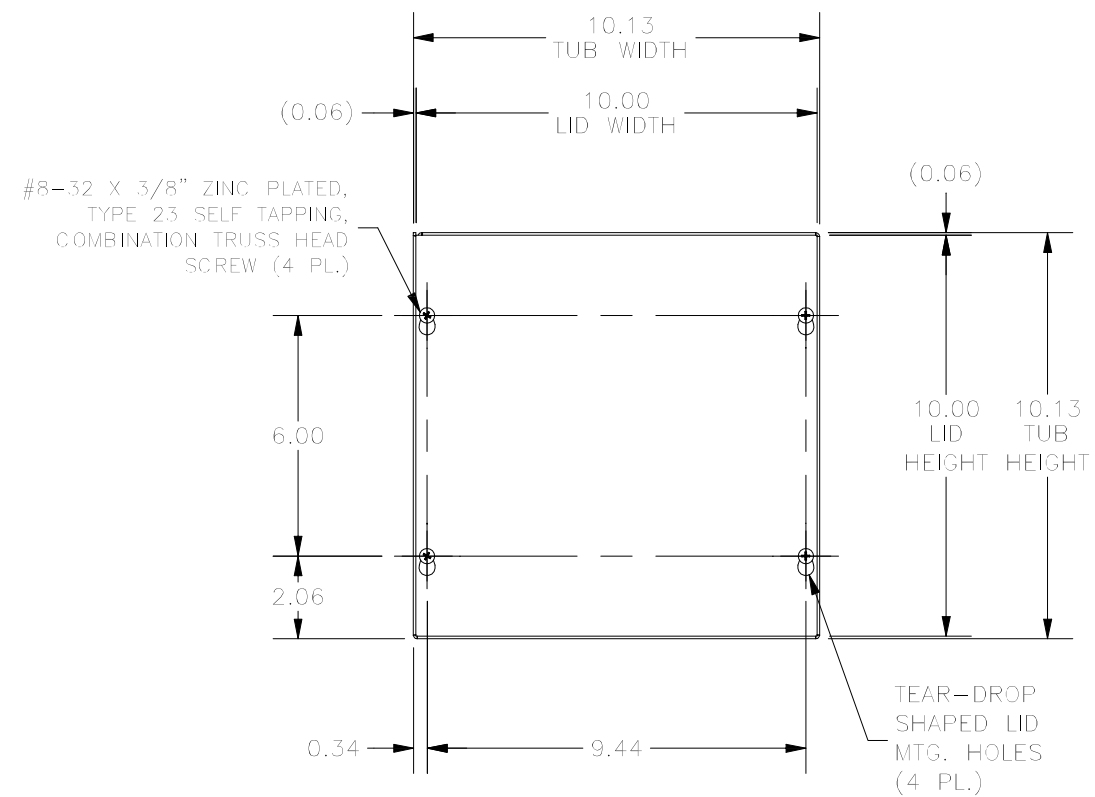


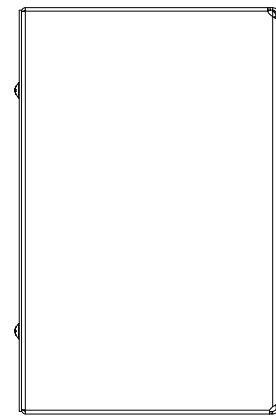
**TOP VIEW**



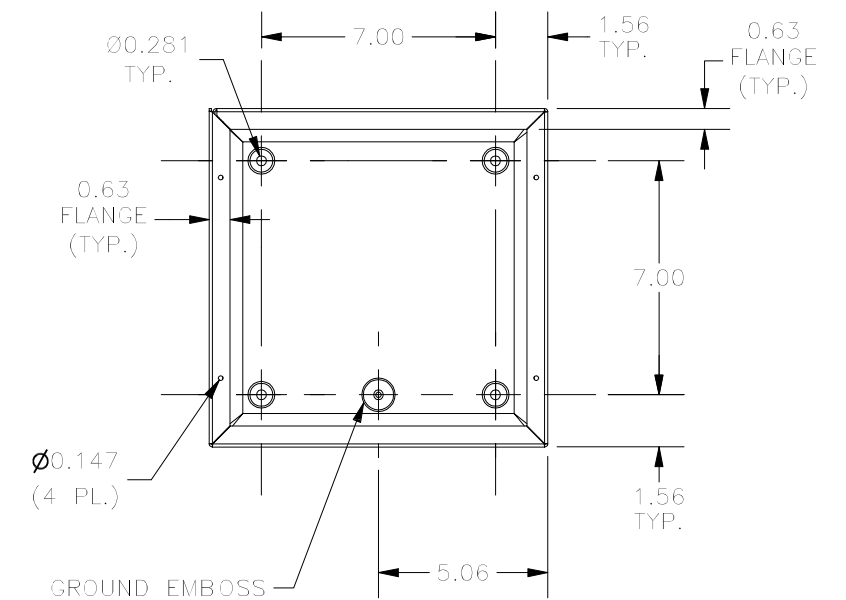
**LEFT SIDE VIEW**



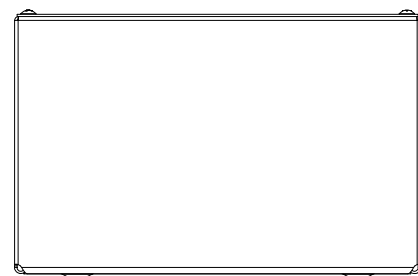
**FRONT VIEW**



**RIGHT SIDE VIEW**



**FRONT VIEW LID REMOVED**



**BOTTOM VIEW**

PART#: SC101006GNK  
 (DATA SUBJECT TO CHANGE WITHOUT NOTICE)

THIS DRAWING IS PROPERTY OF HUBBELL INC. WIEGMANN  
 ALL INFORMATION IS PROPRIETARY AND NOT TO BE DUPLICATED