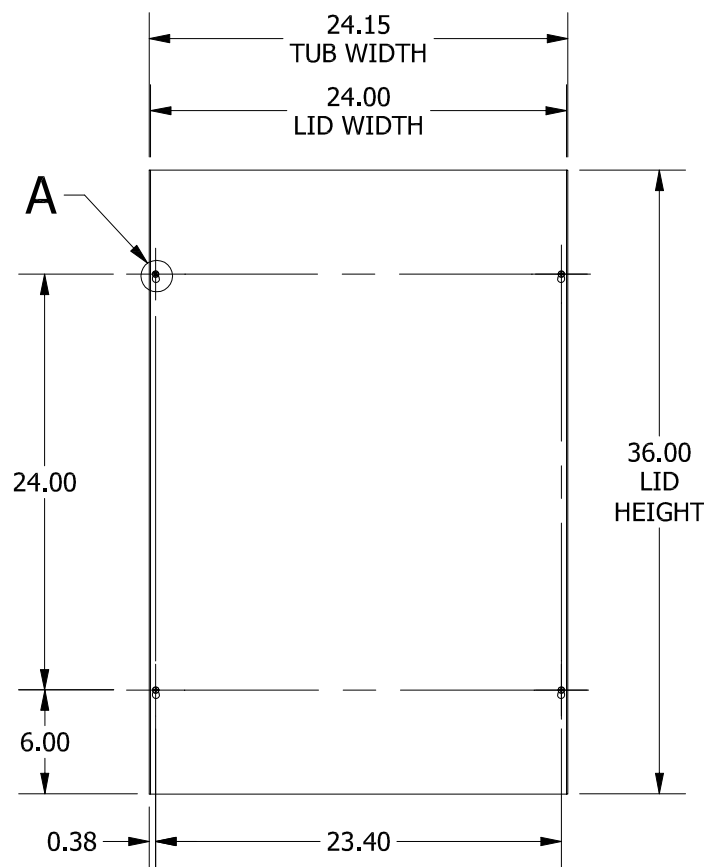
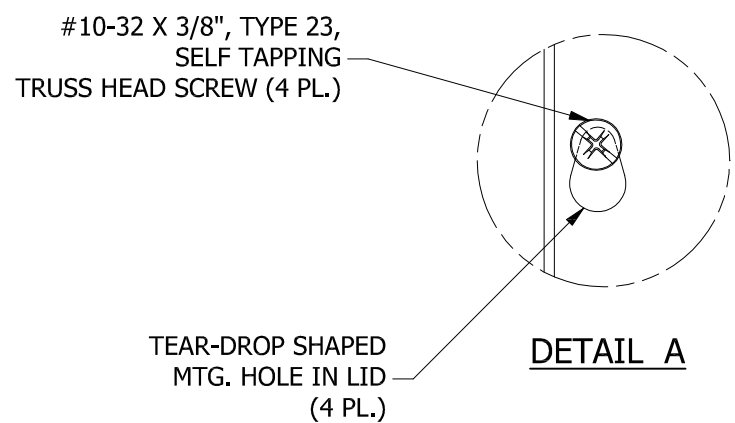
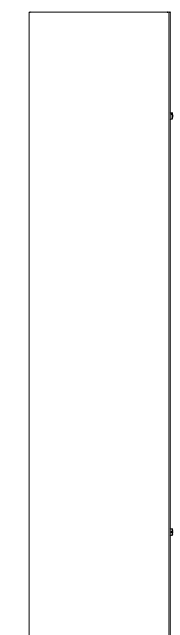


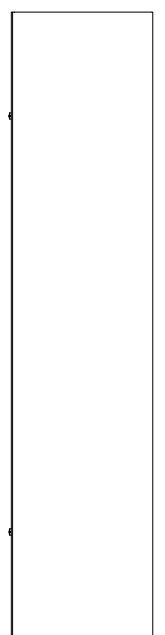
TOP VIEW



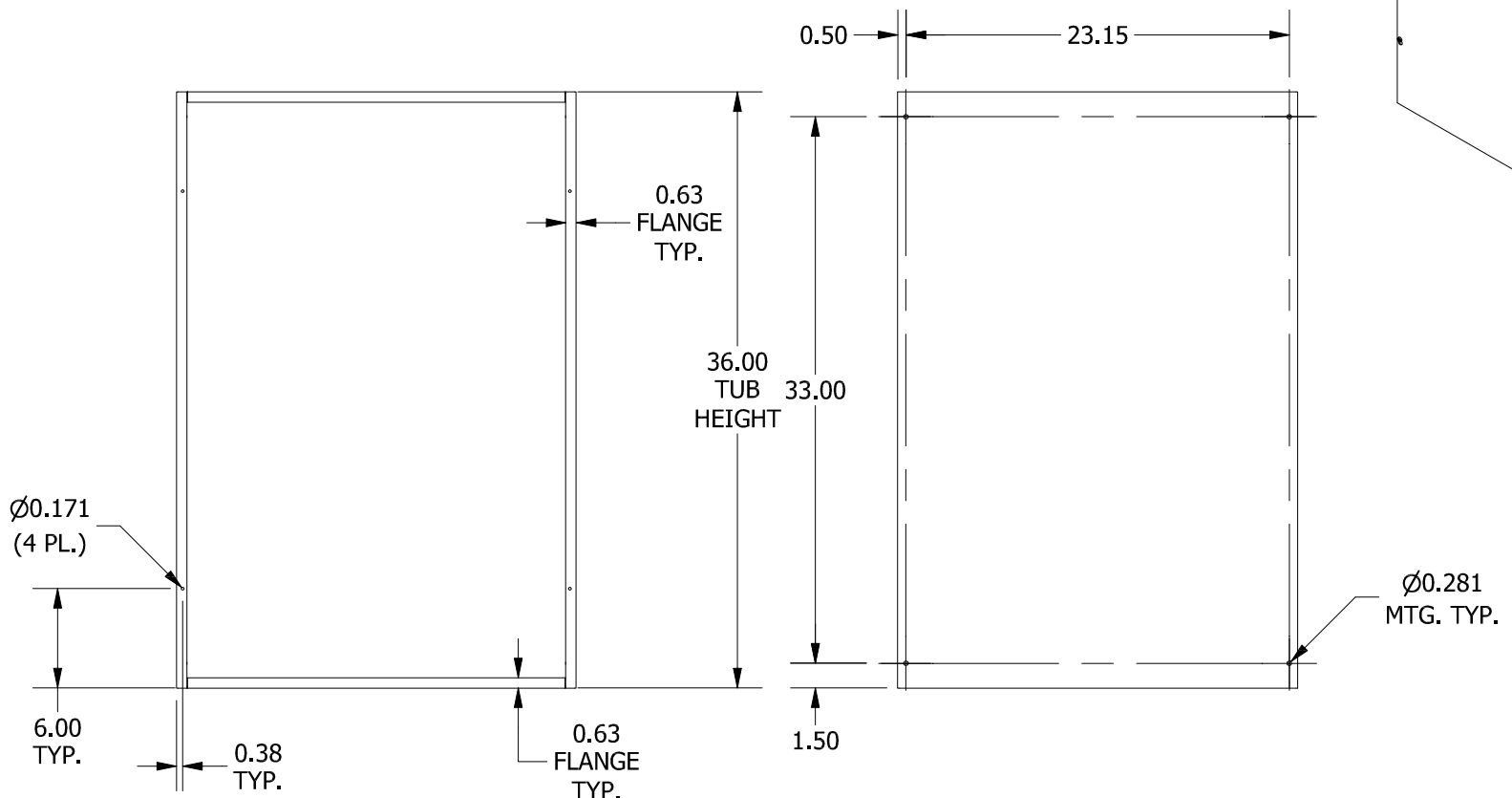
FRONT VIEW



LEFT SIDE VIEW

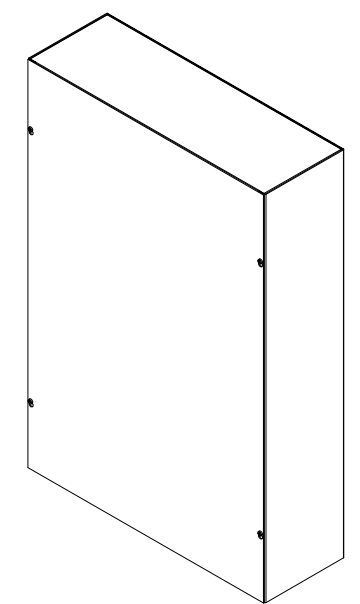


RIGHT SIDE VIEW



FRONT VIEW LID REMOVED

BACK VIEW



BOTTOM VIEW

PART#: SC243608GNK
(DATA SUBJECT TO CHANGE WITHOUT NOTICE)

THIS DRAWING IS PROPERTY OF HUBBELL INC. WIEGMANN
ALL INFORMATION IS PROPRIETARY AND NOT TO BE DUPLICATED