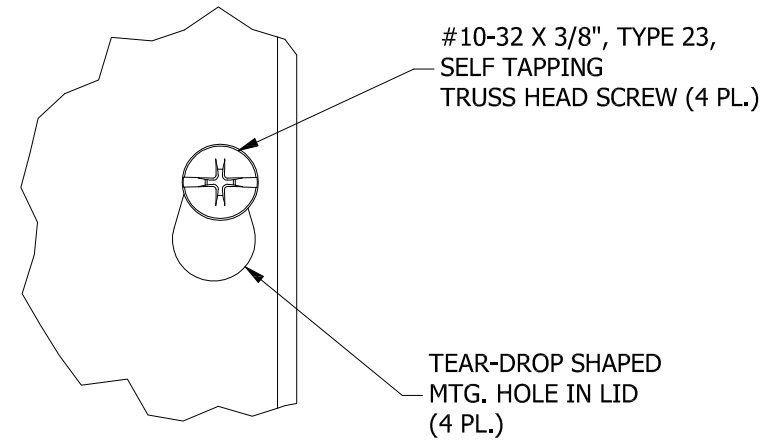
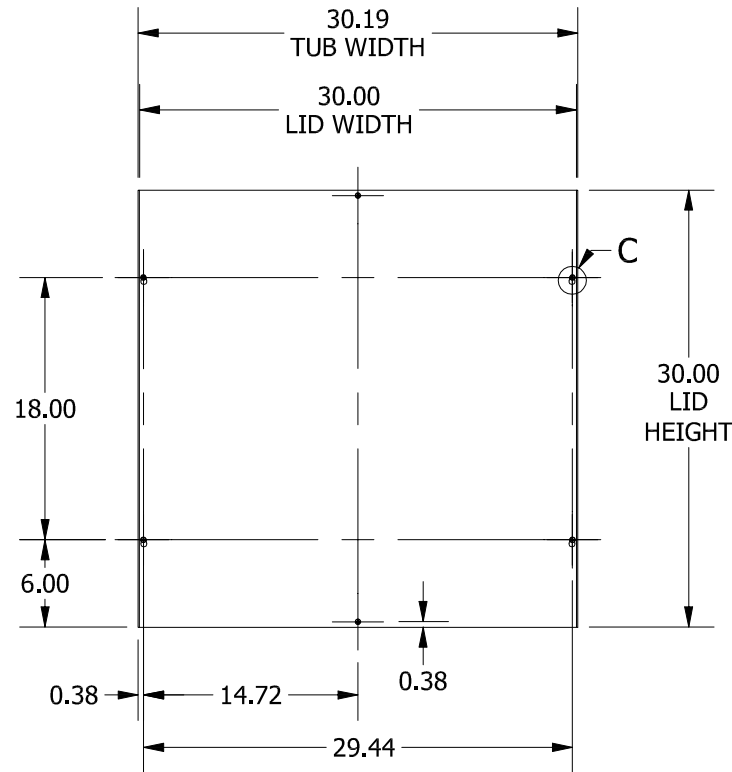
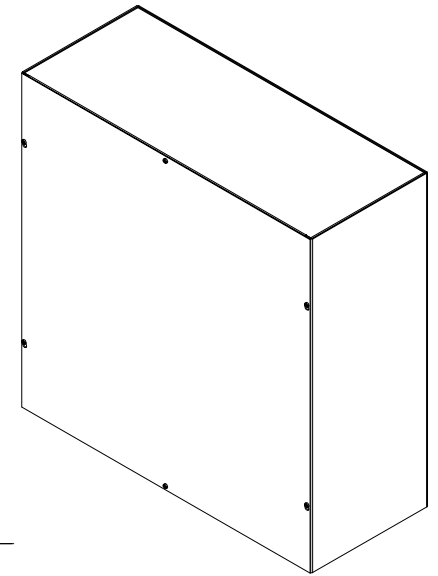


TOP VIEW



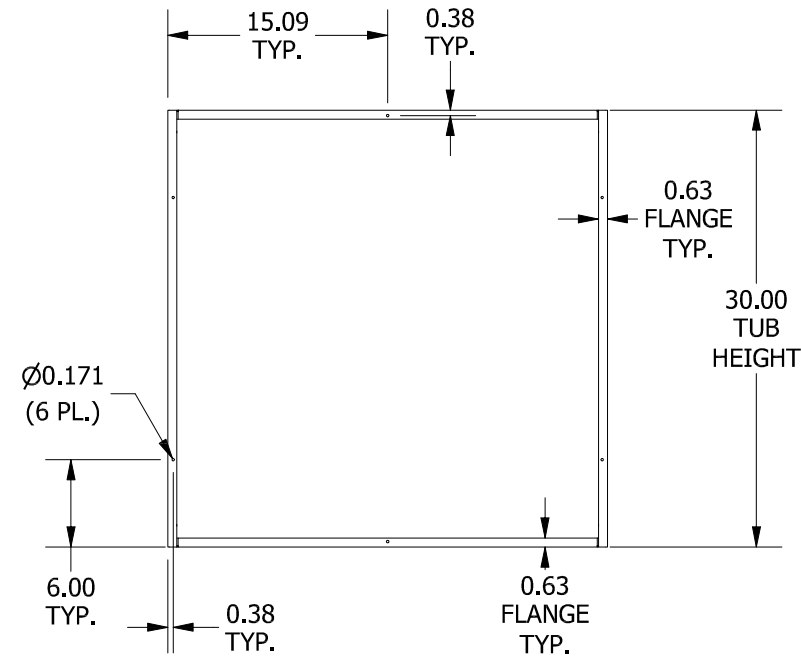
DETAIL C



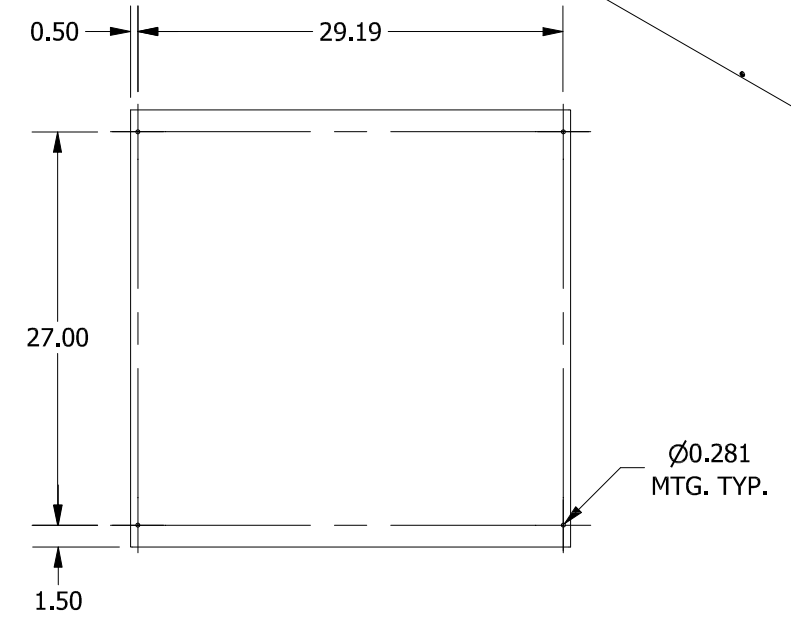
FRONT VIEW



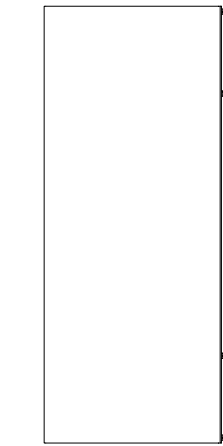
RIGHT SIDE VIEW



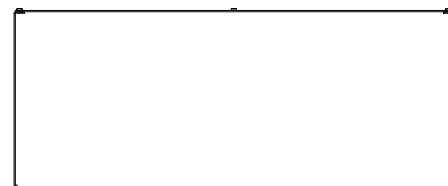
FRONT VIEW LID REMOVED



BACK VIEW



LEFT SIDE VIEW



BOTTOM VIEW

PART#: SC303012GNK  
 (DATA SUBJECT TO CHANGE WITHOUT NOTICE)

THIS DRAWING IS PROPERTY OF HUBBELL INC. WIEGMANN  
 ALL INFORMATION IS PROPRIETARY AND NOT TO BE DUPLICATED