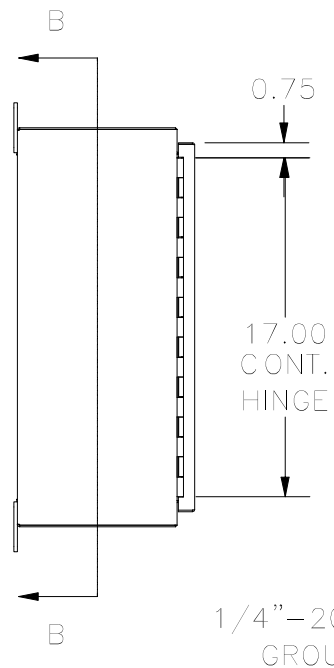
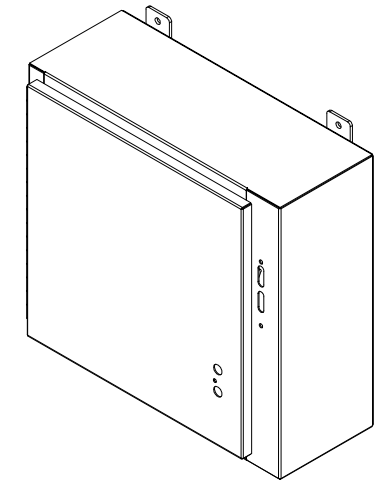
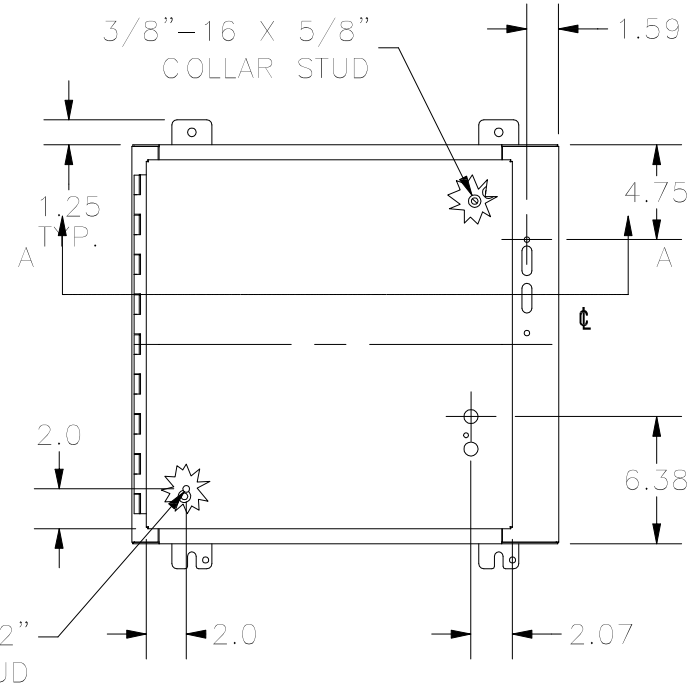


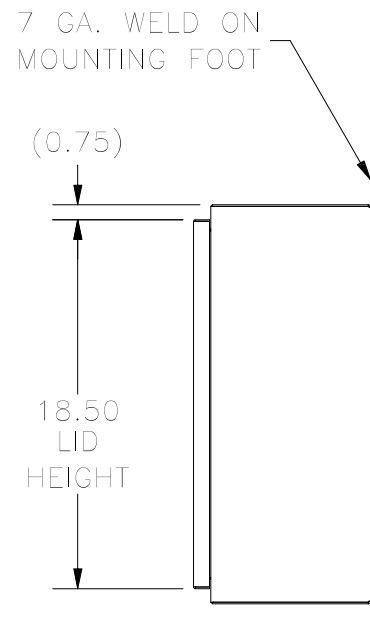
TOP VIEW



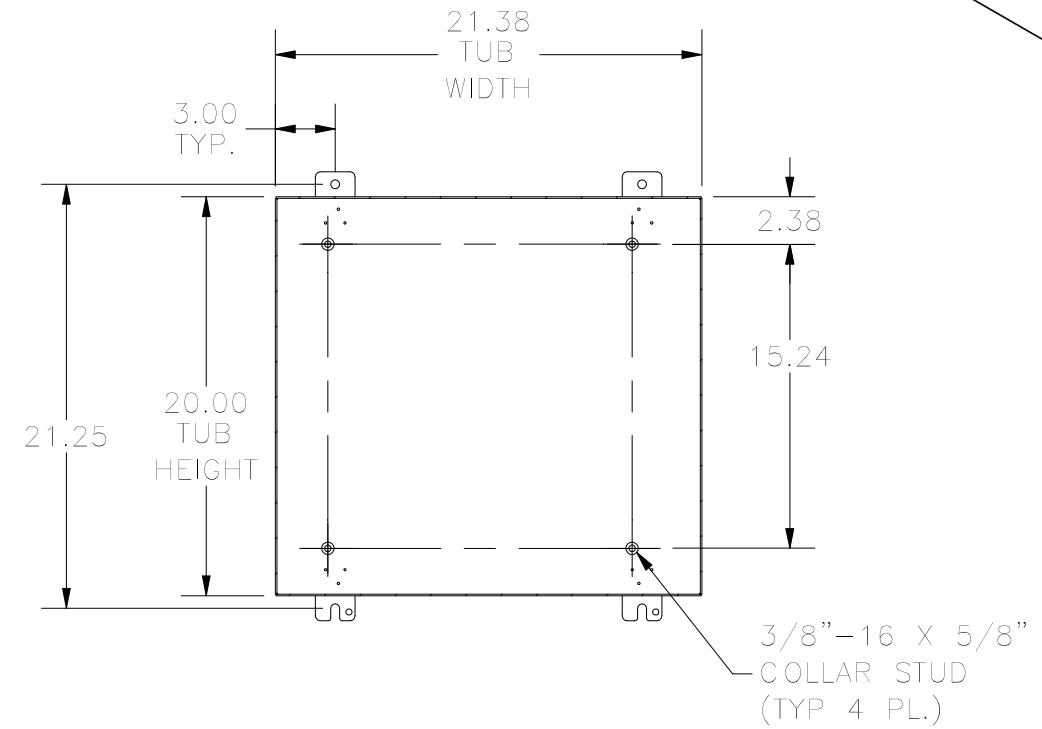
LEFT VIEW



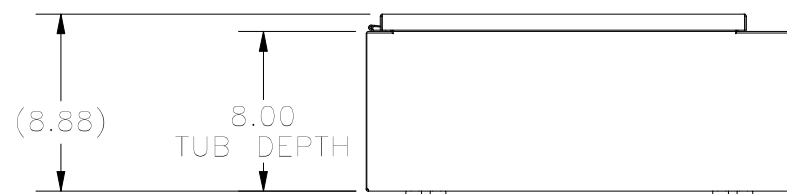
FRONT VIEW



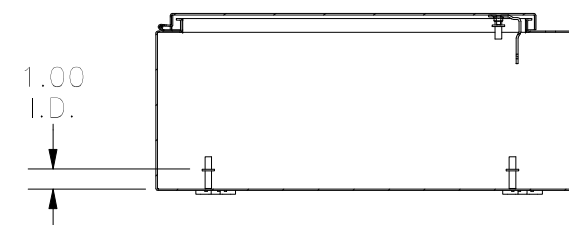
RIGHT VIEW



**SECTION B-B
(INSIDE BACK OF ENCLOSURE)**



BOTTOM VIEW



**SECTION A-A
(INSIDE TOP OF ENCLOSURE)**

PART#: SDN12202108
 (DATA SUBJECT TO CHANGE WITHOUT NOTICE)

THIS DRAWING IS PROPERTY OF HUBBELL INC. WIEGMANN
 ALL INFORMATION IS PROPRIETARY AND NOT TO BE DUPLICATED