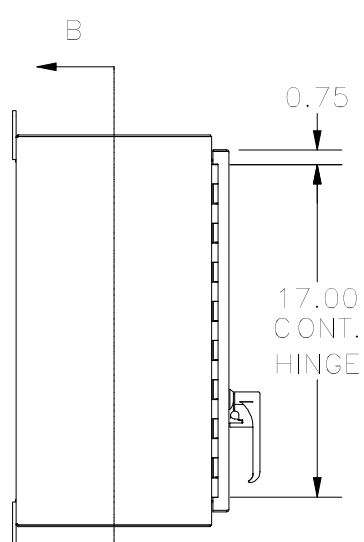
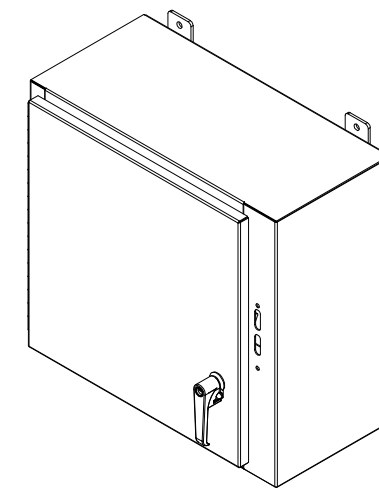
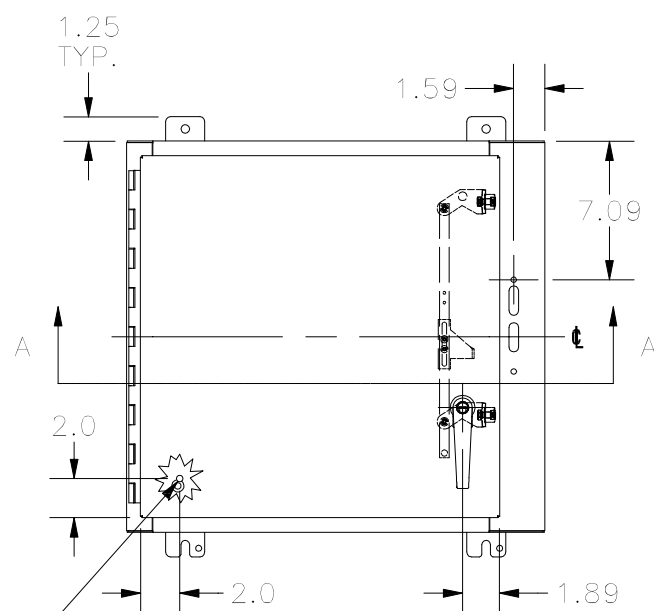


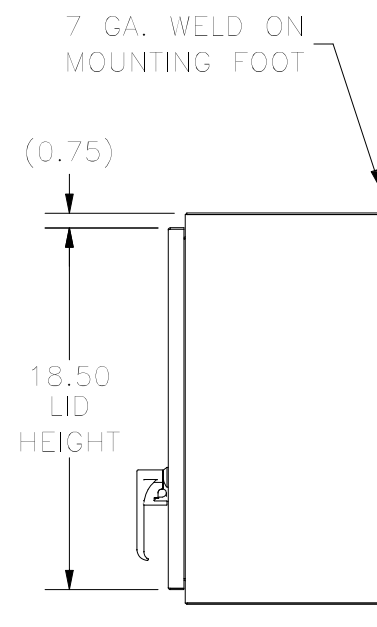
TOP VIEW



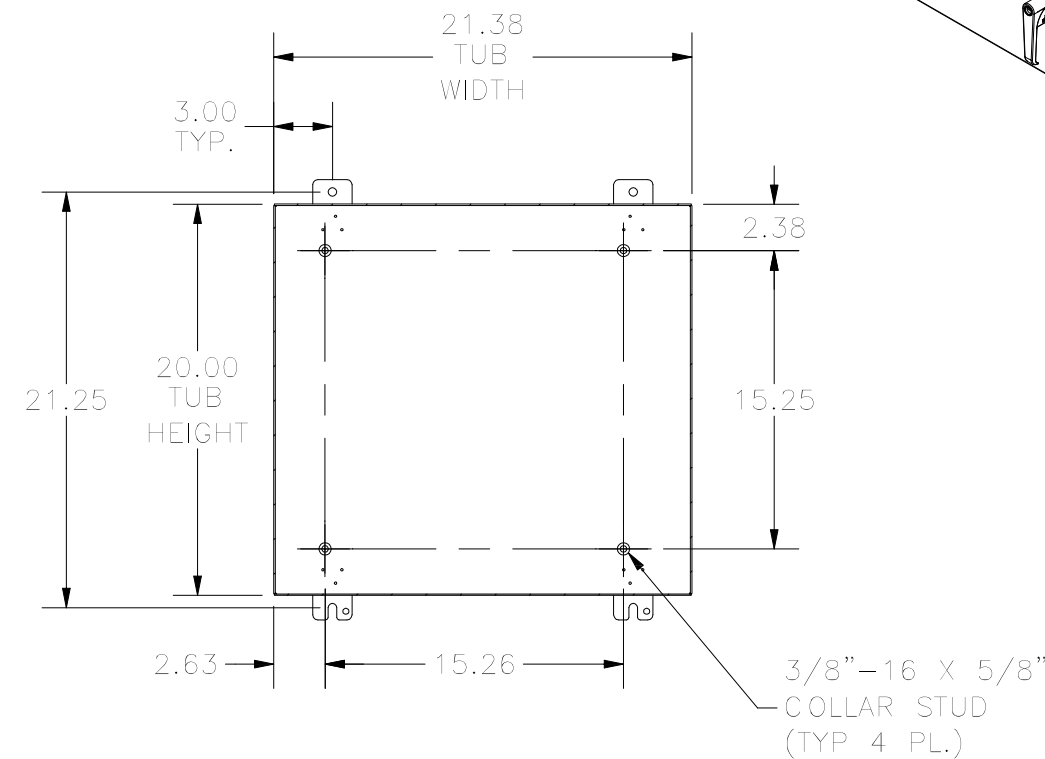
LEFT VIEW



FRONT VIEW



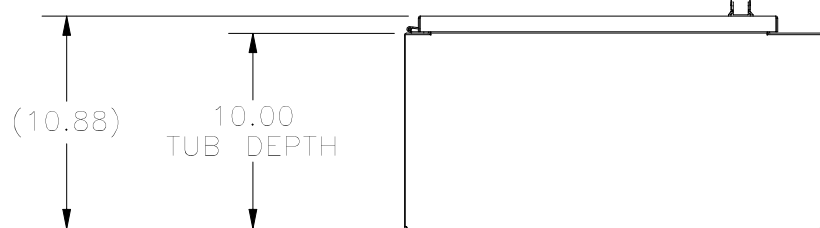
RIGHT VIEW



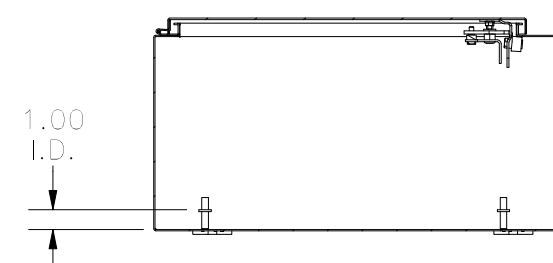
**SECTION B-B
(INSIDE BACK OF ENCLOSURE)**

1/4"-20 X 1/2"
GROUND STUD

ZINC DIECAST
PADLOCKING
DEFEATER HANDLE



BOTTOM VIEW



**SECTION A-A
(INSIDE TOP OF ENCLOSURE)**

PART#: SDN12202110PL
(DATA SUBJECT TO CHANGE WITHOUT NOTICE)

THIS DRAWING IS PROPERTY OF HUBBELL INC. WIEGMANN
ALL INFORMATION IS PROPRIETARY AND NOT TO BE DUPLICATED