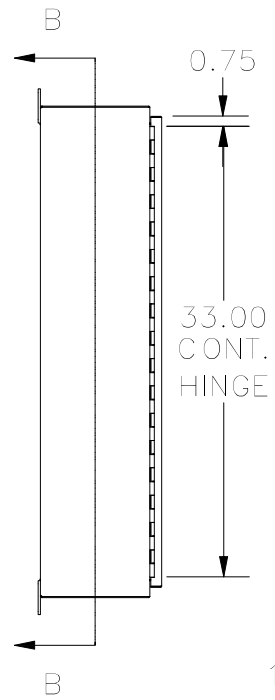
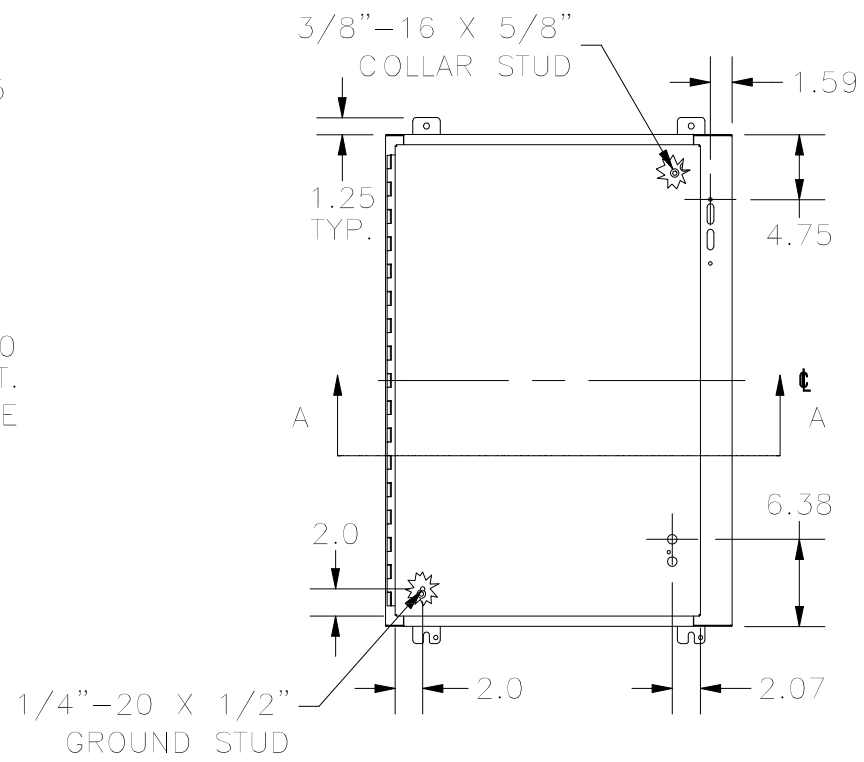


**TOP VIEW**

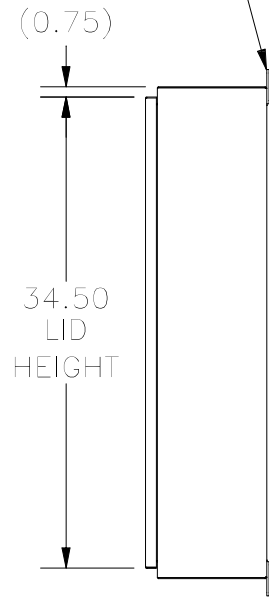


**LEFT VIEW**

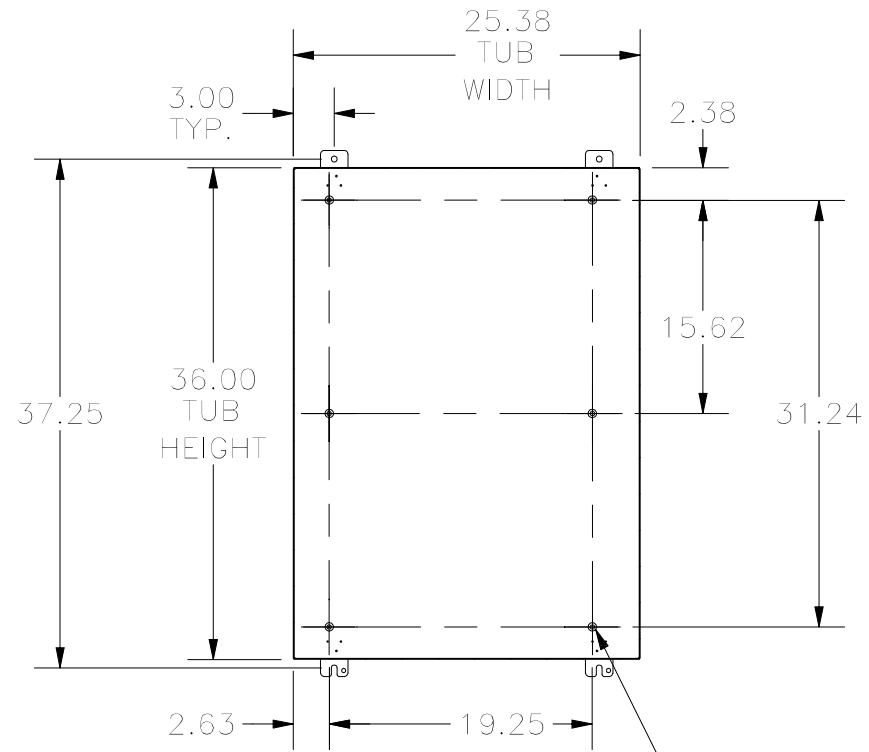


**FRONT VIEW**

7 GA. WELD ON MOUNTING FOOT

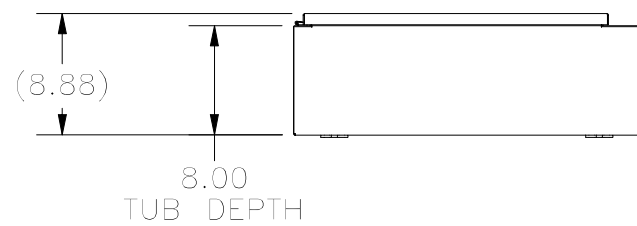


**RIGHT VIEW**

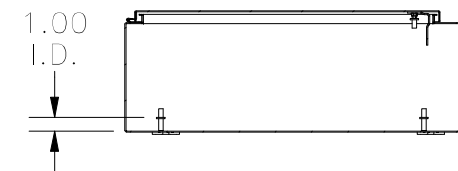


**SECTION B-B  
(INSIDE BACK OF ENCLOSURE)**

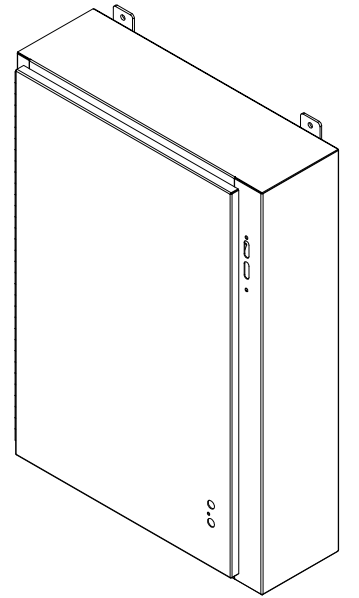
3/8" - 16 X 5/8" COLLAR STUD (TYP 6 PL.)



**BOTTOM VIEW**



**SECTION A-A  
(INSIDE TOP OF ENCLOSURE)**



PART#: SDN12362508  
(DATA SUBJECT TO CHANGE WITHOUT NOTICE)

THIS DRAWING IS PROPERTY OF HUBBELL INC. WIEGMANN  
ALL INFORMATION IS PROPRIETARY AND NOT TO BE DUPLICATED