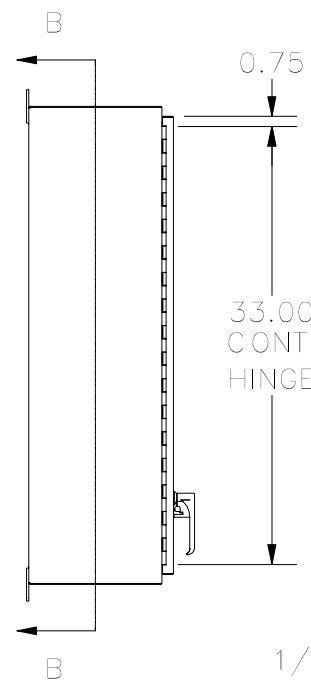
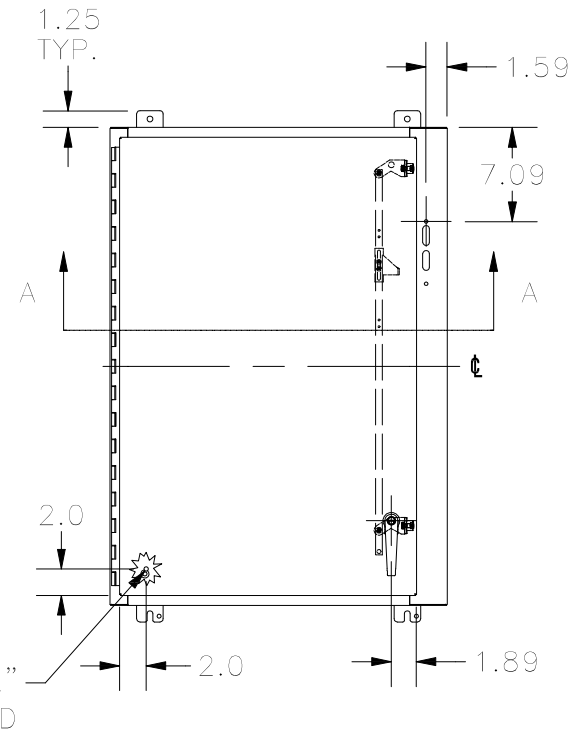


TOP VIEW

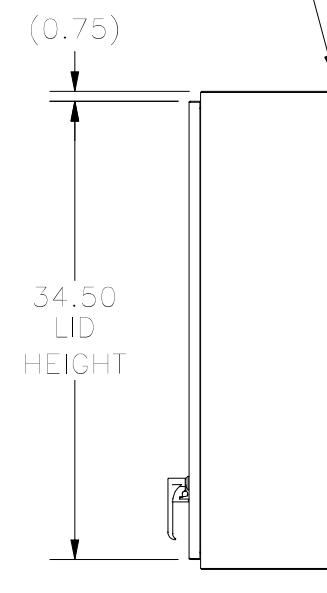


LEFT VIEW

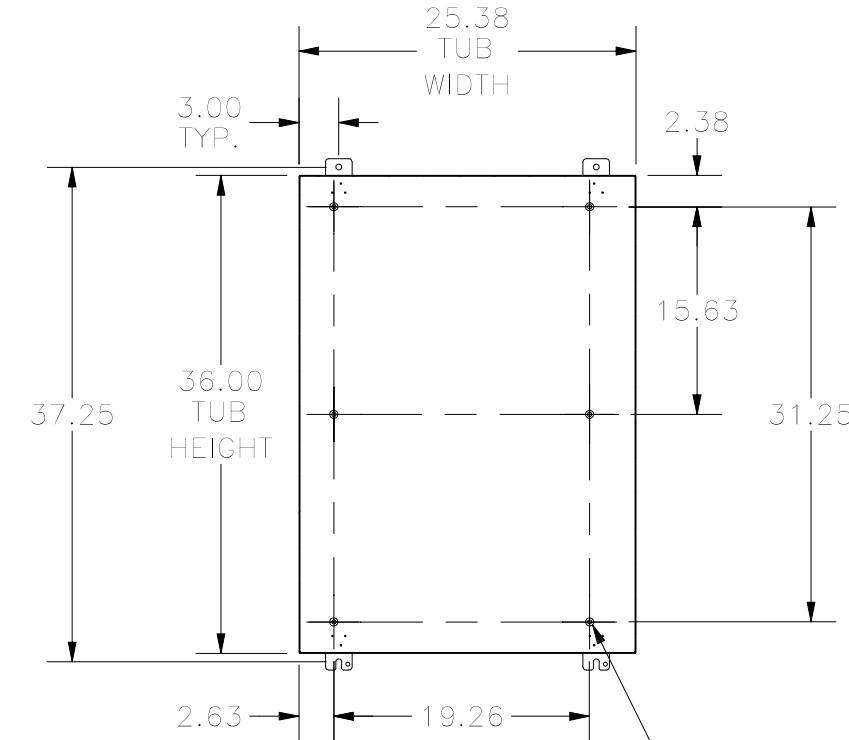


FRONT VIEW

7 GA. WELD ON MOUNTING FOOT

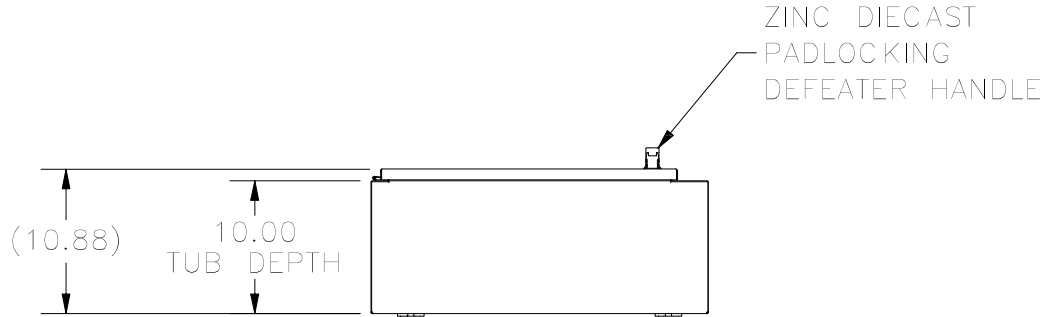


RIGHT VIEW

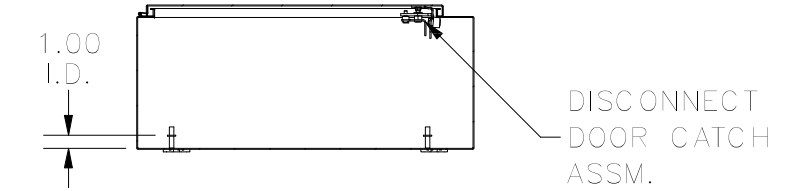


SECTION B-B (INSIDE BACK OF ENCLOSURE)

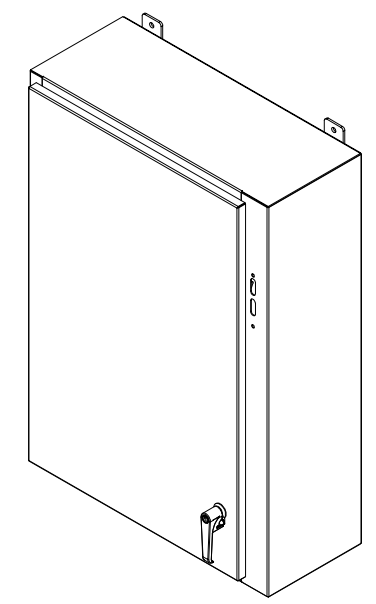
3/8"-16 X 5/8" COLLAR STUD (TYP 6 PL.)



BOTTOM VIEW



SECTION A-A (INSIDE TOP OF ENCLOSURE)



PART#: SDN12362510PL
(DATA SUBJECT TO CHANGE WITHOUT NOTICE)

THIS DRAWING IS PROPERTY OF HUBBELL INC. WIEGMANN
ALL INFORMATION IS PROPRIETARY AND NOT TO BE DUPLICATED