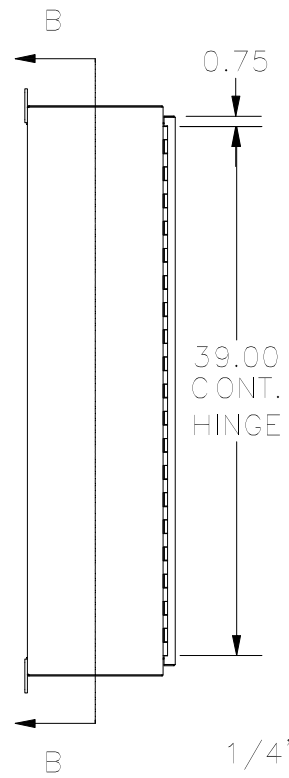
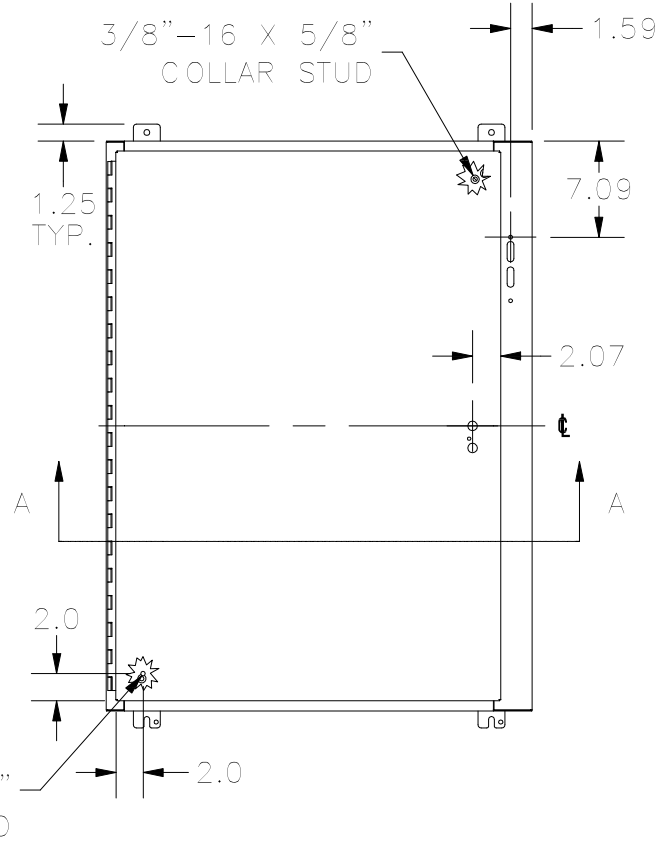


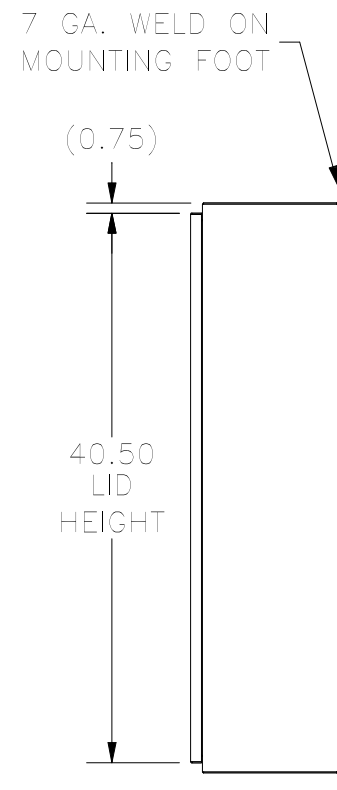
**TOP VIEW**



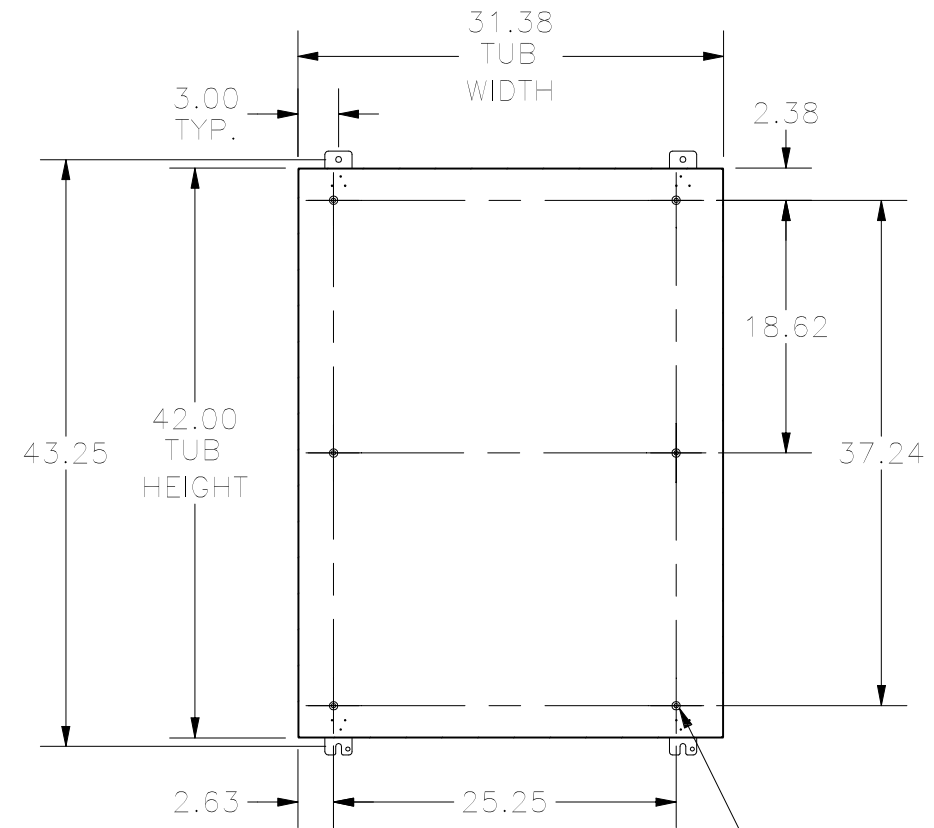
**LEFT VIEW**



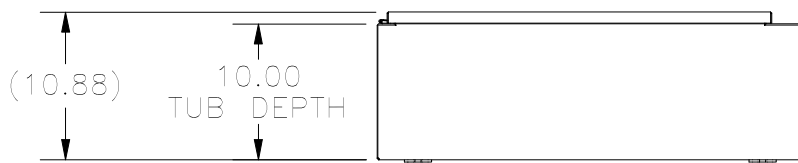
**FRONT VIEW**



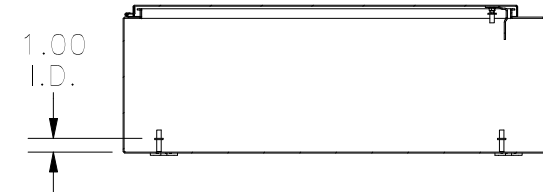
**RIGHT VIEW**



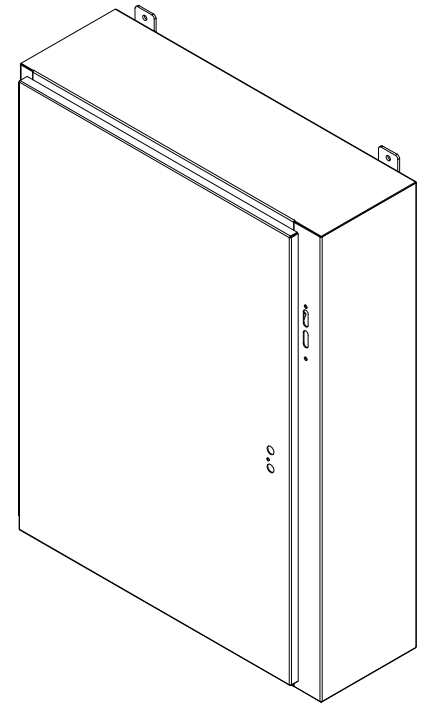
**SECTION B-B  
(INSIDE BACK OF ENCLOSURE)**



**BOTTOM VIEW**



**SECTION A-A  
(INSIDE TOP OF ENCLOSURE)**



PART#: SDN12423110  
 (DATA SUBJECT TO CHANGE WITHOUT NOTICE)

THIS DRAWING IS PROPERTY OF HUBBELL INC. WIEGMANN  
 ALL INFORMATION IS PROPRIETARY AND NOT TO BE DUPLICATED