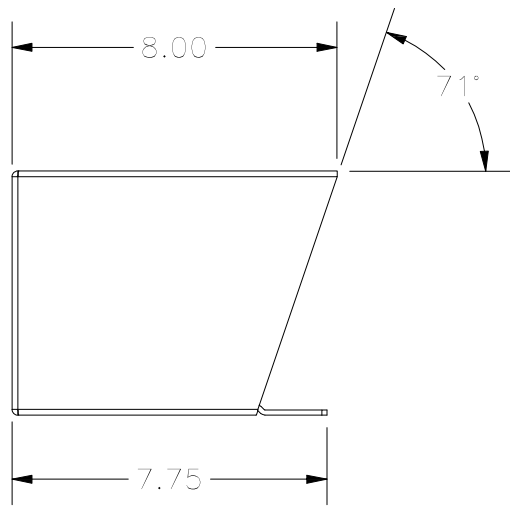
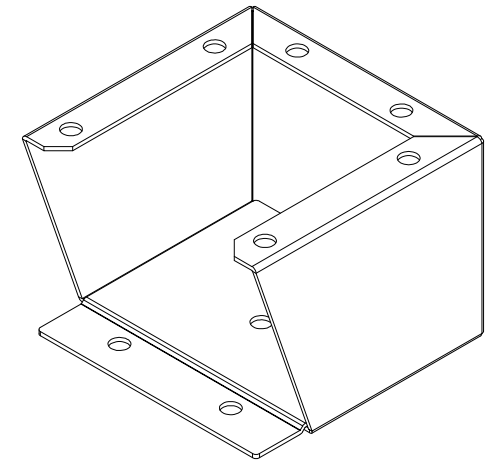
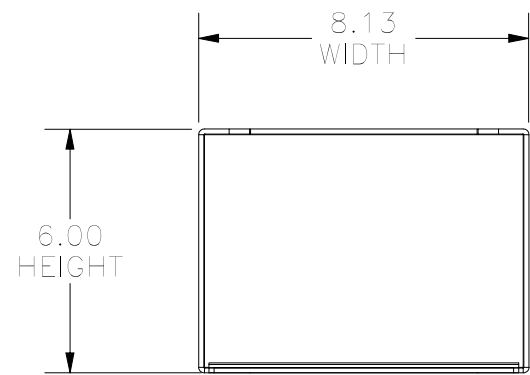


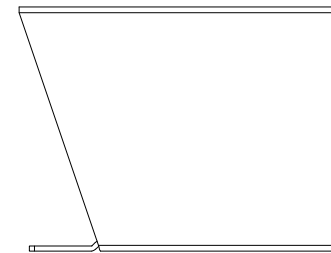
TOP VIEW



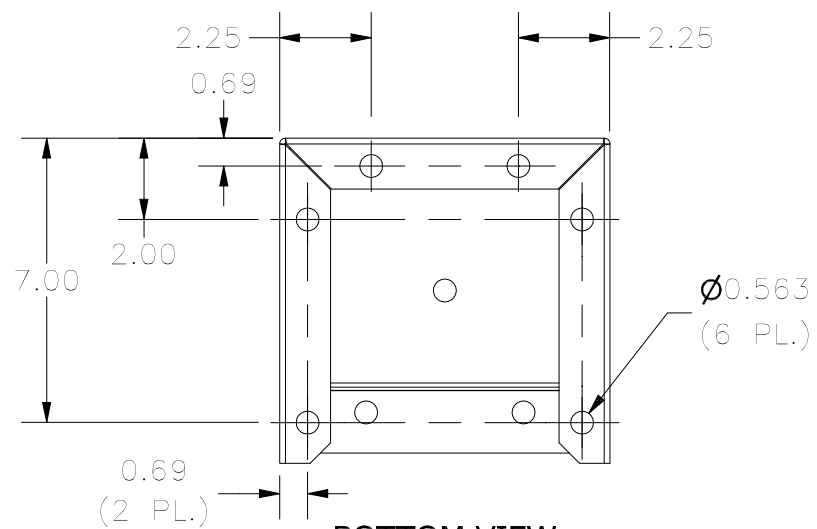
LEFT VIEW



FRONT VIEW



RIGHT VIEW



BOTTOM VIEW

PART#: SSFK0608
 (DATA SUBJECT TO CHANGE WITHOUT NOTICE)