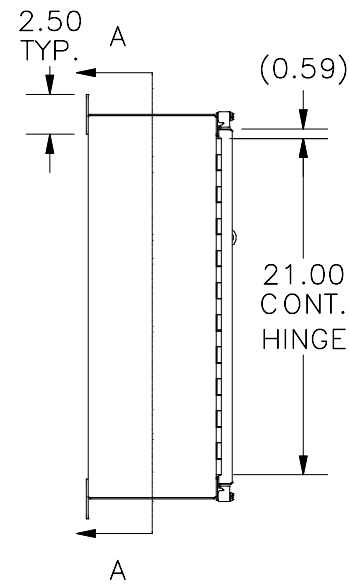
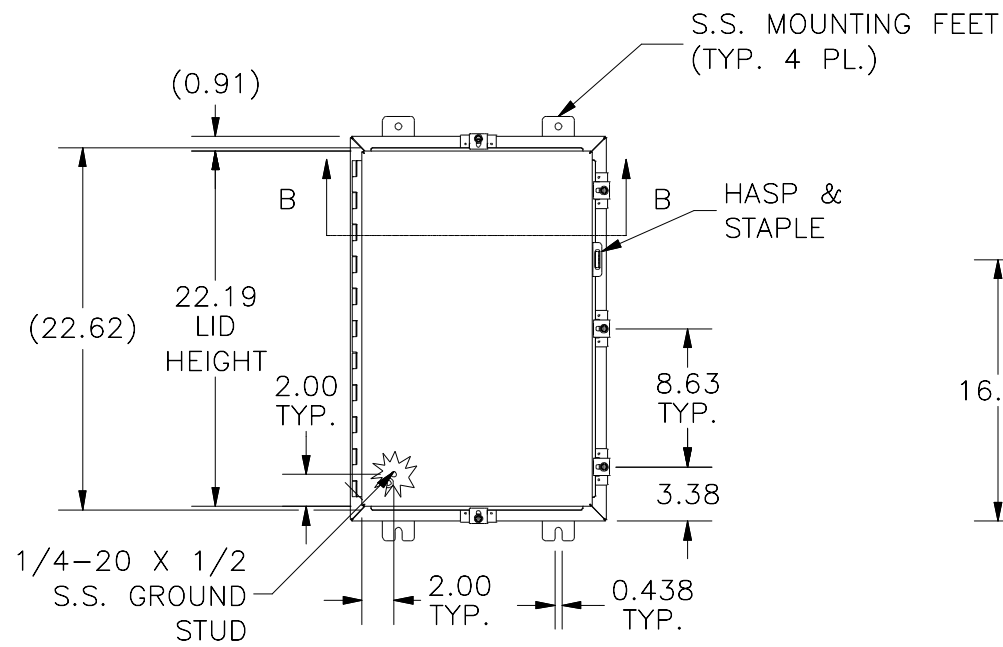


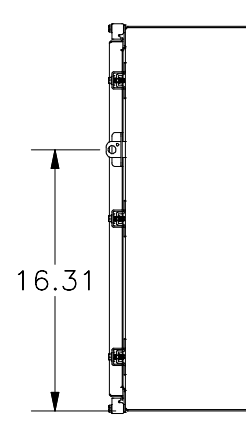
TOP VIEW



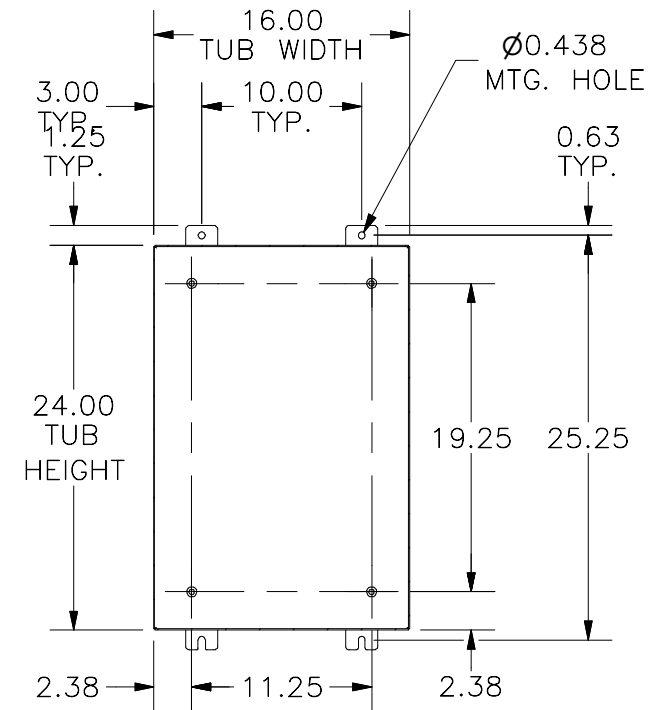
LEFT SIDE



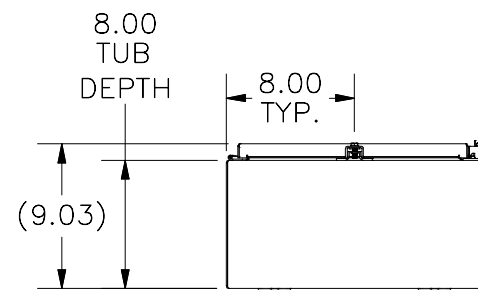
FRONT VIEW



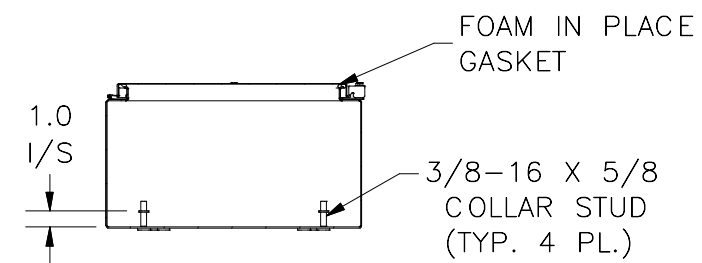
RIGHT VIEW



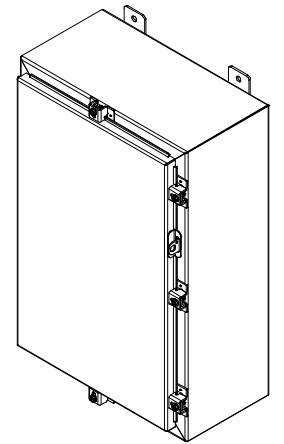
SECTION A-A



BOTTOM VIEW



SECTION B-B



PART#: HWDSSN4241608
 (DATA SUBJECT TO CHANGE WITHOUT NOTICE)

THIS DRAWING IS PROPERTY OF HUBBELL INC. WIEGMANN
 ALL INFORMATION IS PROPRIETARY AND NOT TO BE DUPLICATED