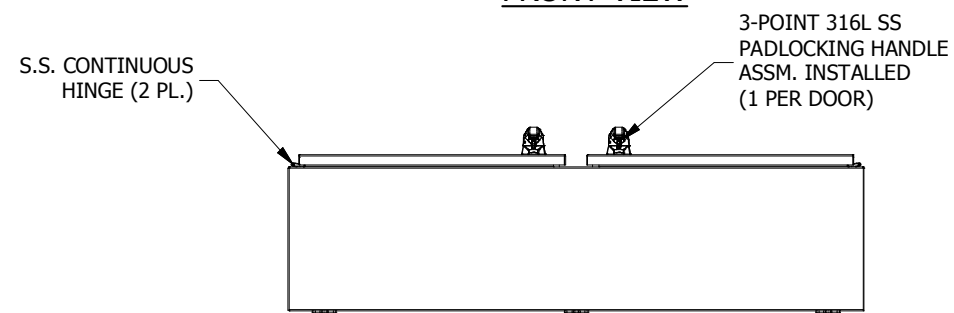


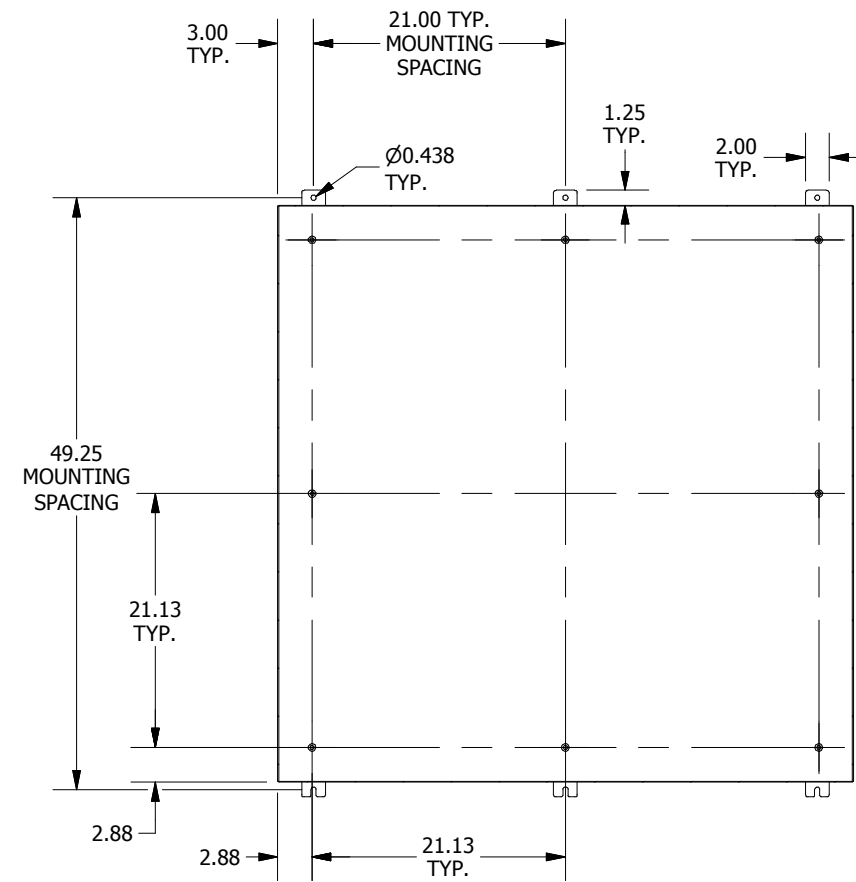
LEFT SIDE VIEW

FRONT VIEW

RIGHT SIDE VIEW

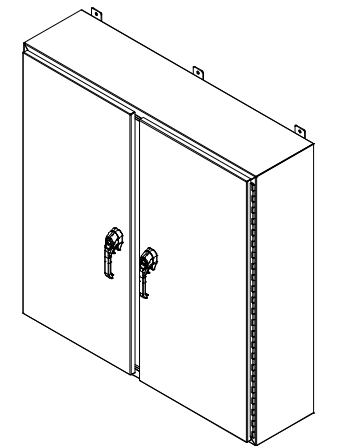
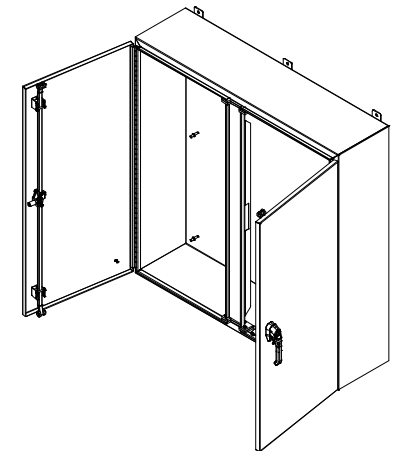


BOTTOM VIEW



SECTION A-A
(INSIDE BACK VIEW OF ENCL.)

SECTION B-B
(INSIDE VIEW OF TOP)



PART#: SSN4484812WF3PT
(DATA SUBJECT TO CHANGE WITHOUT NOTICE)

THIS DRAWING IS PROPERTY OF HUBBELL INC. WIEGMANN
ALL INFORMATION IS PROPRIETARY AND NOT TO BE DUPLICATED