

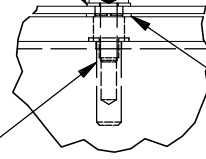
TOP VIEW

WASHER, NYLON,  
FLAT, 3/16 X 7/16

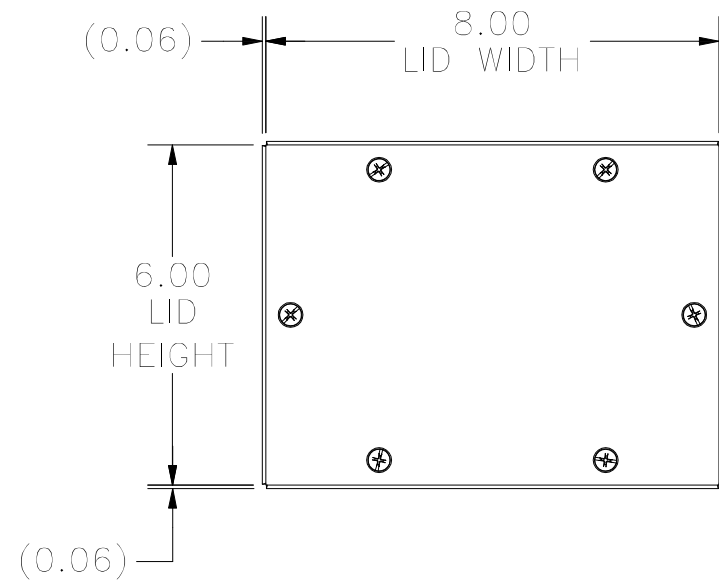
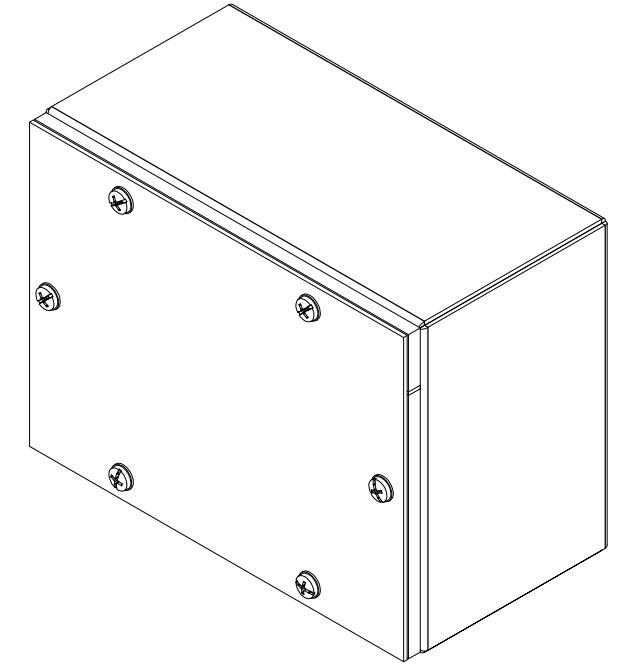
SCREW, S.S., CAPTIVE  
10-32 X 19/32

NUT, RIV, C.END.  
10-32 X 0.80-.130G

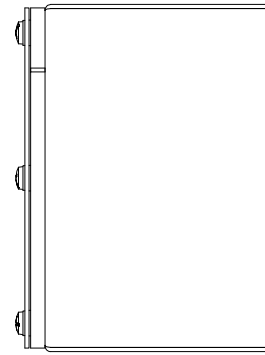
RETAINING WASHER,  
NYLON, .453 O.D.



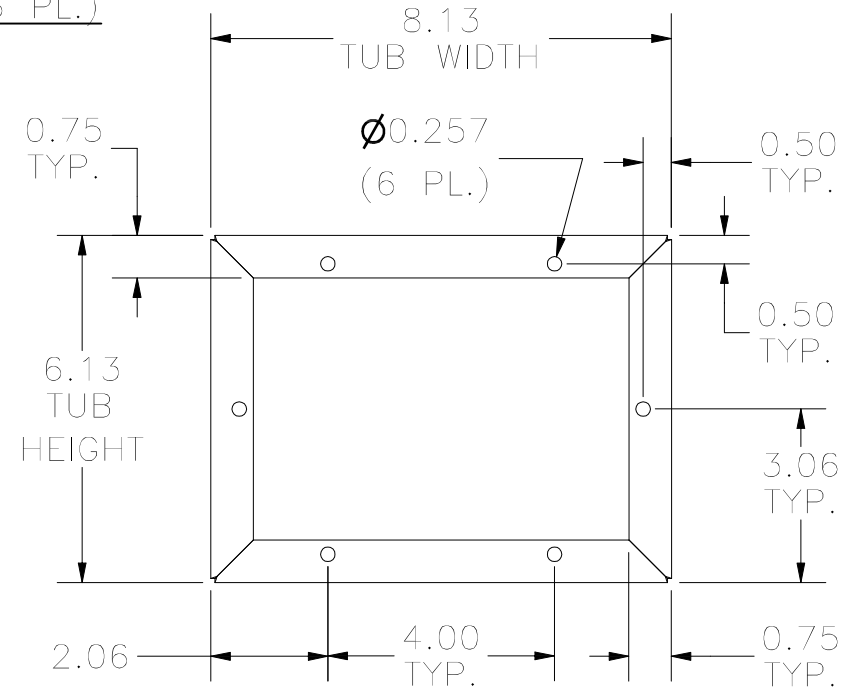
DETAIL D  
(6 PL.)



FRONT VIEW

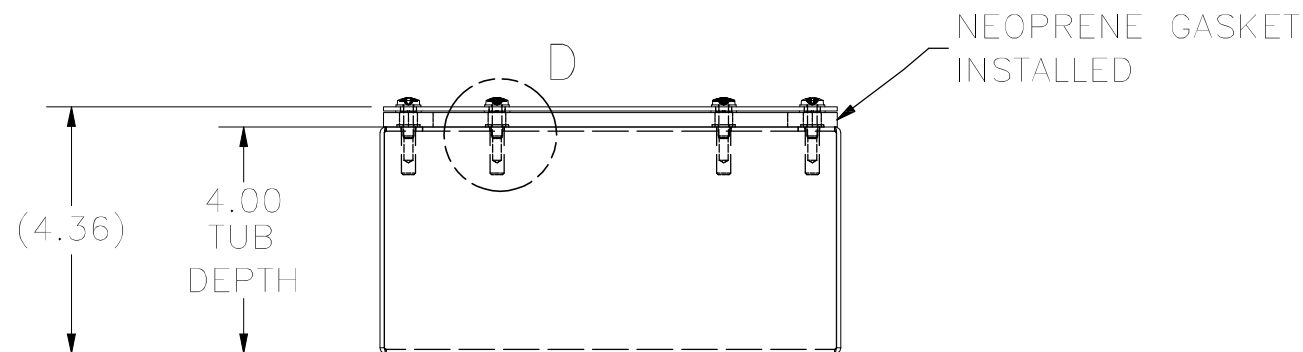


RIGHT SIDE VIEW



FRONT VIEW OF TUB

LEFT SIDE VIEW



BOTTOM VIEW

NOTE:

- 1-MATERIAL OF THE ENCLOSURE IS 14 GA. CARBON STEEL
- 2-ENCLOSURE SEALS WITH NEOPRENE GASKET
- 3-LID SECURED BY S.S., CAPTIVE SCREW #10-32 X 19/32 INTO SEALED WELLS
- 4-ALL DIMENSIONS FROM OUTSIDE UNLESS OTHERWISE NOTED
- 5-FINISH: INTERIOR / EXTERIOR -ANSI 61 GRAY POLYESTER POWDER
- 6-ALL SEAMS ARE CONTINUOUSLY SEAM WELDED AND GROUND SMOOTH

PART#: WA060804GSC  
(DATA SUBJECT TO CHANGE WITHOUT NOTICE)

THIS DRAWING IS PROPERTY OF HUBBELL INC. WIEGMANN  
ALL INFORMATION IS PROPRIETARY AND NOT TO BE DUPLICATED