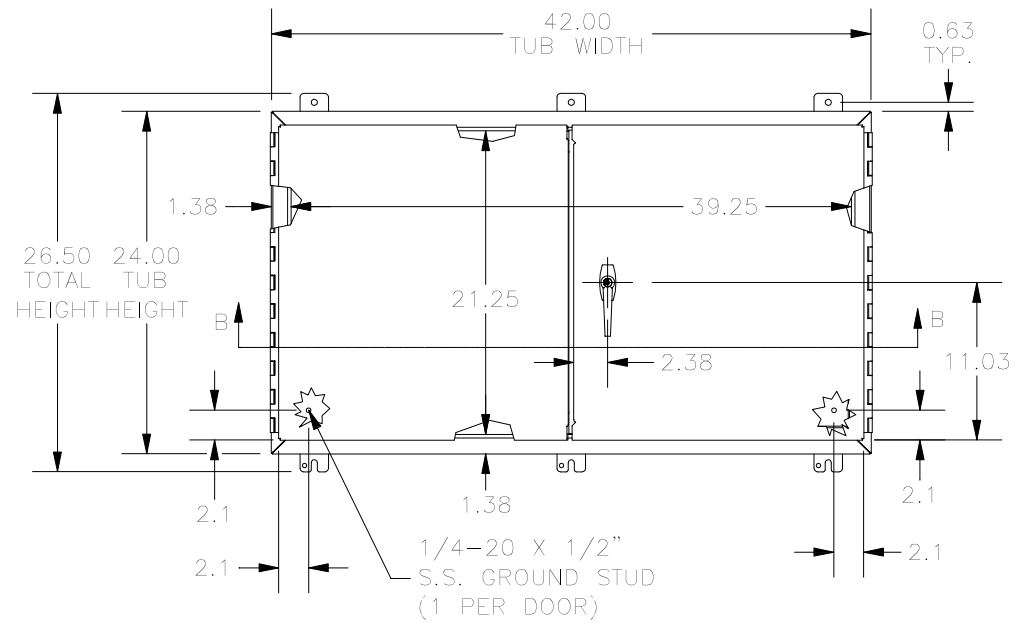
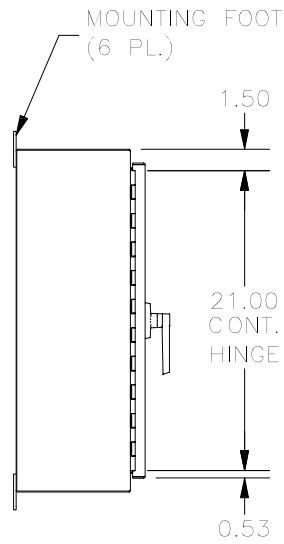
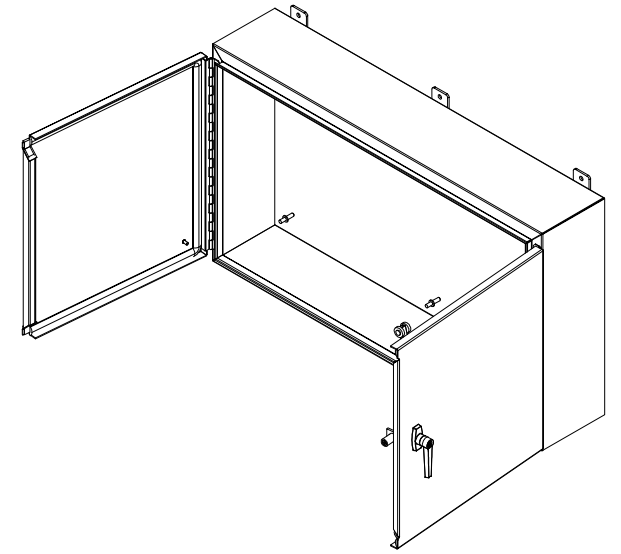
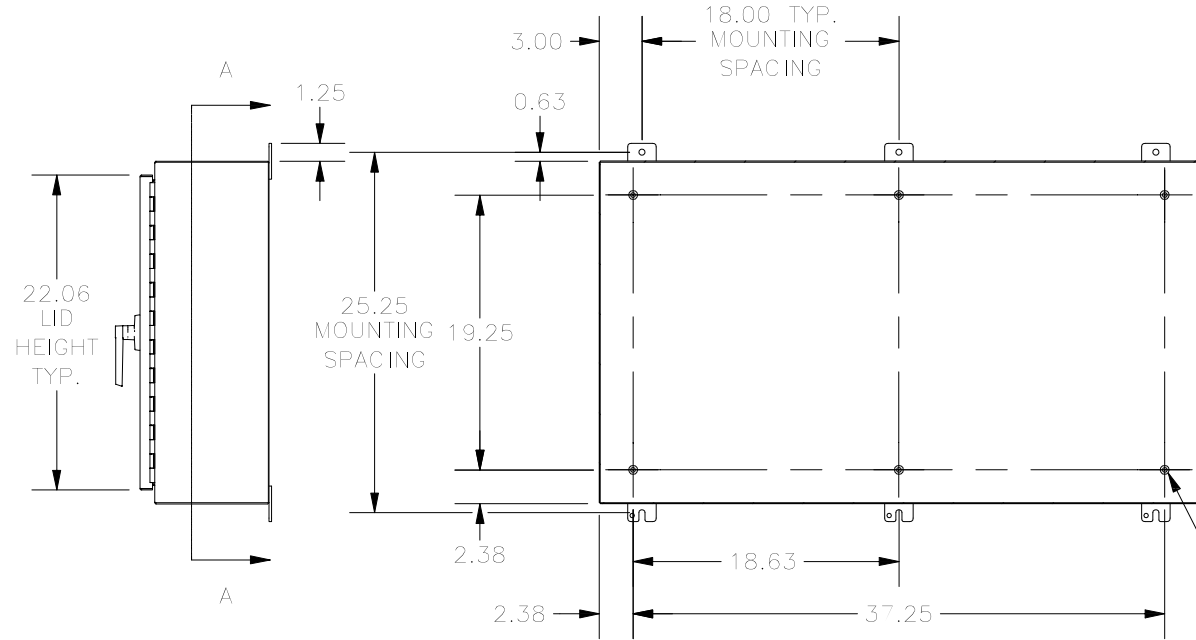


TOP VIEW

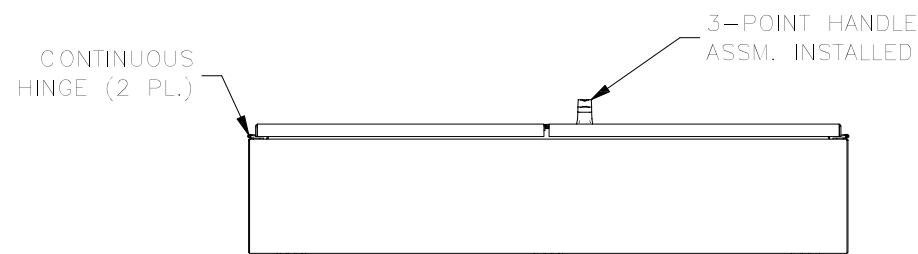
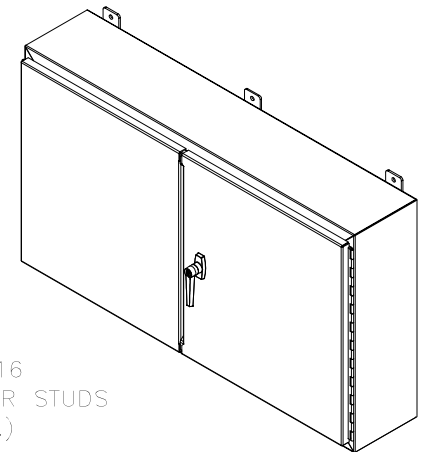


FRONT VIEW

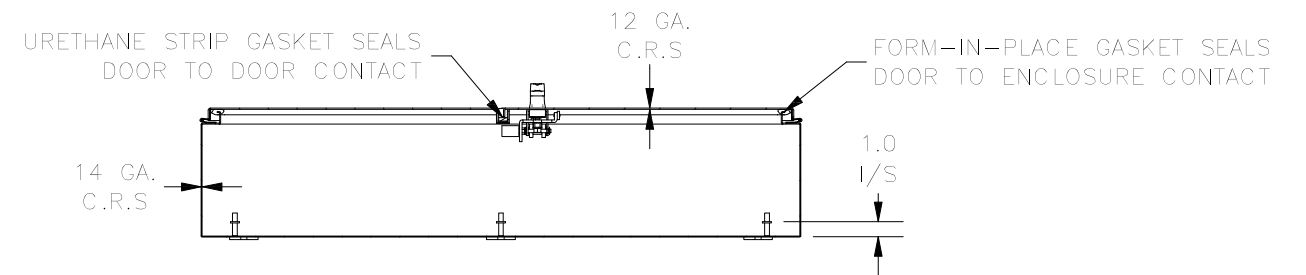


RIGHT SIDE VIEW

**SECTION A-A
(INSIDE BACK VIEW OF ENCL.)**



BOTTOM VIEW



**SECTION B-B
(INSIDE VIEW OF TOP)**

PART#: WA366012WF
(DATA SUBJECT TO CHANGE WITHOUT NOTICE)

THIS DRAWING IS PROPERTY OF HUBBELL INC. WIEGMANN
ALL INFORMATION IS PROPRIETARY AND NOT TO BE DUPLICATED