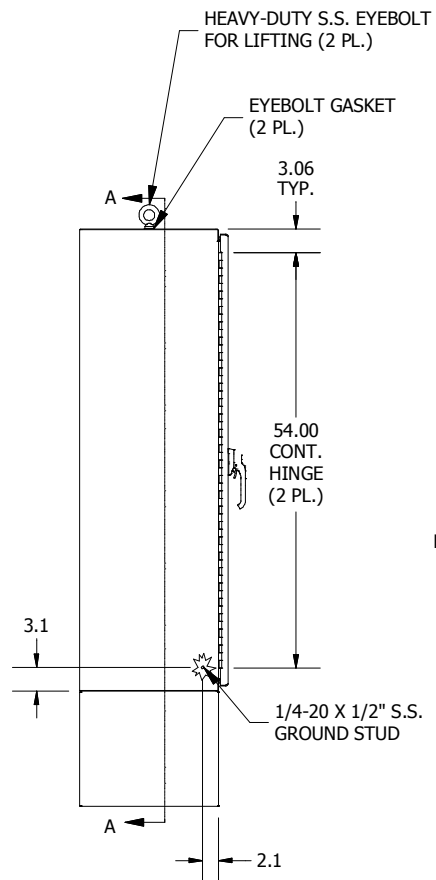
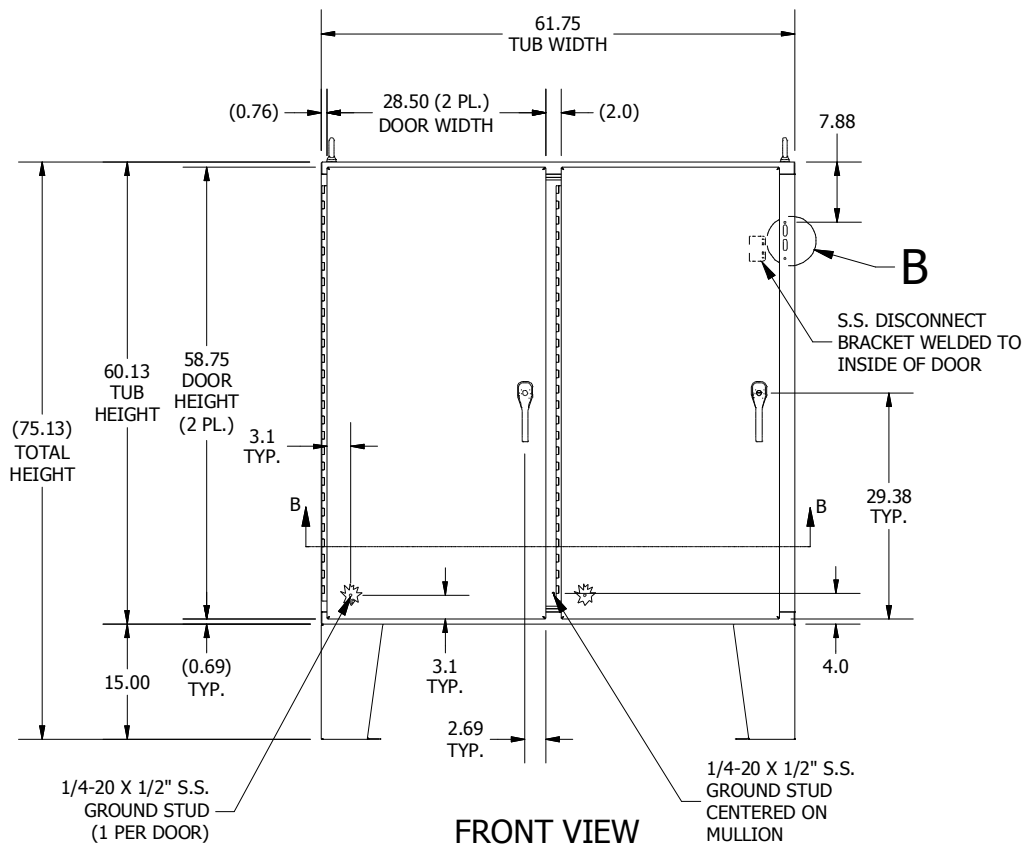


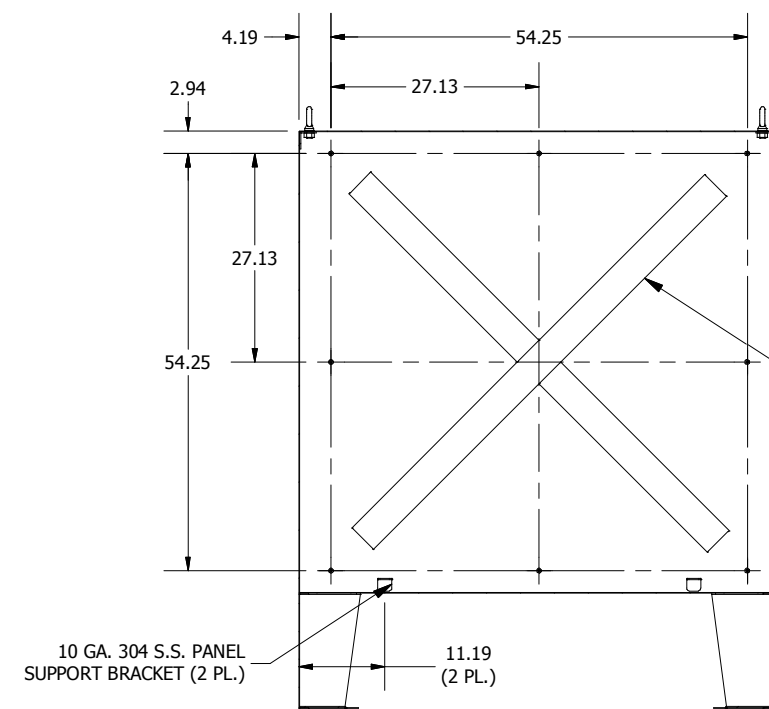
**TOP VIEW**



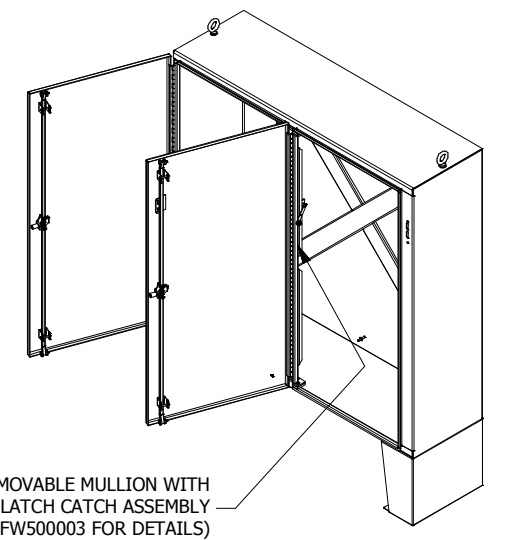
**LEFT SIDE VIEW**



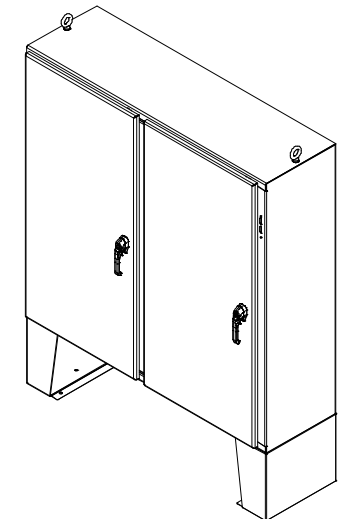
**FRONT VIEW**



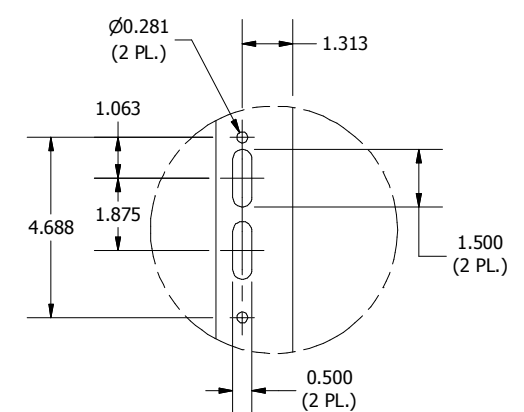
**SECTION A-A  
(INSIDE BACK OF ENCL.)**



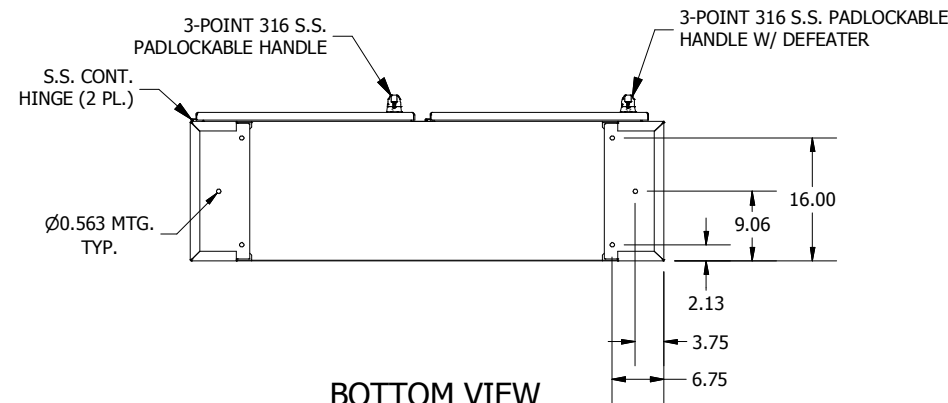
REMOVABLE MULLION WITH DISCONNECT LATCH CATCH ASSEMBLY (SEE HWDHFW500003 FOR DETAILS)



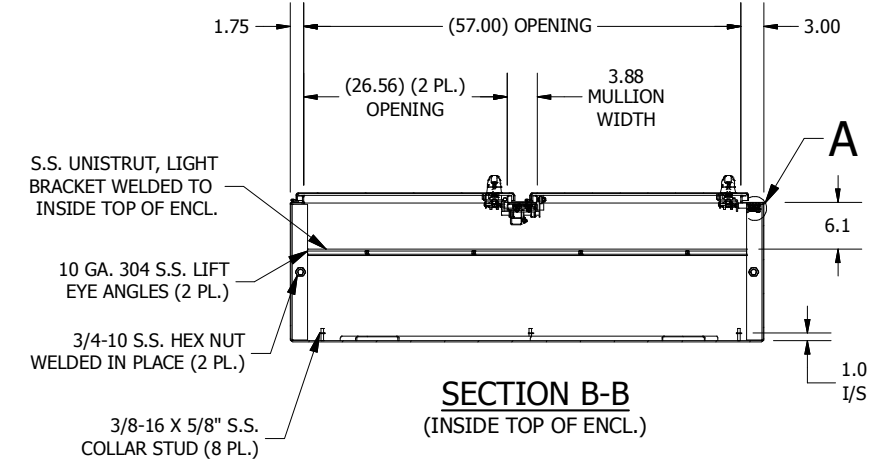
10 GA. 304 S.S. CROSS STIFFENERS INSTALLED



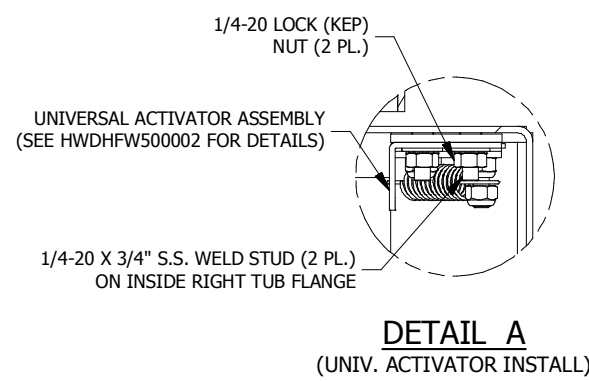
**DETAIL B  
(DISCONNECT CUTOUT DETAIL)**



**BOTTOM VIEW**



**SECTION B-B  
(INSIDE TOP OF ENCL.)**



**DETAIL A  
(UNIV. ACTIVATOR INSTALL)**

PART#: HWDWA60X6118SSN4  
(DATA SUBJECT TO CHANGE WITHOUT NOTICE)

THIS DRAWING IS PROPERTY OF HUBBELL INC. WIEGMANN  
ALL INFORMATION IS PROPRIETARY AND NOT TO BE DUPLICATED