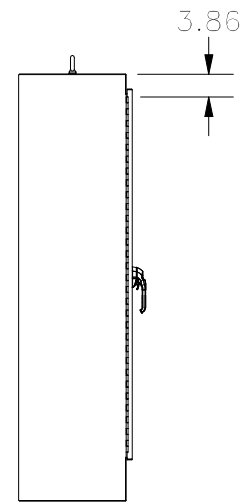
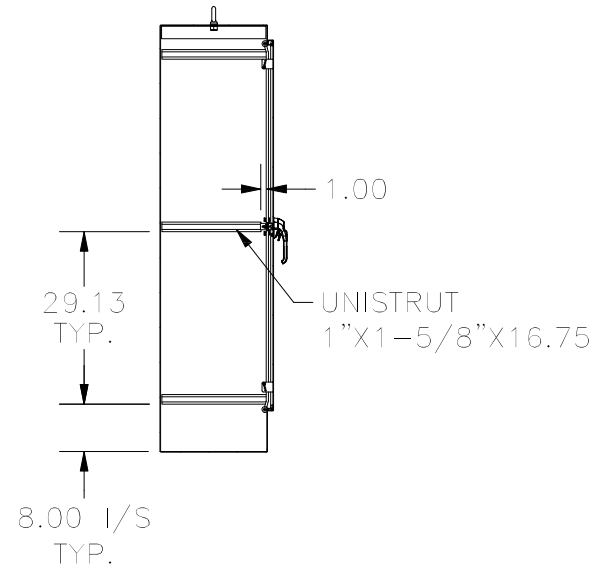


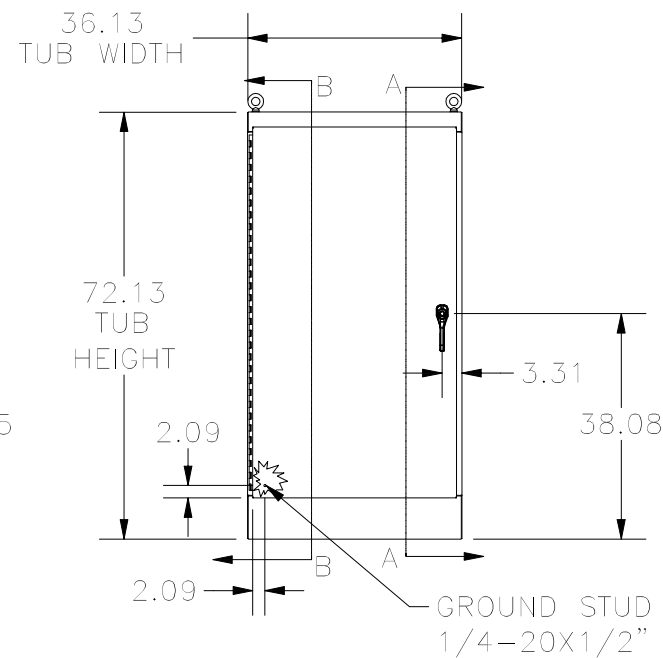
TOP VIEW



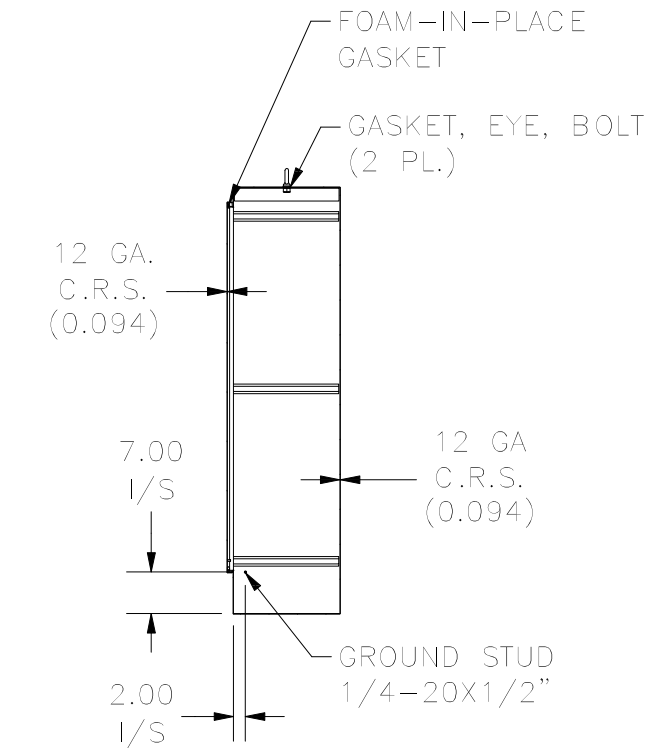
LEFT SIDE VIEW



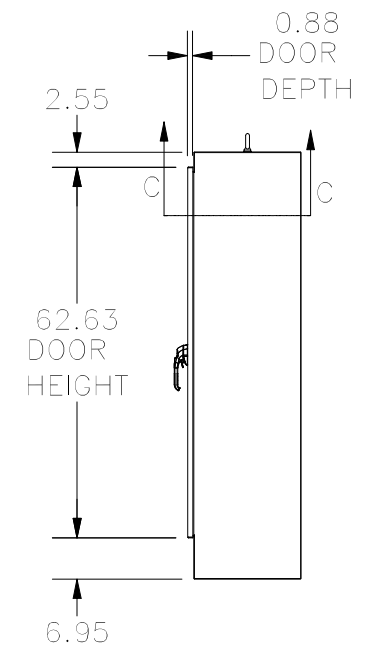
**SECTION A-A
(INSIDE RIGHT VIEW OF ENCLOSURE)**



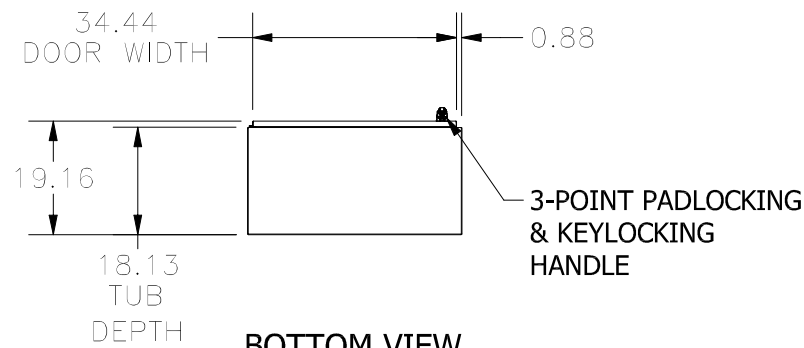
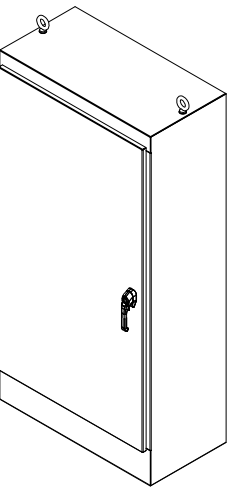
FRONT VIEW



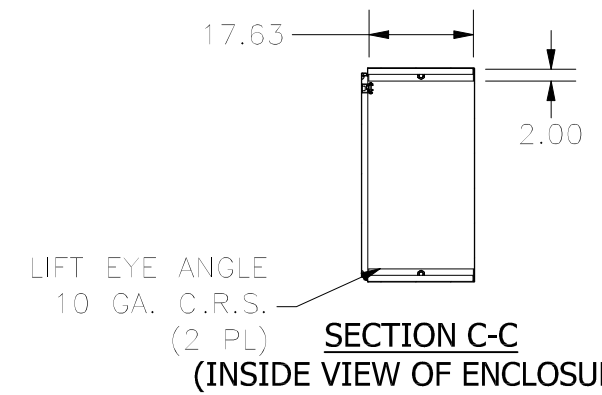
**SECTION B-B
(INSIDE LEFT VIEW OF ENCLOSURE)**



RIGHT SIDE VIEW



BOTTOM VIEW



PART#: WA723618FSN43PT
(DATA SUBJECT TO CHANGE WITHOUT NOTICE)