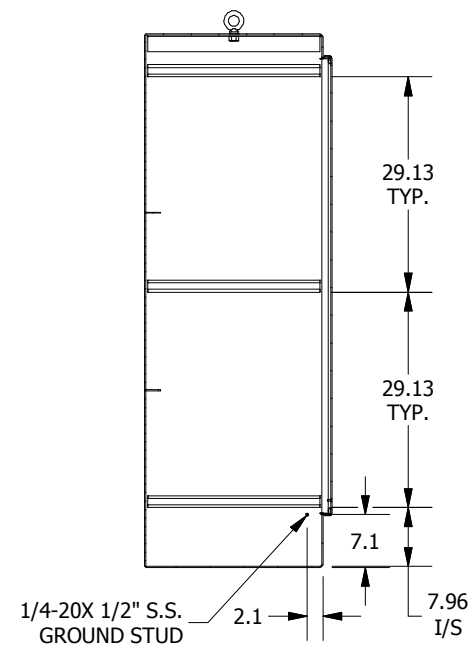
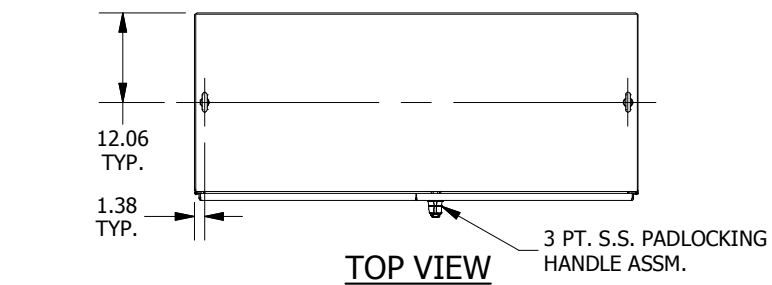


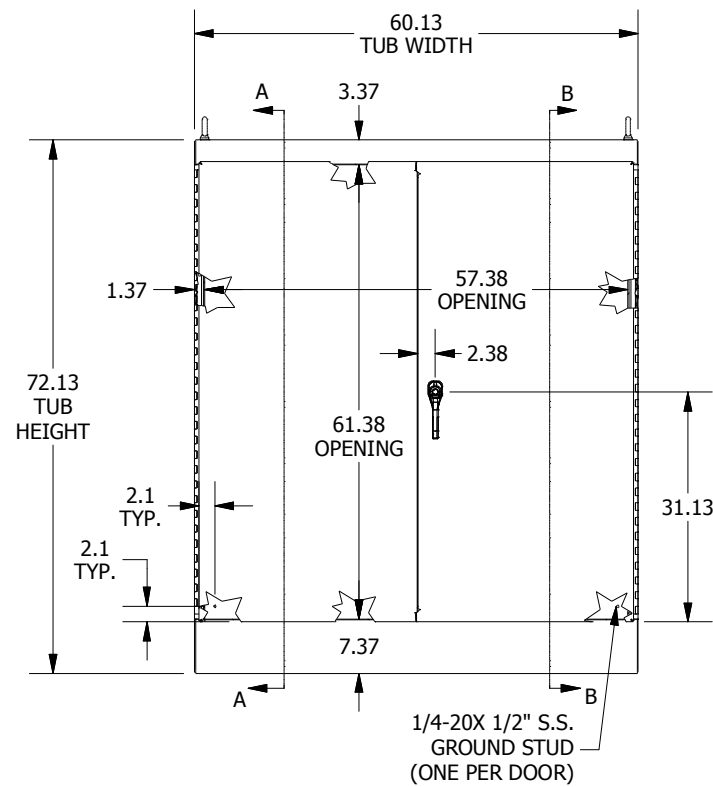
LEFT SIDE VIEW



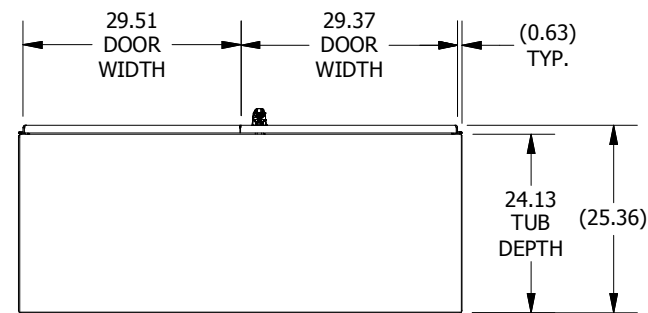
SECTION B-B
(INSIDE RIGHT OF ENCL.)



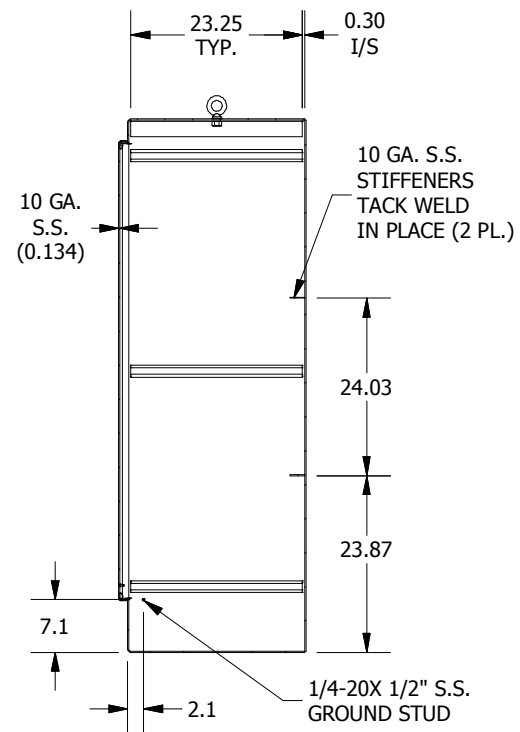
TOP VIEW



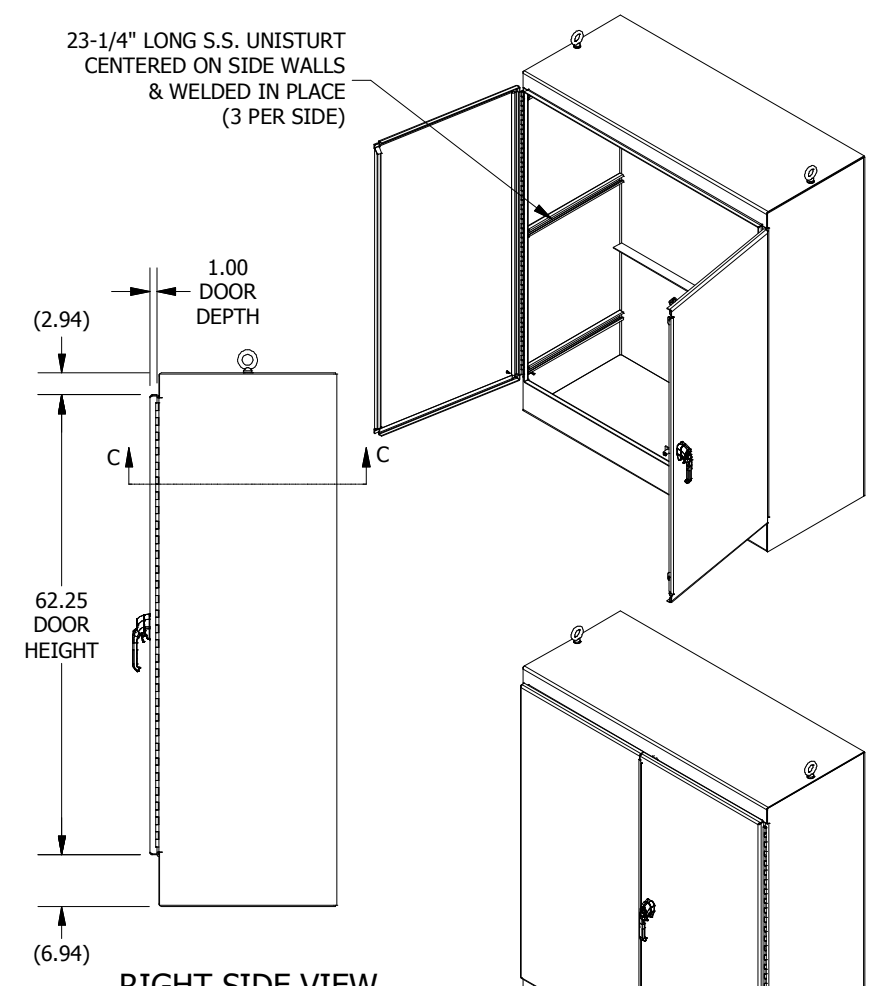
FRONT VIEW



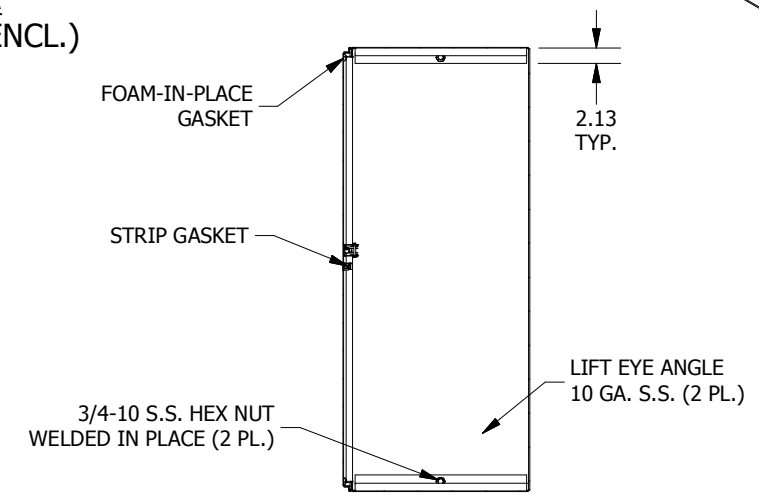
BOTTOM VIEW



SECTION A-A
(INSIDE LEFT OF ENCL.)



RIGHT SIDE VIEW



SECTION C-C

PART#: WA726024FSDSS
(DATA SUBJECT TO CHANGE WITHOUT NOTICE)

THIS DRAWING IS PROPERTY OF HUBBELL INC. WIEGMANN
ALL INFORMATION IS PROPRIETARY AND NOT TO BE DUPLICATED