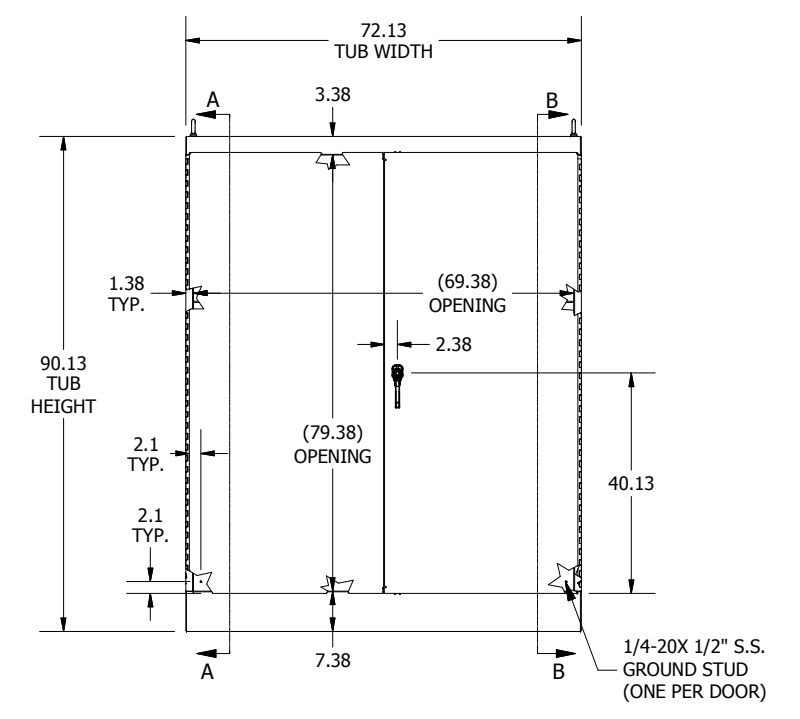
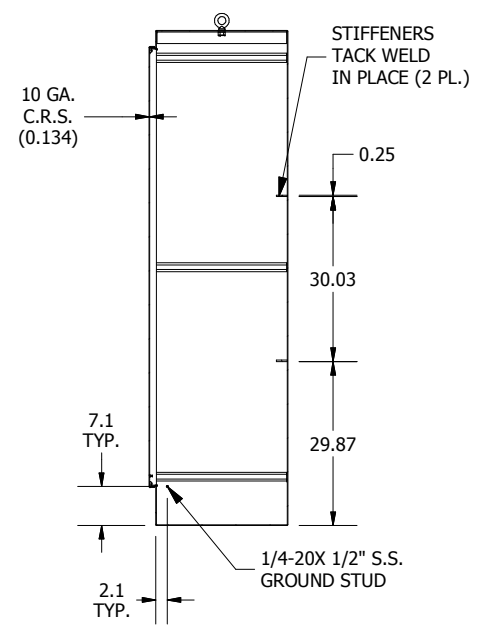


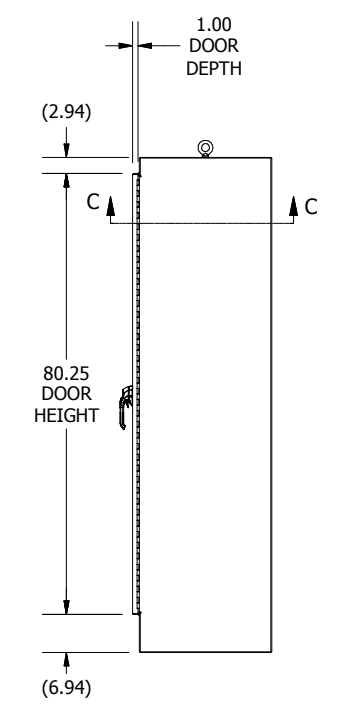
TOP VIEW



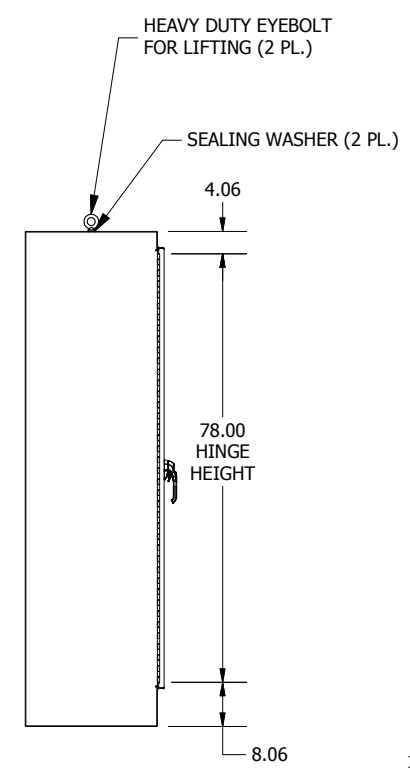
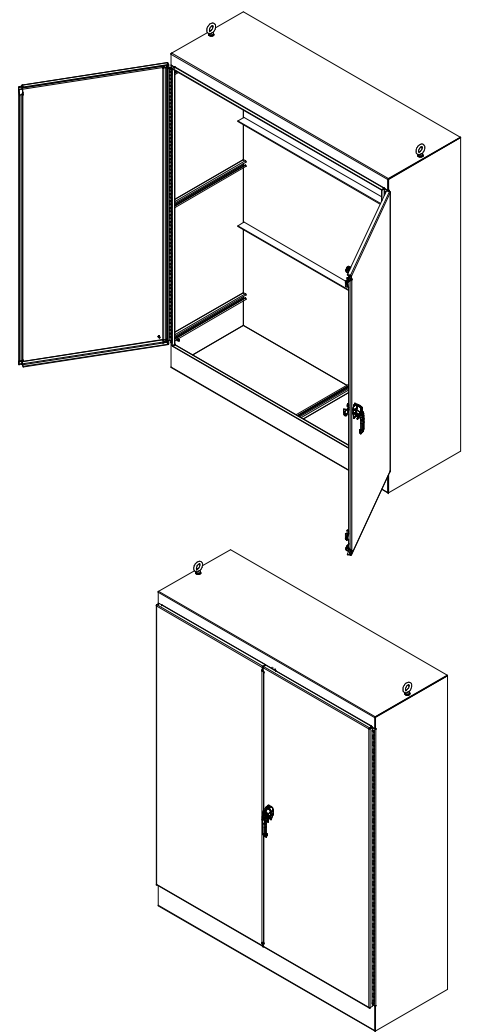
FRONT VIEW



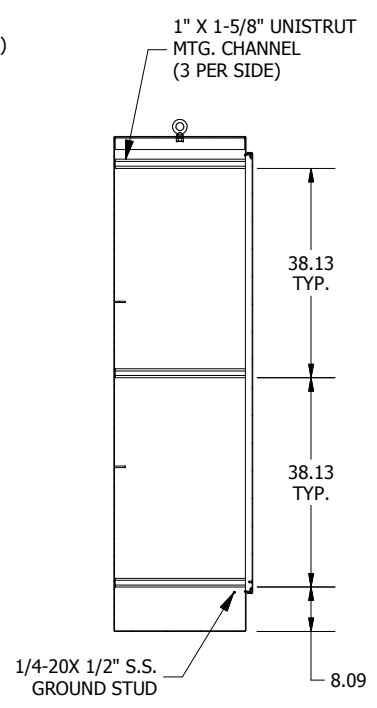
**SECTION A-A
(INSIDE LEFT OF ENCL.)**



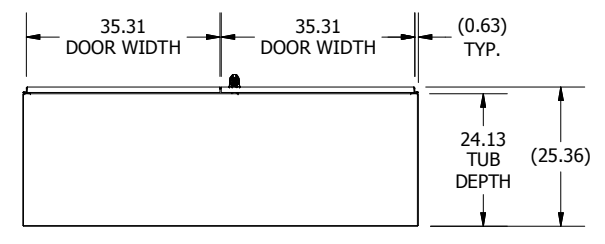
RIGHT SIDE VIEW



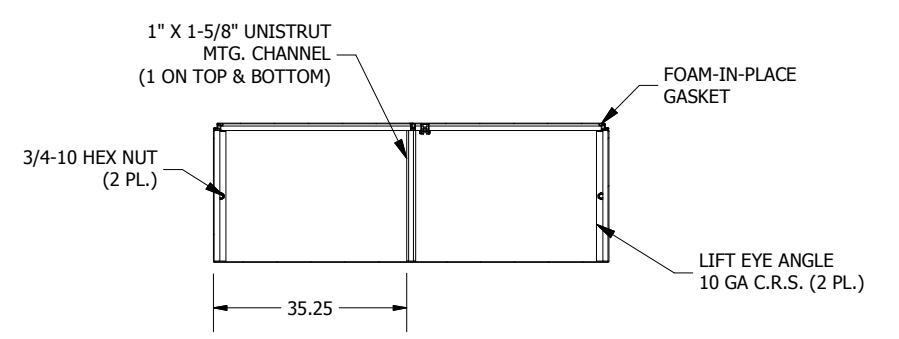
LEFT SIDE VIEW



**SECTION B-B
(INSIDE RIGHT OF ENCL.)**



BOTTOM VIEW



**SECTION C-C
(INSIDE TOP OF ENCL.)**

**PART#: WA907224FSD
(DATA SUBJECT TO CHANGE WITHOUT NOTICE)**