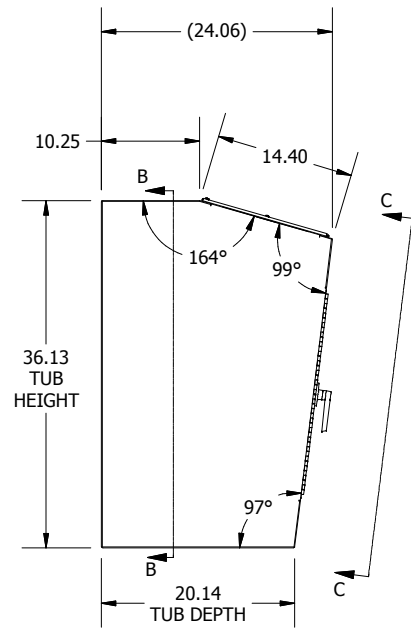
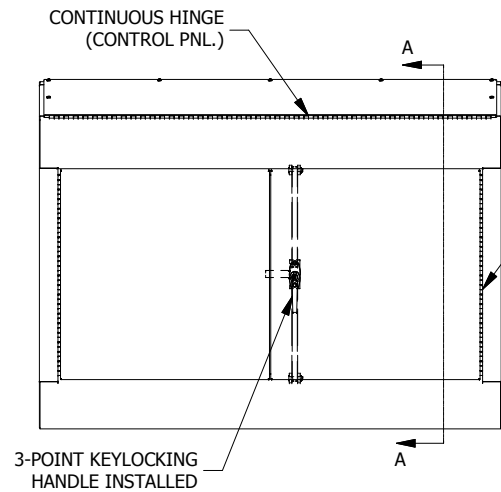


DETAIL A (7 PL.)
(CONTROL PNL. INSTALL DETAIL)



LEFT SIDE VIEW

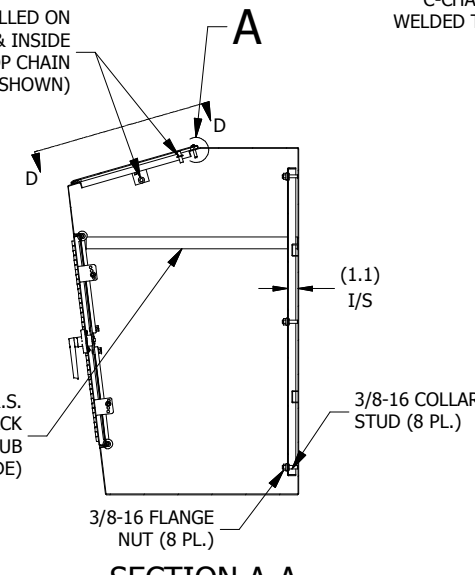


FRONT VIEW

3/8-16 COLLAR STUD INSTALLED ON INSIDE FACE OF CONTROL PNL. & INSIDE OF TUB FOR INSTALLING PNL. STOP CHAIN (2 PL.) (CHAIN INSTALLED, NOT SHOWN)

CONTINUOUS HINGE (LID) (2 PL.)

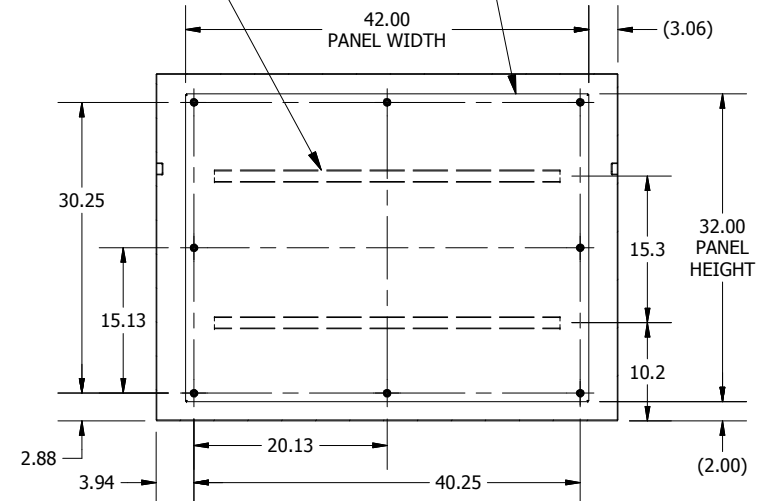
1-1/4" X 5/8" 14 GA. C.R.S. C-CHANNEL STIFFENERS TACK WELDED TO INSIDE SIDES TUB (1 PER SIDE)



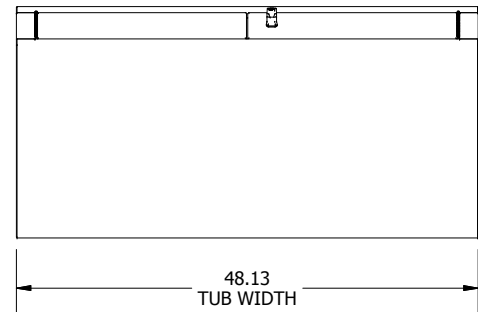
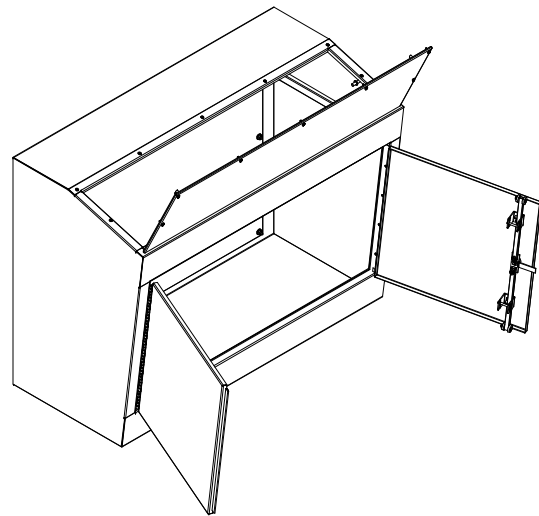
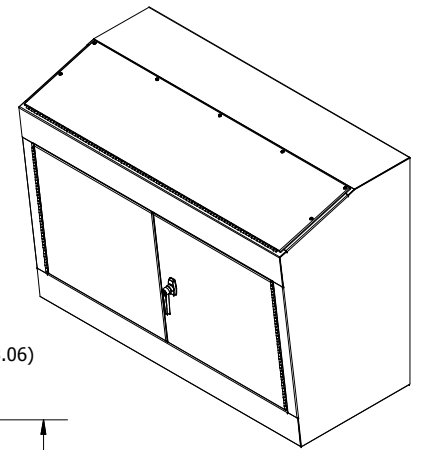
SECTION A-A
(INSIDE LEFT OF ENCL.)

1-1/4" X 5/8" 14 GA. C.R.S. C-CHANNEL STIFFENERS TACK WELDED TO INSIDE BACK OF TUB (2 PL.)

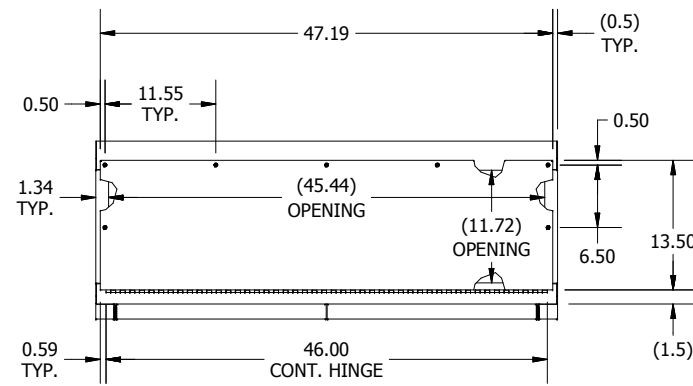
12 GA. C.R.S. SUB-PANEL INSTALLED



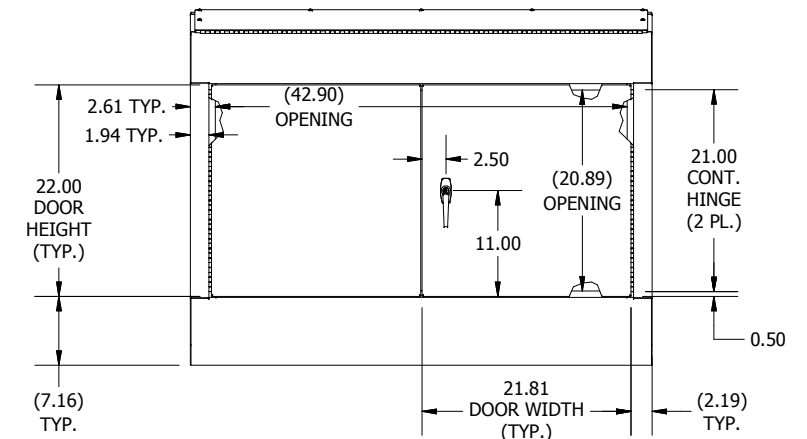
SECTION B-B
(INSIDE BACK OF ENCL.)



BOTTOM VIEW



VIEW D-D
(STRAIGHT ON VIEW OF CONTROL PANEL)



VIEW C-C
(STRAIGHT ON VIEW OF LID)

PART#: WC1248BD
(DATA SUBJECT TO CHANGE WITHOUT NOTICE)

THIS DRAWING IS PROPERTY OF HUBBELL INC. WIEGMANN ALL INFORMATION IS PROPRIETARY AND NOT TO BE DUPLICATED