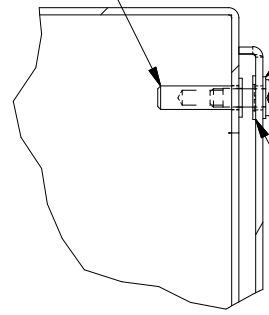


NUT, RIV, C. END,
10-32X.080-.130G
P/N#34984

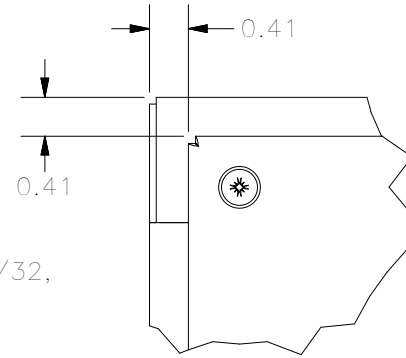
WASHER, RETAINING,
NYLON, .453 OD.
P/N#39077

SCREW, CAPTIVE, 10-32X19/32,
P/N# 372163

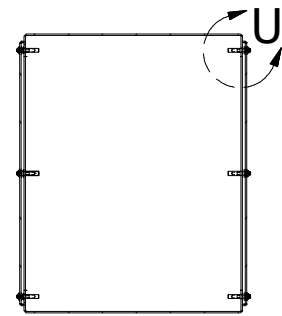
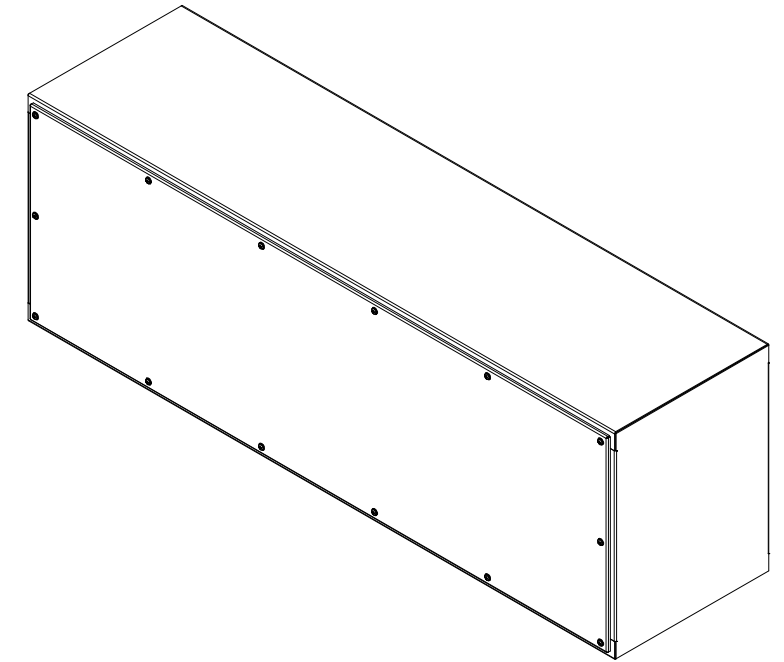
WASHER, RETAINING,
NYLON, .453 OD.
P/N#39077



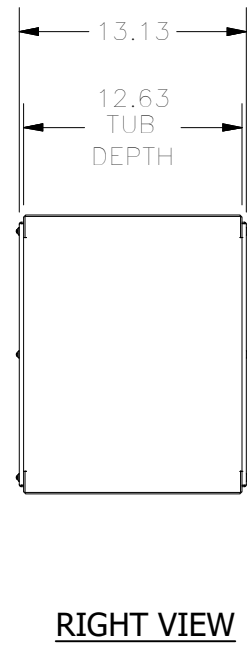
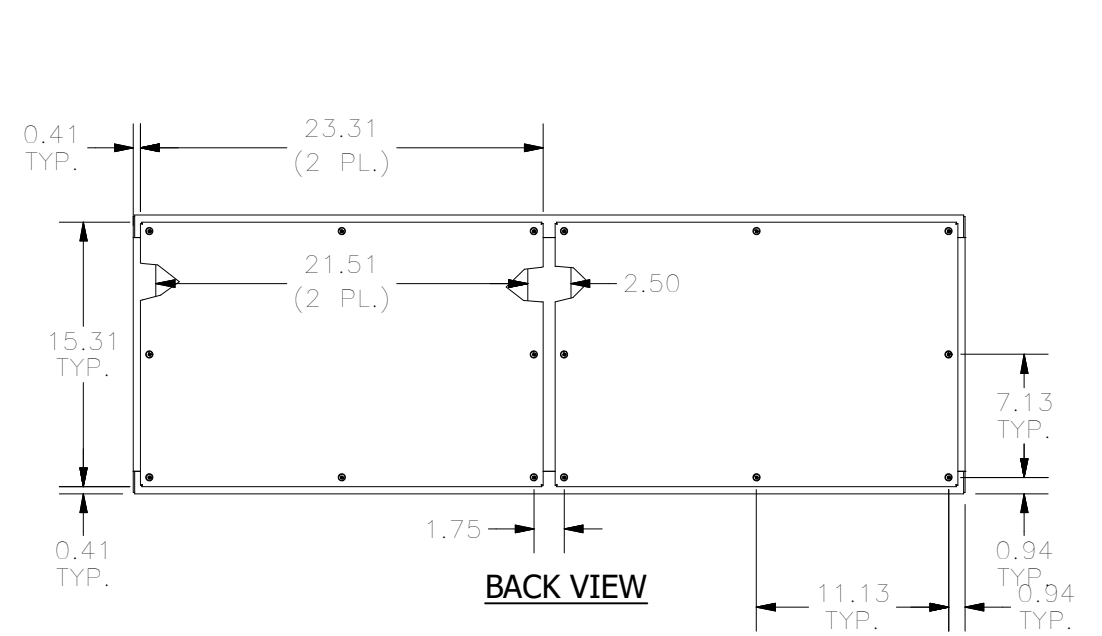
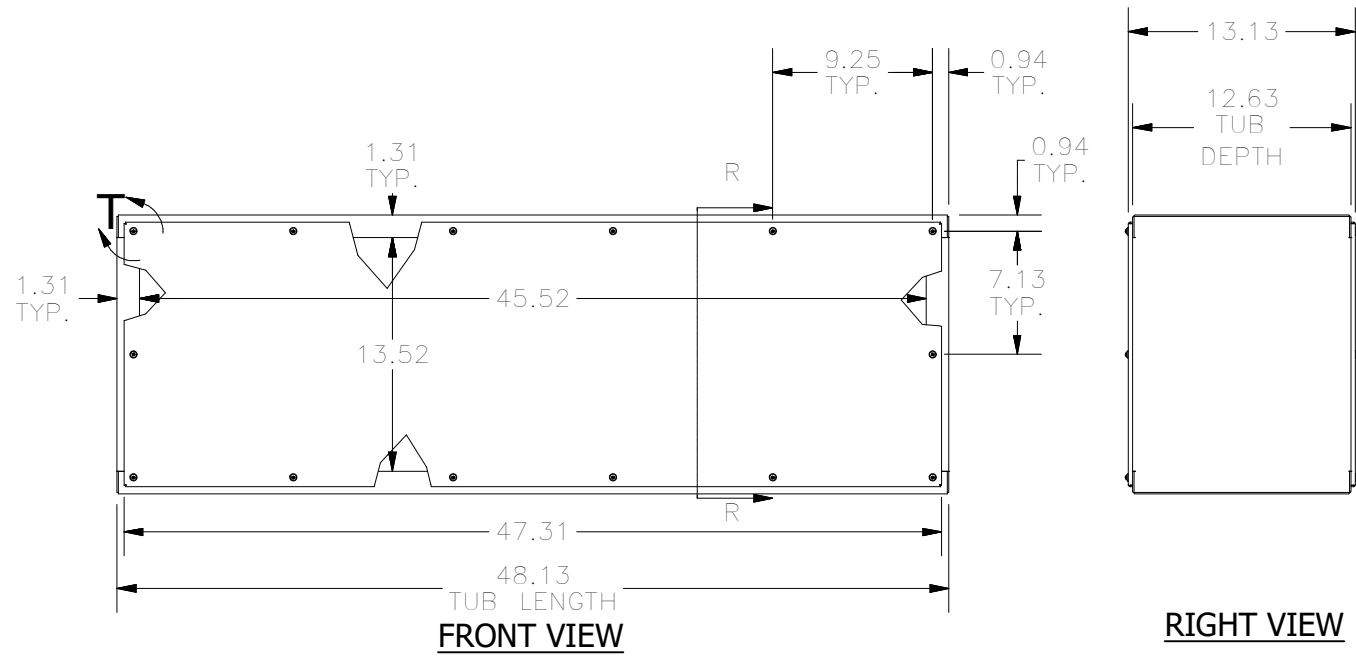
DETAIL U



DETAIL T



SECTION R-R



PART#: WC1448T
(DATA SUBJECT TO CHANGE WITHOUT NOTICE)

THIS DRAWING IS PROPERTY OF HUBBELL INC. WIEGMANN
ALL INFORMATION IS PROPRIETARY AND NOT TO BE DUPLICATED