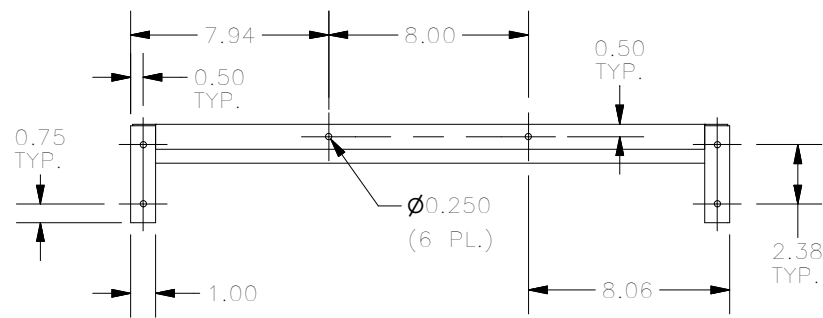
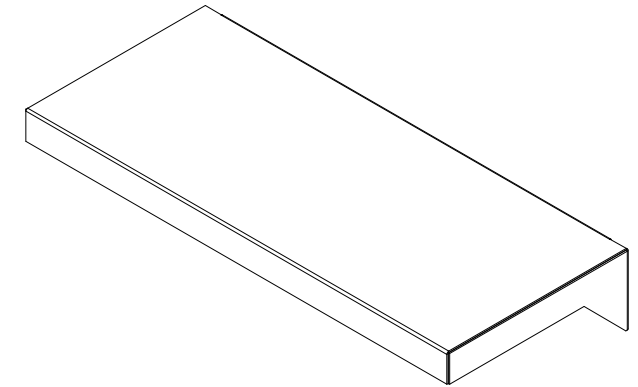
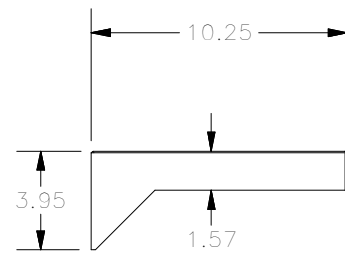




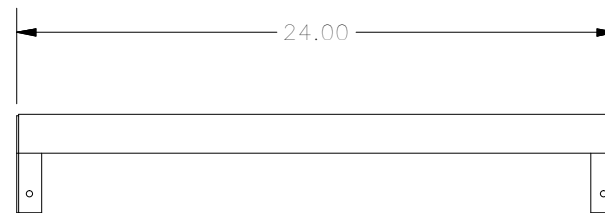
TOP VIEW



REAR VIEW



LEFT SIDE VIEW



FRONT VIEW



RIGHT SIDE VIEW

PART#: WC14W  
(DATA SUBJECT TO CHANGE WITHOUT NOTICE)

THIS DRAWING IS PROPERTY OF HUBBELL INC. WIEGMANN  
ALL INFORMATION IS PROPRIETARY AND NOT TO BE DUPLICATED