

Section I Index

W1C Series		WPBA Series	
NEMA 12 Consoles	I2	NEMA 12 Sloping Pushbutton	I16
WC9 Series		PB Series	
NEMA 12 Consoles	I4	NEMA 4 & 12 30.5mm Pushbutton.....	I18
WC10 Series		PBGX Series	
NEMA 12 Consoles	I6	NEMA 12 22.5mm Pushbutton.....	I20
WC12 Series		PBXD Series	
NEMA 12 Consoles	I8	NEMA 4 & 12 30.5mm Pushbutton.....	I22
WC14 Series		PSL Series	
NEMA 12 Consoles	I10	NEMA 12 30.5mm Pushbutton.....	I24
WC-C Series		PBYX Series	
NEMA 12 Consolelets	I12	NEMA 12 30.5mm Pushbutton.....	I26
CCOL & Base Series			
NEMA 12 Pedestals.....	I14		

OPERATOR INTERFACE



W1C SERIES CONSOLES NEMA 12 OPERATOR INTERFACE



W1C30


Industry Standards

UL 508A, Type 12 & 13

CSA Certified, Type 12

NEMA/EEMAC Type 12 & 13

 UL Files E64791

 CSA File LL66078

FEATURES-SPECIFICATIONS

Applications

Designed to house electrical and electronic controls, instruments and components. Heavy-duty construction provides protection from dirt, dust, oil and water. Sloping front control panel provides an ideal surface for mounting pushbuttons, pilot lights, meters and switches.

Construction

- Bodies and doors are fabricated from carbon steel
- Seams are continuously welded and ground smooth
- 3-point keylocking handle is provided
- Main door on console is raised

- Control panels are hinged along the bottom edge
- Control panels, access panels and instrument panels have captivated screws which thread into sealed wells
- Door stops provided to hold control panel open
- Grounding provisions are provided
- Closed cell neoprene gasket
- Removable back panel included with the enclosure

Finish

- ANSI 61 gray polyester powder inside and out
- Included back panel is painted with a white polyester powder

Accessories

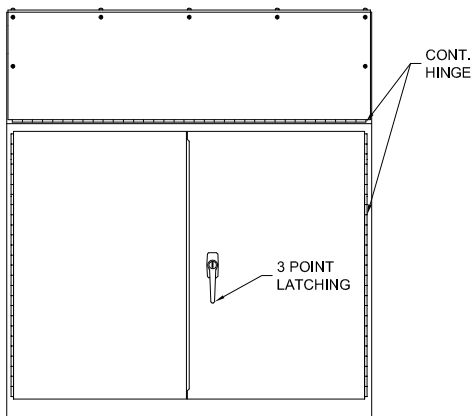
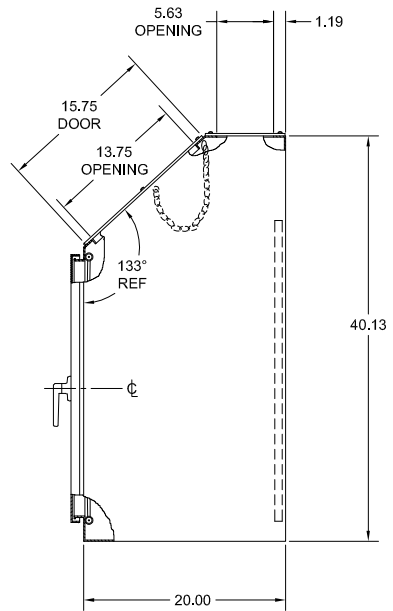
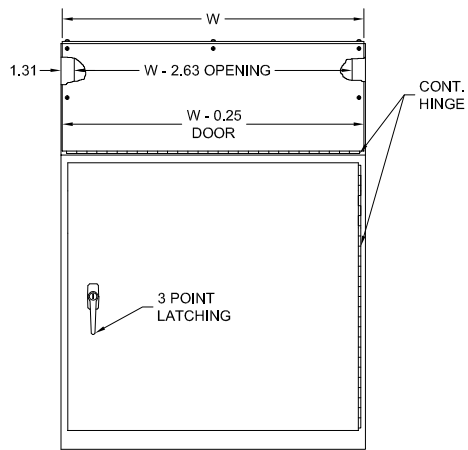
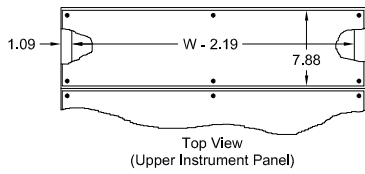
- See pages L1-L24

W1C SERIES OPERATOR INTERFACE CONSOLES

Catalog Number	Enclosure Size HxWxD	Back Panel Size HxW*
W1C24	40.00x24.00x20.00 (1016x610x508)	30.00x21.00 (762x533)
W1C30	40.00x30.00x20.00 (1016x762x508)	30.00x27.00 (762x686)
W1C36	40.00x36.00x20.00 (1016x914x508)	30.00x33.00 (762x838)
W1C42**	40.00x42.00x20.00 (1016x1067x508)	30.00x39.00 (762x991)
W1C48**	40.00x48.00x20.00 (1016x1219x508)	30.00x45.00 (762x1143)

* Back panels are included with console

** Two Door Units



View Showing
Two Door Console

WC9 SERIES CONSOLES NEMA 12 OPERATOR INTERFACE



WC924B

Industry Standards

UL 508A, Type 12
CSA Certified, Type 12
NEMA/EEMAC Type 12

 UL Files E64791

 CSA File LL66078

FEATURES-SPECIFICATIONS

Applications

Designed to house electrical and electronic controls, instruments and components. Heavy-duty construction provides protection from dirt, dust, oil and water. Sloping front control panel provides an ideal surface for mounting pushbuttons, pilot lights, meters and switches.

Construction

- Bodies and doors are fabricated from carbon steel
- 3-point keylocking handle is provided

- Seams are continuously welded and ground smooth
- Control panel is attached with a continuous hinge along the bottom edge and secured with captive screws, threaded into sealed wells
- Door stops are provided to hold control panel open
- Collar studs for mounting one, two or three optional panels are provided
- Closed cell neoprene gasket
- Grounding provisions are provided

Finish

- ANSI 61 gray polyester powder inside and out
- **Optional** side and back panels are painted with a white polyester powder

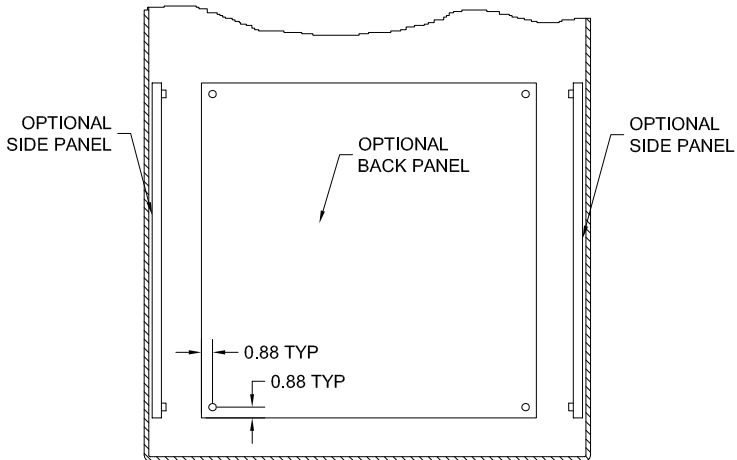
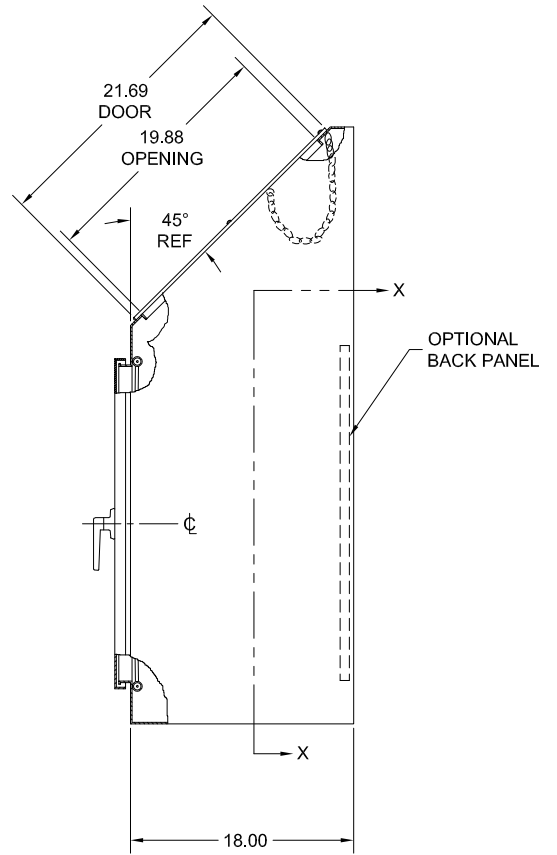
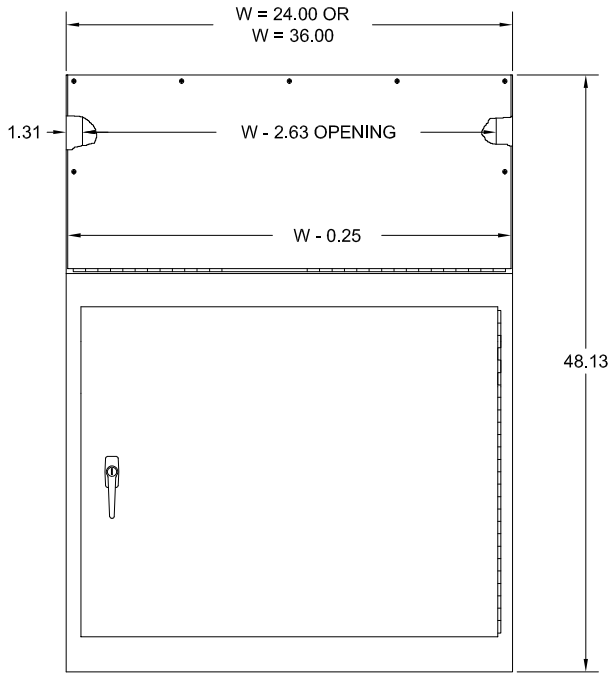
Accessories

- Side panels, back panels and caster kits (reference table)
- See pages L1-L24

WC9 SERIES OPERATOR INTERFACE CONSOLES

Catalog Number	Description/Size	Back Panel Catalog Number*	Back Panel Size HxW	Side Panel Catalog Number*	Side Panel Size HxW*	Caster Kit Catalog Number*
WC924B	Console body only 24" wide	NP3020	27.00x17.00 (686x432)	NP3020	27.00x17.00 (686x432)	WC10C
WC936B	Console body only 36" wide	NP3030	27.00x27.00 (686x686)	NP3020	27.00x17.00 (686x432)	WC10C

*Panels and Caster Kits must be ordered separately.



VIEW X-X

WC10 SERIES CONSOLES NEMA 12 OPERATOR INTERFACE



WC10B

Industry Standards

UL 508A, Type 12 & 13

CSA Certified, Type 12

NEMA/EEMAC Type 12 & 13

 UL Files E64791

 CSA File LL66078

FEATURES-SPECIFICATIONS

Applications

Designed to house electrical and electronic controls, instruments and components. Heavy-duty construction provides protection from dirt, dust, oil and water. Sloping front control panel provides an ideal surface for mounting pushbuttons, pilot lights, meters and switches.

Construction

- Bodies and doors are fabricated from carbon steel
- Seams are continuously welded and ground smooth
- 3-point keylocking handle is provided
- Flush main door
- Control panels are hinged along the bottom edge

- Controls panels have captivated screws which thread into sealed wells
- Door stops are provided to hold control panel open
- Closed cell neoprene gasket
- Removable back panel is included with the enclosure
- Grounding provisions are provided

Top

- Fabricated from carbon steel
- Seams are continuously welded and ground smooth
- Instrument and access panels have captivated screws which thread into sealed wells
- Closed cell neoprene gasket

Writing Desk

- Fabricated from carbon steel
- Seams are continuously welded and ground smooth
- Desks are removable and attach easily to the front of the console

Finish

- ANSI 61 gray polyester powder inside and out
- Included back panel is painted with a white polyester powder

Accessories

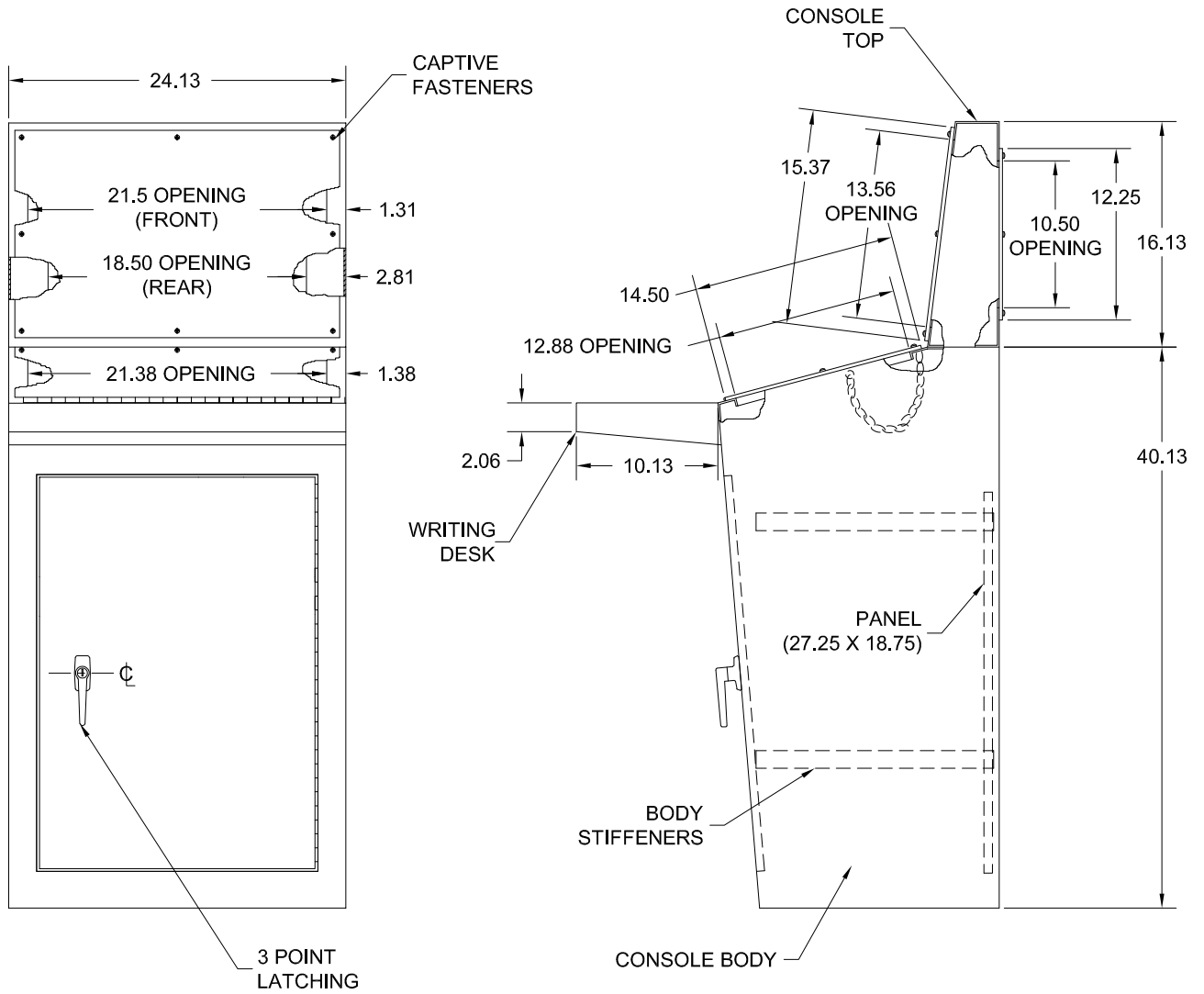
- See pages L1-L24

WC10 SERIES OPERATOR INTERFACE CONSOLES

Catalog Number	Description/Size
WC10B	Console body only / 24.00" wide
WC10T	Top for WC10B
WC10W	Writing desk for WC10B
WC10C	Caster kit

*U.L. Listed. Back panels are included with console.

NOTE: Tops, writing desks, and caster kits must be ordered separately.



WC12 SERIES CONSOLES NEMA 12 OPERATOR INTERFACE



WC1248BD

Industry Standards

UL 508A, Type 12 & 13

CSA Certified, Type 12 & 13

NEMA/EEMAC Type 12 & 13

 UL Files E64791

 CSA File LL66078

FEATURES-SPECIFICATIONS

Applications

Designed to house electrical and electronic controls, instruments and components. Heavy-duty construction provides protection from dirt, dust, oil and water. Sloping front control panel provides an ideal surface for mounting pushbuttons, pilot lights, meters and switches.

Construction

- Bodies and doors are fabricated from carbon steel
- Seams are continuously welded and ground smooth
- 3-point keylocking handle is provided
- Double overlapping doors are provided on two door consoles
- Main hinged doors are flush
- Large sloping control panels are hinged along the bottom edge
- Control panels have captivated screws which thread into sealed wells

- Grounding provisions are provided
- Door stops are provided to hold control panel open
- Closed cell neoprene gasket
- Removable back panel is included with console
- Studs are welded to the inside of the console for mounting back panel
- An inclined body rail is welded to each side of 24.00" wide and 36.00" wide consoles for support of terminal straps

Top

- Fabricated from carbon steel
- Tops have a sloped front surface
- Seams are continuously welded and ground smooth
- Instrument and access panels have captivated screws which thread into sealed wells
- Closed cell neoprene gasket

- Instrument panels and access panels are removable

Writing Desk

- Fabricated from carbon steel
- Seams are continuously welded and ground smooth
- Desks are removable and attach easily to the front of the console

Finish

- ANSI 61 gray polyester powder inside and out
- Included back panel is painted with a white polyester powder

Accessories

- See pages L1-L24

WC12 SERIES OPERATOR INTERFACE CONSOLES

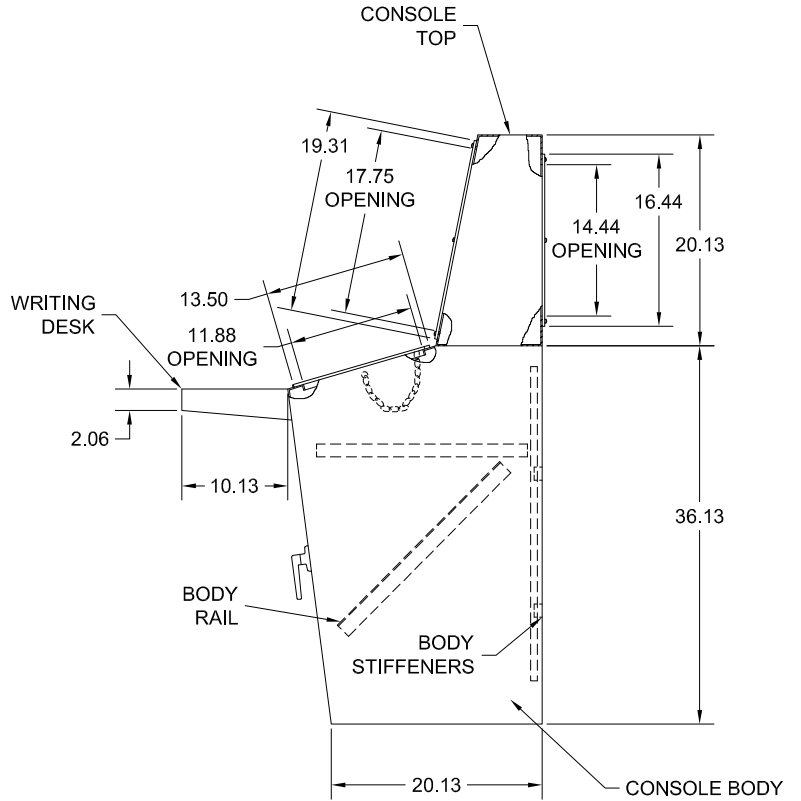
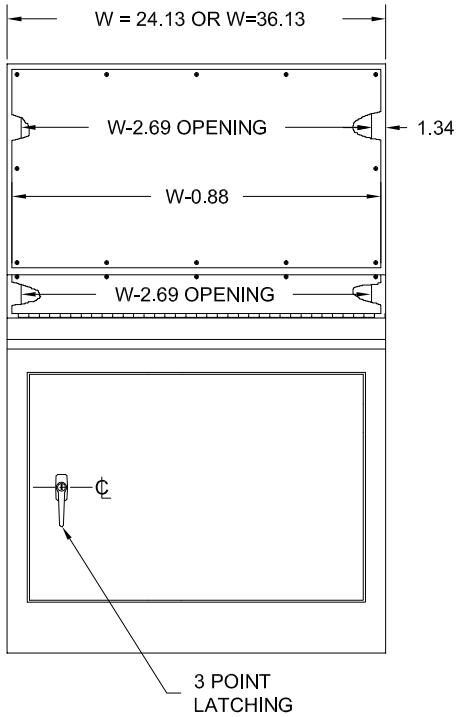
Catalog Number	Console Width	Catalog Number			Back Panel Size HxW*
		Console Top	Writing Desk	Casket Kit	
WC1224B*	24" (610)	WC1224T	WC1224W	WC12C	32"x18" (813x457)
WC12B*	36" (914)	WC12T	WC12W	WC12C	32"x30" (813x762)
WC1248BD**	48" (1219)	WC1248T	WC1248W	WC12C	32"x42" (813x1067)

*U.L. Listed. Back panels are included with console.

** UL Listed Type 12 only. Back panels are included with console.

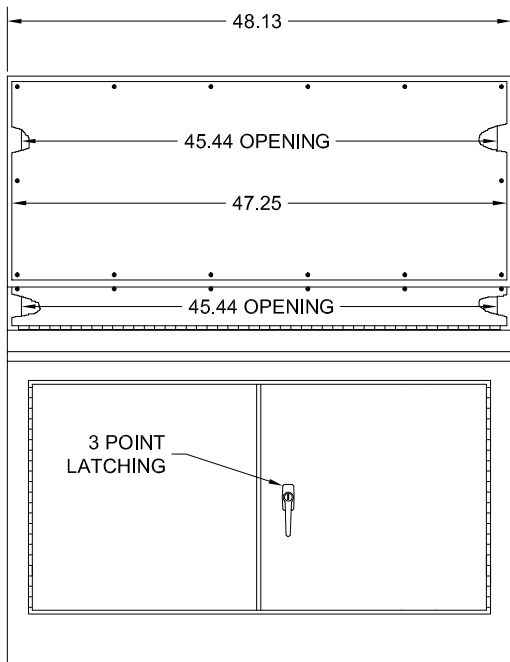
NOTE: Tops, writing desks, and caster kits must be ordered separately.

WC1224B & WC12B



**RIGHT VIEW
(APPLICABLE TO ALL)**

WC1248BD



WC14 SERIES CONSOLES NEMA 12 OPERATOR INTERFACE



WC14B

Industry Standards

UL 508A, Type 12
CSA Certified, Type 12
NEMA/EEMAC Type 12

 UL Files E64791

 CSA File LL66078

FEATURES-SPECIFICATIONS

Applications

Designed to house electrical and electronic controls, instruments and components. Heavy-duty construction provides protection from dirt, dust, oil and water. Sloping front control panel provides an ideal surface for mounting pushbuttons, pilot lights, meters and switches.

Body

- Bodies and doors are fabricated from carbon steel
- Seams are continuously welded and ground smooth
- 3-point keylocking handle is provided
- Double overlapping doors are provided on two door consoles
- Main hinged doors are flush
- Grounding provisions are provided
- One or two large sloping control panels are hinged on bottom
- Control panels have captivated screws which thread into sealed wells

- Door stops are provided to hold control panel open
- Closed cell neoprene gasket
- Horizontal channels are welded to the sides of the console to support **optional** panels, swing-out panels and rack mounting angles
- **Optional** half, full, and swing panels are available

Top

- Fabricated from carbon steel
- Top unit is 12.50" deep to accommodate most instruments
- Seams are continuously welded and ground smooth
- Instrument and access panels have captivated screws which thread into sealed wells
- Instrument and access panels are removable
- Closed cell neoprene gasket

Writing Desk

- Fabricated from carbon steel

- Seams are continuously welded and ground smooth
- Desks are removable and attach easily to the front of the console

Finish

- ANSI 61 gray polyester powder inside and out
- **Optional** panels are painted with a white polyester powder

Accessories

- See pages L1-L24

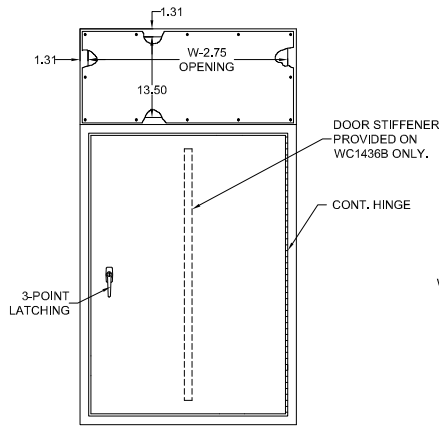
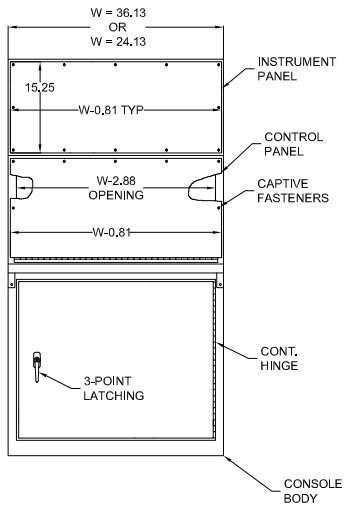
WC14 SERIES OPERATOR INTERFACE CONSOLES

Catalog Number Console only	Console Width	Console Top	Catalog Number		Panel Size HxW	Caster Kit	Catalog Number	
			Writing Desk	Various Panel*			Clamping Nuts	Rack Angles
WC14B (Single door)	24.00" (610)	WC14T	WC14W	WC14P1 (Swing panel)	22.00x18.13 (559x461)	WC12C	WAPS1420CN	WC14R
—	—	—	—	WC14P2 (Half panel)	22.00x17.00 (559x432)	—	—	—
—	—	—	—	WC14P3 (Full panel)	42.25x17.00 (1073x432)	—	WAPS3816CN	—
WC1436B (Single door)	36.00" (914)	WC1436T	WC1436W	WC1436P1 (Swing panel)	22.00x30.13 (559x765)	WC12C	WAPS1420CN	—
—	—	—	—	WC1436P2 (Half panel)	22.00x29.00 (559x737)	—	—	—
—	—	—	—	WC1436P3 (Full panel)	42.25x29.00 (1073x737)	—	WAPS3816CN	—
WC1448BD (Double door)	48.00" (1219)	WC1448T	WC1448W	WC1448P2 (Half panel)	22.00x41.00 (559x1041)	WC12C	WAPS1420CN	—
—	—	—	—	WC1448P3 (Full panel)	42.25x41.00 (1073x1041)	—	WAPS3816CN	—
WC1460BD (Double door)	60.00" (1524)	WC1460T	WC1460W	WC1460P2 (Half panel)	22.00x53.00 (559x1346)	WC12C	WAPS1420CN	—
—	—	—	—	WC1460P3 (Full panel)	42.25x53.00 (1073x1346)	—	WAPS3816CN	—

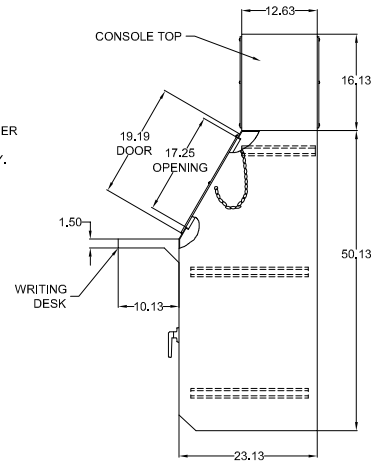
*Full, Half, and Swing panels must be ordered separately.

NOTE: Tops, writing desks, and caster kits must be ordered separately.

**WC14B AND
WC1436B**

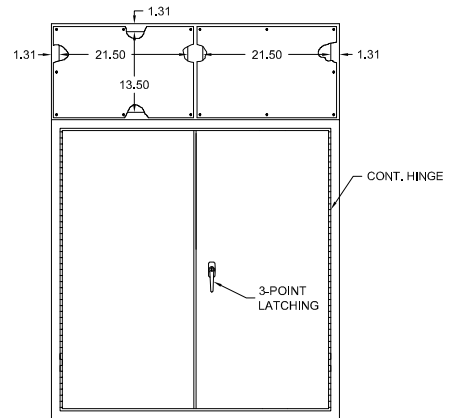
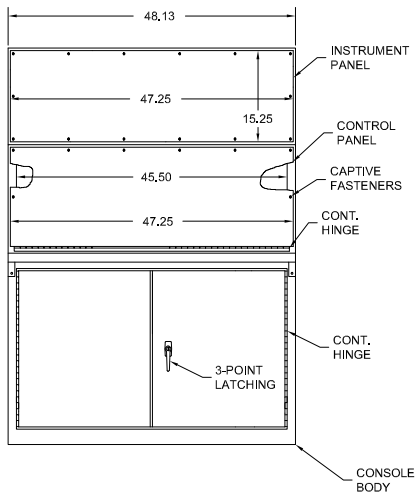


REAR VIEW



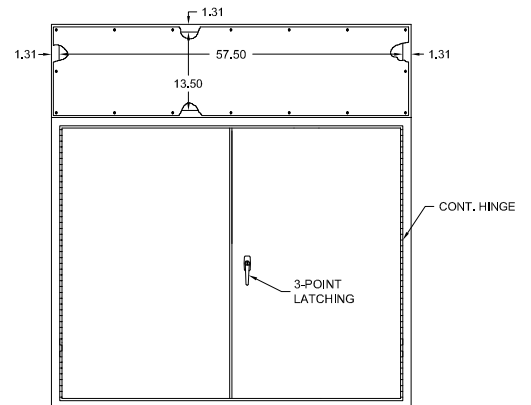
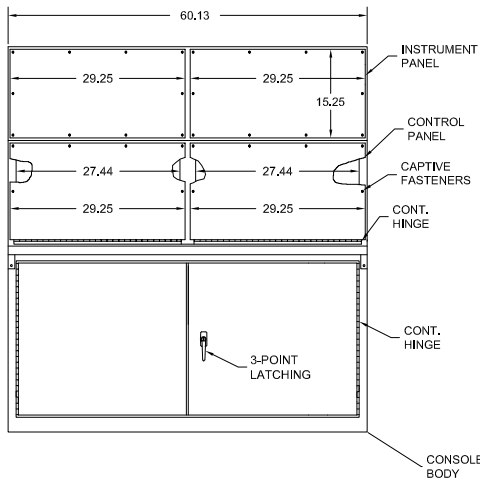
**RIGHT SIDE VIEW
(APPLICABLE TO ALL SIZES)**

WC1448BD



REAR VIEW

WC1460BD



REAR VIEW

WC-C SERIES CONSOLETS NEMA 12 OPERATOR INTERFACE



WC12C12

Industry Standards

UL 508A, Type 12 & 13
CSA Certified, Type 12
NEMA/EEMAC Type 12 & 13

 UL Files E64791

 CSA File LL66078

FEATURES-SPECIFICATIONS

Applications

Designed to house a variety of electronic control or instrumentation devices. Consolets provide protection from dust, dirt, oil, and water. Flexible design allows for mounting on either of two sides, creating control surfaces of 30 degrees or 60 degrees. Consolets can be mounted on desktops, pedestals, or other flat surfaces.

Construction

- Bodies and doors are fabricated from carbon steel
- Seams are continuously welded and ground smooth
- Captivated cover screws thread into sealed wells
- Control panel is continuously hinged along the bottom edge

- Closed cell oil resistant neoprene gasket
- Grounding provisions are provided

Finish

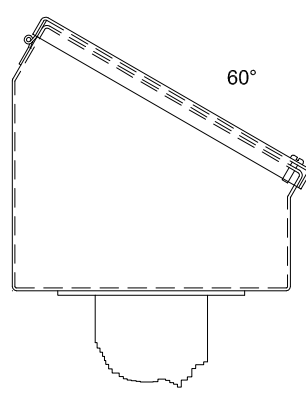
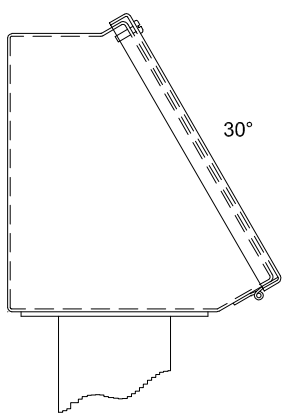
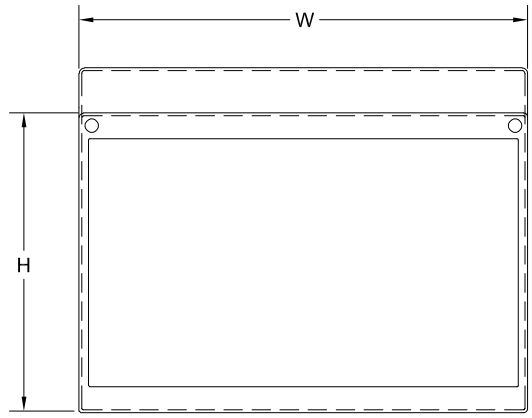
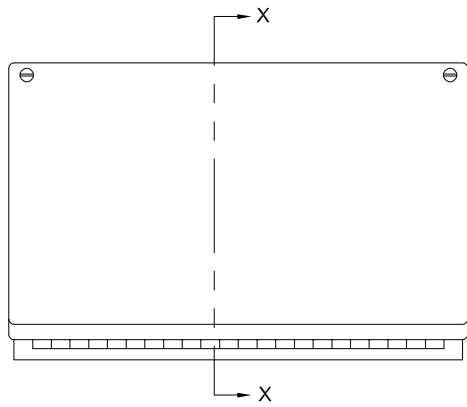
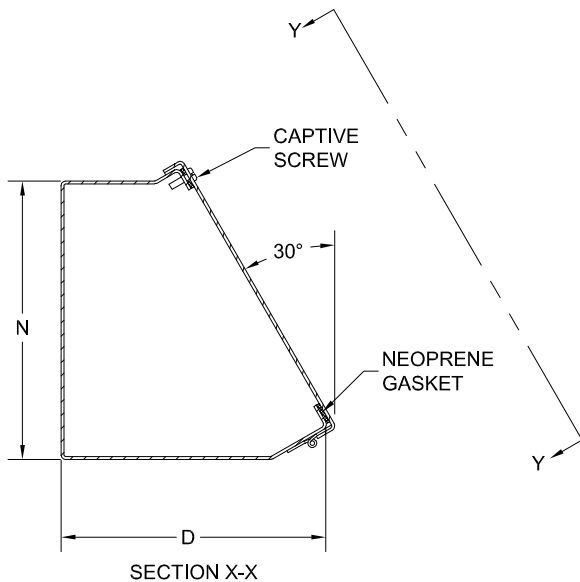
- ANSI-61 gray polyester powder inside and out over phosphatized surfaces

Accessories

See pages L1-L24

WC-C SERIES OPERATOR INTERFACE CONSOLETS

Catalog Number	Enclosure Size HxWxD	N
WC08C08	8.00x8.00x7.09 (203x203x180)	7.44 (189)
WC08C12	8.00x12.00x7.09 (203x305x180)	7.44 (189)
WC08C16	8.00x16.00x7.09 (203x406x180)	7.44 (189)
WC08C20	8.00x20.00x7.09 (203x508x180)	7.44 (189)
WC12C12	12.00x12.00x9.09 (305x305x231)	10.91 (277)
WC12C16	12.00x16.00x9.09 (305x406x231)	10.91 (277)
WC12C20	12.00x20.00x9.09 (305x508x231)	10.91 (277)
WC12C24	12.00x24.00x9.09 (305x610x231)	10.91 (277)
WC16C16	16.00x16.00x11.09 (406x406x282)	14.38 (365)
WC16C20	16.00x20.00x11.09 (406x508x282)	14.38 (365)
WC16C24	16.00x24.00x11.09 (406x610x282)	14.38 (365)
WC16C30	16.00x30.00x11.09 (406x762x282)	14.38 (365)
WC16C36	16.00x36.00x11.09 (406x914x282)	14.38 (365)
WC20C20	20.00x20.00x13.09 (508x508x333)	17.84 (453)
WC20C24	20.00x24.00x13.09 (508x610x333)	17.84 (453)
WC20C30	20.00x30.00x13.09 (508x762x333)	17.84 (453)



Consolet can be positioned at 30° or 60° angle.

CCOL & BASE SERIES PEDESTALS NEMA 12 OPERATOR INTERFACE



WA44CCOL
WITH OPTIONAL BASE SHOWN



WA44BPCOL
WITH OPTIONAL BASE SHOWN

FEATURES-SPECIFICATIONS

Applications

Designed to permit floor mounting of many types of enclosures and boxes. Four column and two base sizes are available. Columns can be mounted on either base. Wiring connections can be made through the base, through the vertical column, or directly to the enclosure. Columns have flanges at each end and a gasketed access plate. Screws, oil-resistant gaskets, and box connector fittings are furnished with each column for joining an enclosure to the top of the column. A cutout must be made in the enclosure if the wires are to come through the column.

Column

- Columns are fabricated from carbon steel or 304 stainless steel
- Gasket, screws and box connector fittings are furnished for mounting console
- Columns feature gasketed access plate

Base

- Fabricated from carbon steel or 304L stainless steel
- Bases have reinforced, leveling screws and holes for securing to the floor

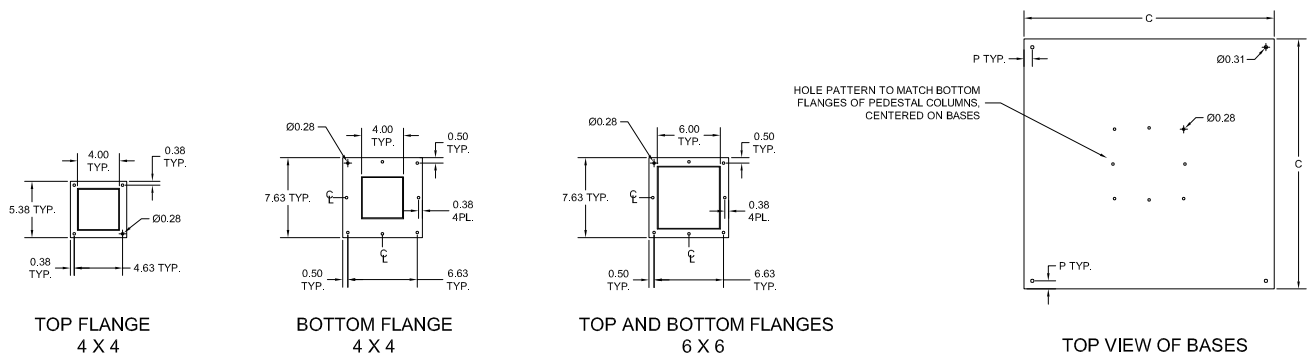
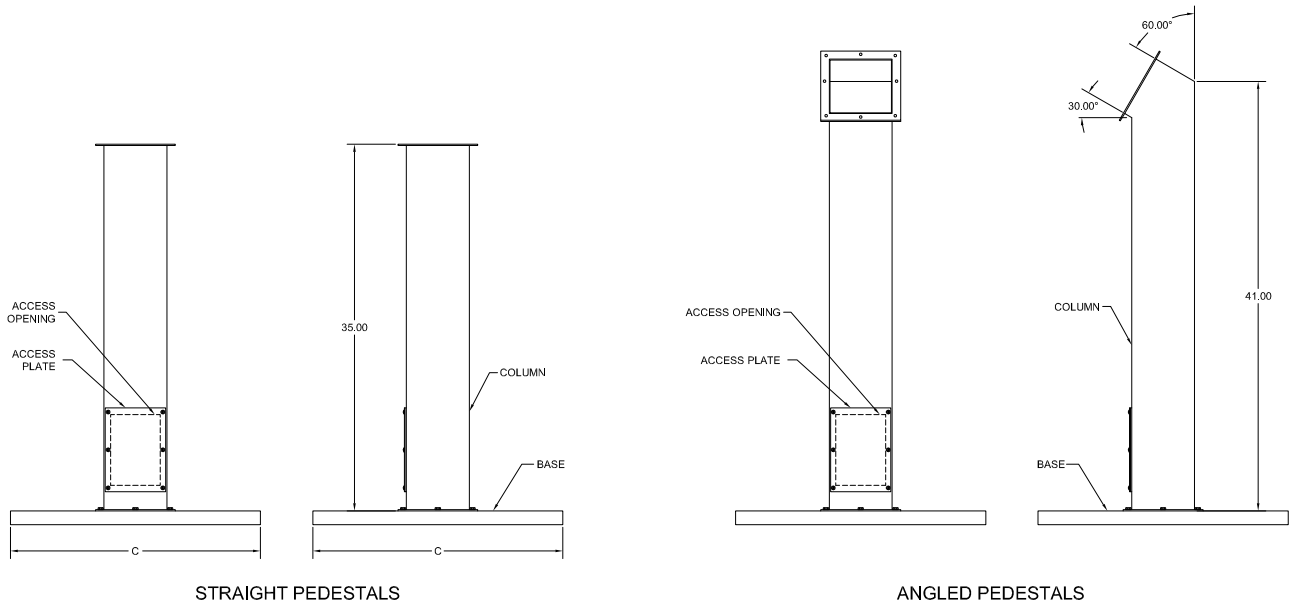
Finish

- ANSI-61 gray polyester powder inside and out
- Stainless steel option has a smooth grained finish

OPERATOR INTERFACE PEDESTALS AND BASES

Catalog Number		Size	Description	C	P
Gray	Stainless Steel				
WA44CCOL	WA44CCOLSS	4.00x4.00 (102x102)	Straight pedestal column	—	—
WA66CCOL	WA66CCOLSS	6.00x6.00 (152x152)	Straight pedestal column	—	—
WA44PBCOL	WA44PBCOLSS	4.00x4.00 (102x102)	Angled pedestal column	—	—
WA66PBCOL	WA66PBCOLSS	6.00x6.00 (152x152)	Angled pedestal column	—	—
WA18SBASE	WA18SBASESS	18.00x18.00 (457x457)	Pedestal base	18.06 (459)	0.47 (12)
WA24SBASE	WA24SBASESS	24.00x24.00 (610x610)	Pedestal base	23.88 (606)	0.78 (20)

NOTE: The user would normally remove the mounting feet from the enclosure if the enclosure is mounted on a pedestal. Hubbell Wiegmann can supply enclosures without mounting feet/plates and with cutouts as a special. Consult factory for information.



WPBA SERIES 30.5 MM SLOPING PUSHBUTTON ENCLOSURES NEMA 12 OPERATOR INTERFACE



WPBA10

Industry Standards

UL 508A, Type 12 & 13

CSA Certified, Type 12

NEMA/EEMAC Type 12 & 13

 UL Files E64791

 CSA File LL66078

FEATURES-SPECIFICATIONS

Applications

Designed for use where slanted control surfaces are required. Enclosures may be mounted in a variety of ways to meet specific requirements. Receives all standard brands of oil-tight pushbuttons, switches and pilot lights. Provides protection from dirt, dust, oil and water.

Construction

- Bodies and covers are fabricated from carbon steel

- Closed cell oil resistant neoprene gasket
- Seams are continuously welded and ground smooth
- External mounting plate at the top and bottom of the enclosure
- Captivated cover screws thread into sealed wells
- Standard "4-way" pushbutton holes accept all brands of oil-tight pushbuttons, switches and pilot lights
- Enclosures 7.25" x 6.25" x 6.75" and larger have internal detachable hinges to hold cover open during wiring, yet permit quick removal
- Grounding provisions are provided

Finish

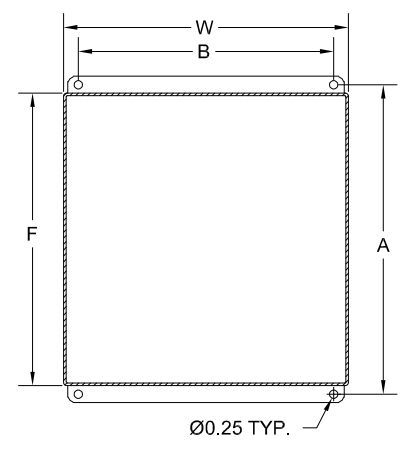
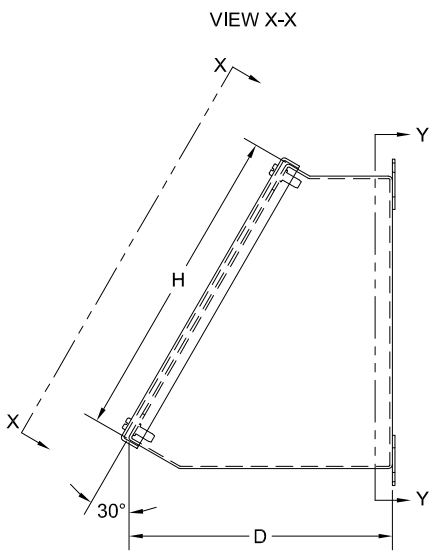
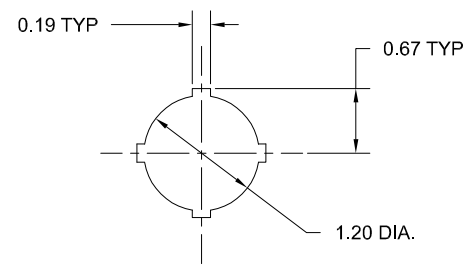
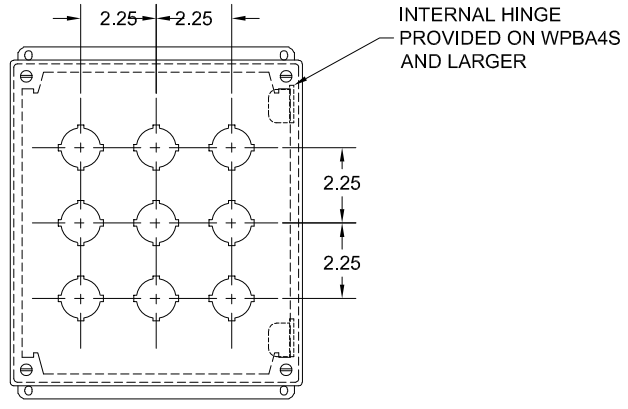
- ANSI-61 gray polyester powder inside and out

Accessories

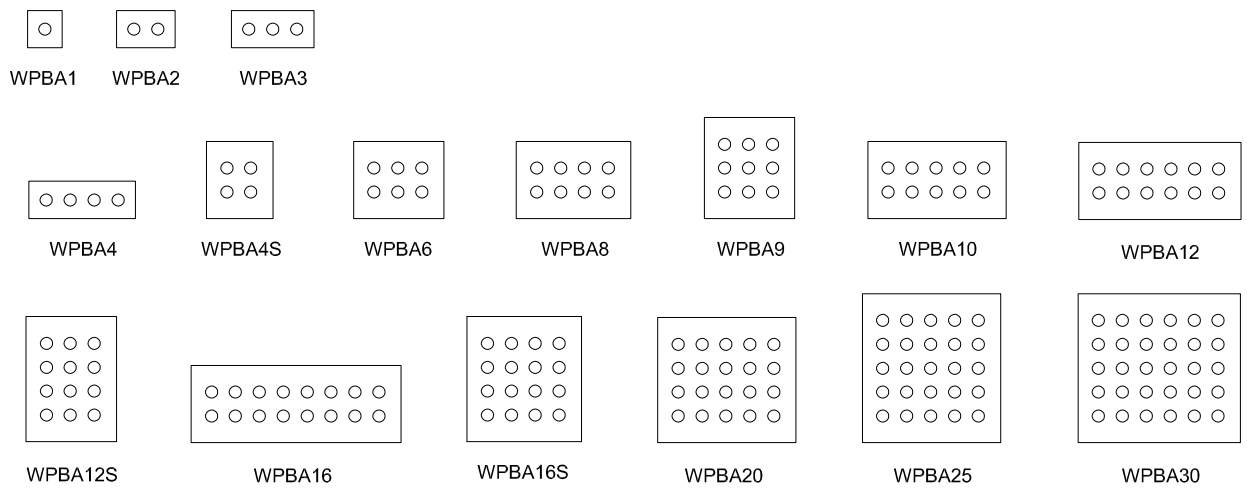
- See pages L1-L24

WPBA SERIES OPERATOR INTERFACE • 30.5MM SLOPING FRONT PUSHBUTTON ENCLOSURES

Catalog Number	Enclosure Size HxWxD	Mounting AxB	F
WPBA1	3.50x3.25x4.78 (89x83x121)	4.03x2.38 (102x60)	3.53 (90)
WPBA2	3.50x5.50x4.78 (89x140x121)	4.03x4.63 (102x117)	3.53 (90)
WPBA3	3.50x7.75x4.78 (89x197x121)	4.03x6.88 (102x175)	3.53 (90)
WPBA4	3.50x10.00x4.78 (89x254x121)	4.03x9.13 (102x232)	3.53 (90)
WPBA4S	7.25x6.25x6.66 (184x159x169)	7.28x5.38 (185x137)	6.78 (172)
WPBA6	7.25x8.50x6.66 (184x216x169)	7.28x7.63 (185x194)	6.78 (172)
WPBA8	7.25x10.75x6.66 (184x273x169)	7.28x9.88 (185x251)	6.78 (172)
WPBA9	9.50x8.50x7.78 (241x216x198)	9.25x7.63 (235x194)	8.75 (222)
WPBA10	7.25x13.00x6.66 (184x330x169)	7.28x12.13 (185x308)	6.78 (172)
WPBA12	7.25x15.25x6.66 (184x387x169)	7.28x14.38 (185x365)	6.78 (172)
WPBA12S	11.75x8.50x8.91 (298x216x226)	11.19x7.63 (284x194)	10.69 (271)
WPBA16	7.25x19.75x6.66 (184x502x169)	7.28x18.88 (185x479)	6.78 (172)
WPBA16S	11.75x10.75x8.91 (298x330x226)	11.19x9.88 (284x308)	10.69 (271)
WPBA20	11.75x13.00x8.91 (298x330x226)	11.19x12.13 (284x308)	10.69 (271)
WPBA25	14.00x13.00x10.03 (356x330x255)	13.13x12.13 (333x308)	12.63 (321)
WPBA30	14.00x15.25x10.03 (356x387x255)	13.13x14.38 (333x365)	12.63 (321)



WPBA Hole Arrangements



PB SERIES 30.5MM PUSHBUTTON ENCLOSURES NEMA 4 & 12 OPERATOR INTERFACE



PB4



PB3BC

Industry Standards

UL 508A, Type 4, 12 & 13
CSA Certified, Type 4 & 12
NEMA/EEMAC Type 4, 12 & 13

UL File E64791

CSA File LL66078

FEATURES-SPECIFICATIONS

Applications

Designed to hold all standard brands of pushbuttons, switches and pilot lights. Provides protection from dust, dirt, oil and water.

Construction

- Bodies and covers are fabricated from carbon steel
- Seams are continuously welded and ground smooth
- Closed cell oil resistant neoprene gasket

- External mounting plates at the top and bottom of enclosure
- Captivated cover screws thread into sealed wells
- Standard "4-way" pushbuttons holes accept all brands of oil-tight push buttons, switches and pilot lights
- Enclosures 7.25" x 6.25" x 3.00" and larger have internal detachable hinges to hold cover open during wiring, yet permit quick removal
- Grounding provisions are provided

Finish

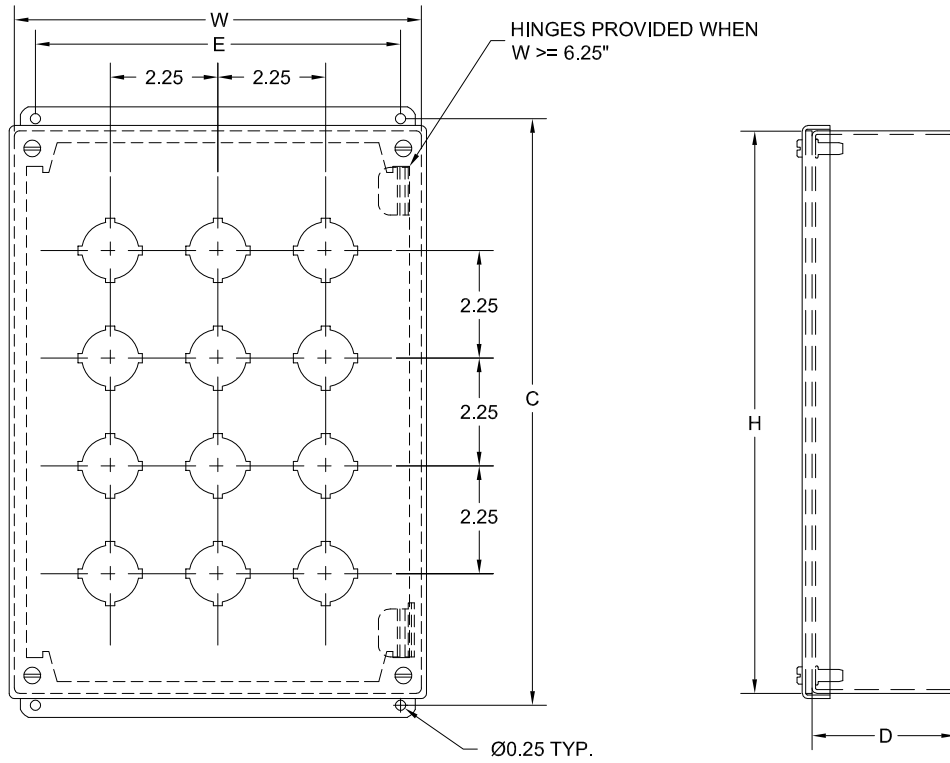
- ANSI-61 gray polyester powder inside and out

Accessories

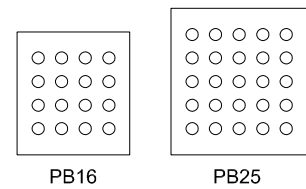
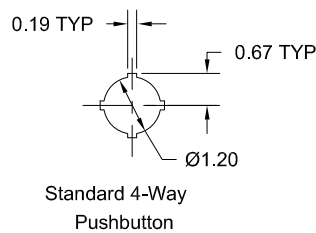
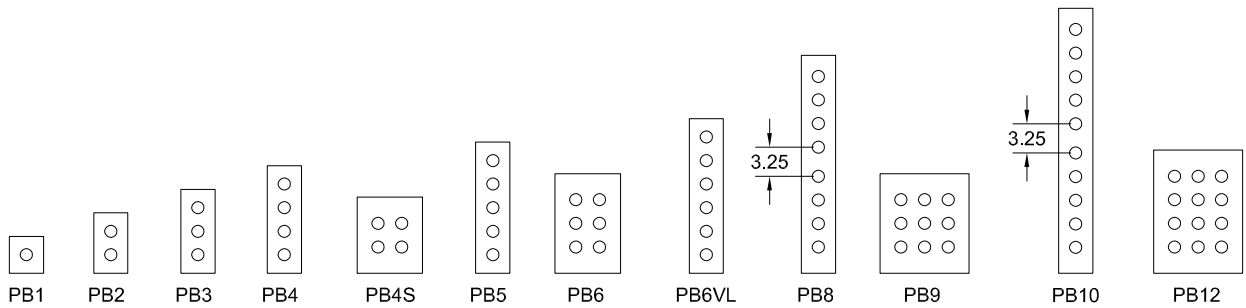
- See page E2 for stainless steel PBSS Series
- See pages L1-L24

PB SERIES OPERATOR INTERFACE 30.5MM PUSHBUTTON ENCLOSURES

Catalog Number	Blank Cover Catalog Number	Enclosure Size HxWxD	Mounting CxE
PB1	PB1BC	3.50x3.25x2.81 (89x83x71)	4.00x2.38 (102x60)
PB2	PB2BC	5.75x3.25x2.81 (146x83x71)	6.25x2.38 (159x60)
PB3	PB3BC	8.00x3.25x2.81 (203x83x71)	8.50x2.38 (216x60)
PB4	PB4BC	10.25x3.25x2.81 (260x83x71)	10.75x2.38 (273x60)
PB4S	PB4SBC	7.25x6.25x3.09 (184x159x79)	7.75x5.38 (197x137)
PB5	PB5BC	12.50x3.25x2.81 (318x83x71)	13.00x2.38 (330x60)
PB6	PB6BC	9.50x6.25x3.09 (241x159x79)	10.00x5.38 (254x137)
PB6VL	PB6VLBC	14.75x3.25x2.81 (375x83x71)	15.25x2.38 (387x60)
PB8	PB8BC	20.25x3.25x2.81 (514x83x71)	20.75x2.38 (527x60)
PB9	PB9BC	9.50x8.50x3.09 (241x216x79)	10.00x7.63 (254x194)
PB10	PB10BC	24.75x3.25x2.81 (629x83x71)	25.25x2.38 (641x60)
PB12	PB12BC	11.75x8.50x3.09 (298x216x79)	12.25x7.63 (311x194)
PB16	PB16BC	11.75x10.75x3.09 (298x273x79)	12.25x9.88 (311x251)
PB25	PB25BC	14.00x13.00x3.09 (356x330x79)	14.50x12.13 (368x308)



PB Hole Arrangements



PBGX SERIES 22.5MM PUSHBUTTON ENCLOSURES NEMA 4 & 12 OPERATOR INTERFACE



PBGX6

Industry Standards

UL 508A, Type 4, 12 & 13

CSA Certified, Type 4 & 13

NEMA/EEMAC Type 4, 12 & 13

 UL Files E64791

 CSA File LL66078

FEATURES-SPECIFICATIONS

Applications

Designed to hold all standard brands of miniature oil-tight pushbuttons, switches, and pilot lights. Provides protection from dust, dirt, oil and water.

Construction

- Bodies and covers are fabricated from carbon steel
- Seams are continuously welded and ground smooth
- Closed cell oil resistant neoprene gasket

- External mounting plates at the top and bottom of the enclosure
- Captivated cover screws thread into sealed wells
- Standard "4-way" 22mm miniature pushbutton holes accept all standard brands of miniature pushbuttons, switches and pilot lights
- Enclosures 8.50" x 5.00" x 4.25" and larger have internal detachable hinges to hold cover open during wiring, yet permit quick removal
- Grounding provisions are provided

Finish

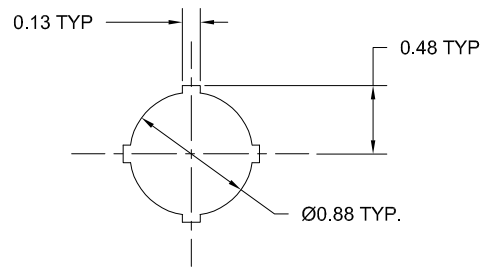
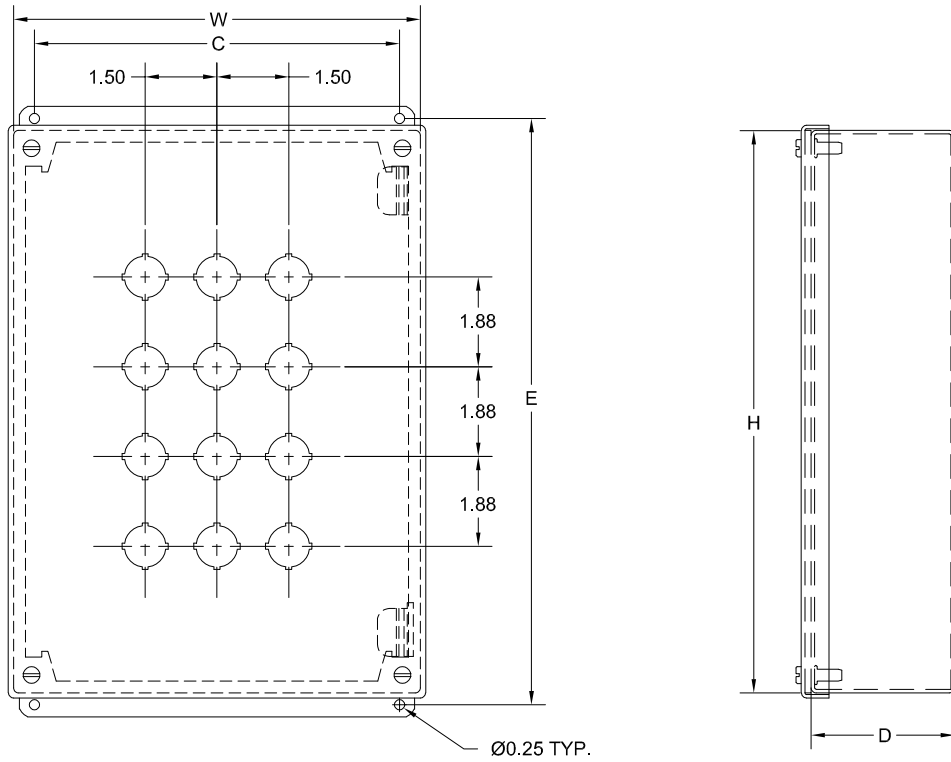
- ANSI-61 gray polyester powder inside and out

Accessories

- See pages L1-L24

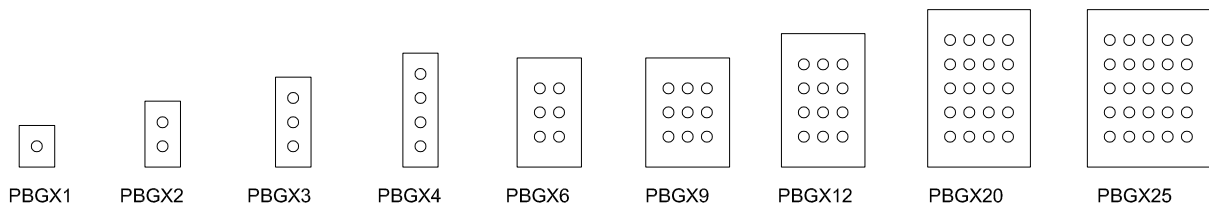
PBGX SERIES OPERATOR INTERFACE 22.5MM PUSHBUTTON ENCLOSURES

Catalog Number	Enclosure Size HxWxD	Mounting CxE	Overall LxM	F	I	A	B
PBGX1	3.25x2.75x3.50 (83x70x89)	1.88x3.75 (48x95)	4.25x3.06 (108x78)	2.50 (64)	3.09 (79)	1.53 (39)	1.78 (45)
PBGX2	5.13x2.75x3.50 (130x70x89)	1.88x5.63 (48x143)	6.13x3.06 (156x78)	2.50 (64)	3.09 (79)	1.53 (39)	1.78 (45)
PBGX3	7.00x2.75x3.50 (178x70x89)	1.88x7.50 (48x191)	8.00x3.06 (203x78)	2.50 (64)	3.09 (79)	1.53 (39)	1.78 (45)
PBGX4	8.88x2.75x3.50 (225x70x89)	1.88x9.38 (48x238)	9.88x3.06 (251x78)	2.50 (64)	3.09 (79)	1.53 (39)	1.78 (45)
PBGX6	8.50x5.00x4.25 (216x127x108)	4.13x9.00 (105x229)	9.50x5.31 (241x135)	4.75 (121)	3.84 (98)	1.91 (48)	2.53 (64)
PBGX9	8.50x6.50x4.25 (216x165x108)	5.63x9.00 (143x229)	9.50x6.81 (241x173)	6.25 (159)	3.84 (98)	1.91 (48)	2.53 (64)
PBGX12	10.38x6.50x4.25 (264x165x108)	5.63x10.88 (143x276)	11.38x6.81 (289x173)	6.25 (159)	3.84 (98)	1.91 (48)	2.53 (64)
PBGX20	12.25x8.00x4.25 (311x203x108)	7.13x12.75 (181x324)	13.25x8.31 (337x211)	7.75 (197)	3.84 (98)	1.91 (48)	2.53 (64)
PBGX25	12.25x9.50x4.25 (311x241x108)	8.63x12.75 (219x324)	13.25x9.81 (337x249)	9.25 (235)	3.84 (98)	1.91 (48)	2.53 (64)



Standard 4-Way
Miniature Pushbutton

PBGX Hole Arrangements



PBXD SERIES 30.5MM PUSHBUTTON ENCLOSURES NEMA 4 & 12 OPERATOR INTERFACE



PBXD6

Industry Standards

UL 508A, Type 4, 12 & 13

CSA Certified, Type 4 & 12

NEMA/EEMAC Type 4, 12 & 13

 UL File E64791

 CSA File LL66078

FEATURES-SPECIFICATIONS

Applications

Designed to hold 30.5mm oil-tight pushbuttons, switches, and pilot lights. Provides protection against dirt, dust, oil, and water. Extra deep design accommodates additional contact blocks for pushbuttons.

Construction

- Bodies and doors are fabricated from carbon steel
- Seams are continuously welded and ground smooth

- Closed cell oil resistant neoprene gasket
- External mounting plates at the top and bottom of the enclosure
- Captivated cover screws thread into sealed wells
- Standard "4-way" pushbuttons holes accept all brands of oil-tight push buttons, switches and pilot lights
- Enclosures 6.00" x 4.00" x 4.75" and larger have internal detachable

hinges to hold cover open during wiring, yet permit quick removal

- Grounding provisions are provided

Finish

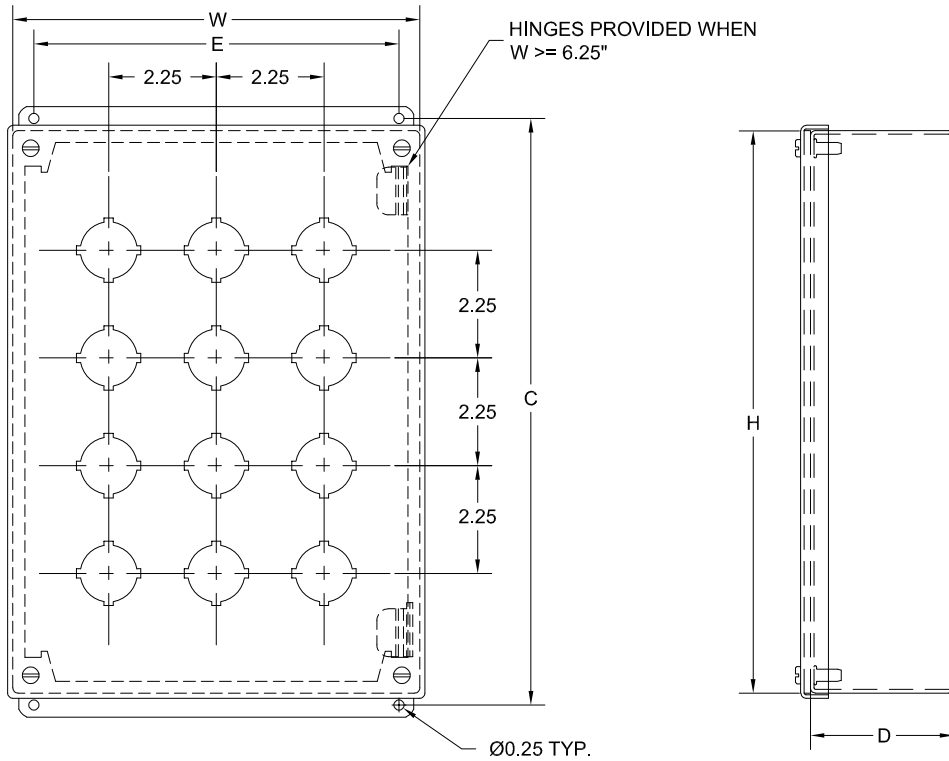
- ANSI-61 gray polyester powder inside and out over phosphatized surfaces

Accessories

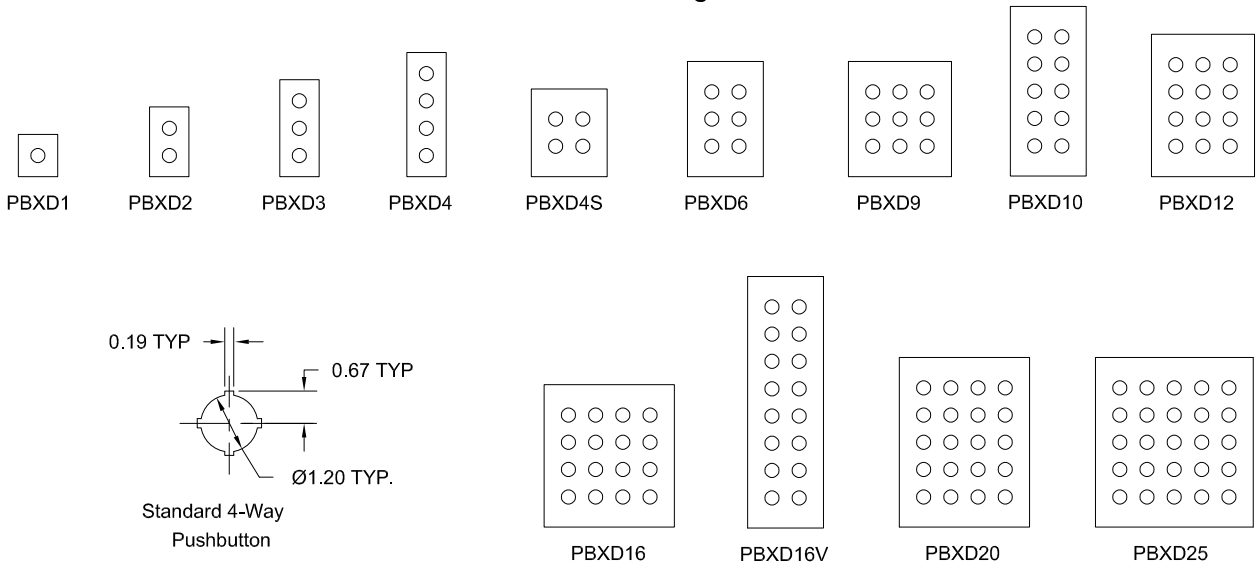
- See page E4 for stainless steel PBXDSS Series
- See pages L1-L24

PBXD SERIES OPERATOR INTERFACE 30.5MM PUSHBUTTON ENCLOSURES

Catalog Number	Enclosure Size HxWxD	Mounting CxE
PBXD1	4.00x4.00x4.81 (102x102x122)	3.13x4.50 (79x114)
PBXD2	6.00x4.00x4.81 (152x102x122)	3.13x6.50 (79x165)
PBXD3	8.00x4.00x4.81 (203x102x122)	3.13x8.50 (79x216)
PBXD4	10.00x4.00x4.81 (254x102x122)	3.13x10.50 (79x267)
PBXD4S	7.25x6.25x4.81 (184x159x122)	5.38x7.75 (137x197)
PBXD6	9.50x6.25x4.81 (241x159x122)	5.38x10.00 (137x254)
PBXD9	9.50x8.50x4.81 (241x216x122)	7.63x10.00 (194x254)
PBXD10	14.00x6.25x4.81 (356x159x122)	5.38x14.50 (137x368)
PBXD12	11.75x8.50x4.81 (298x216x122)	7.63x12.25 (194x311)
PBXD16	11.75x10.75x4.81 (298x273x122)	9.88x12.25 (251x311)
PBXD16V	20.75x6.25x4.81 (527x159x122)	5.38x21.25 (137x540)
PBXD20	14.00x10.75x4.81 (356x273x122)	9.88x14.50 (251x368)
PBXD25	14.00x13.00x4.81 (356x330x122)	12.13x14.50 (308x368)



PBXD Hole Arrangements



PSL SERIES 30.5MM PUSHBUTTON ENCLOSURES NEMA 4 & 12 OPERATOR INTERFACE



PSL4

Industry Standards

UL 508A, Type 4, 12 & 13

CSA Certified, Type 4 & 12

NEMA/EEMAC Type 4, 12 & 13

 UL Files E64791

 CSA File LL66078

FEATURES-SPECIFICATIONS

Applications

Designed to hold all standard brands of pushbuttons, switches and pilot lights. Provides protection from dust, dirt, oil and water. This "Slimline" model is designed for conditions where enclosures must fit within a very limited space.

Construction

- Bodies and covers are fabricated from carbon steel

- Seams are continuously welded and ground smooth
- Closed cell oil resistant neoprene gasket
- External mounting plates at the top and bottom of the enclosure
- Captivated cover screws thread into sealed wells
- Standard 4-way pushbutton holes accept all brands of oil-tight push-buttons, switches and pilot lights
- Grounding provisions are provided

Finish

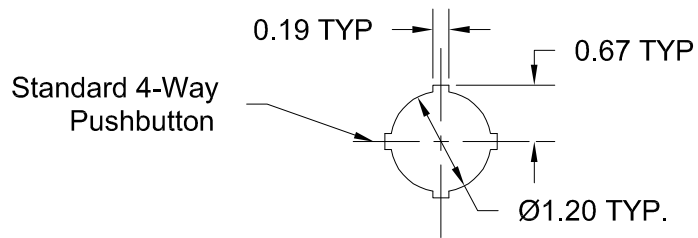
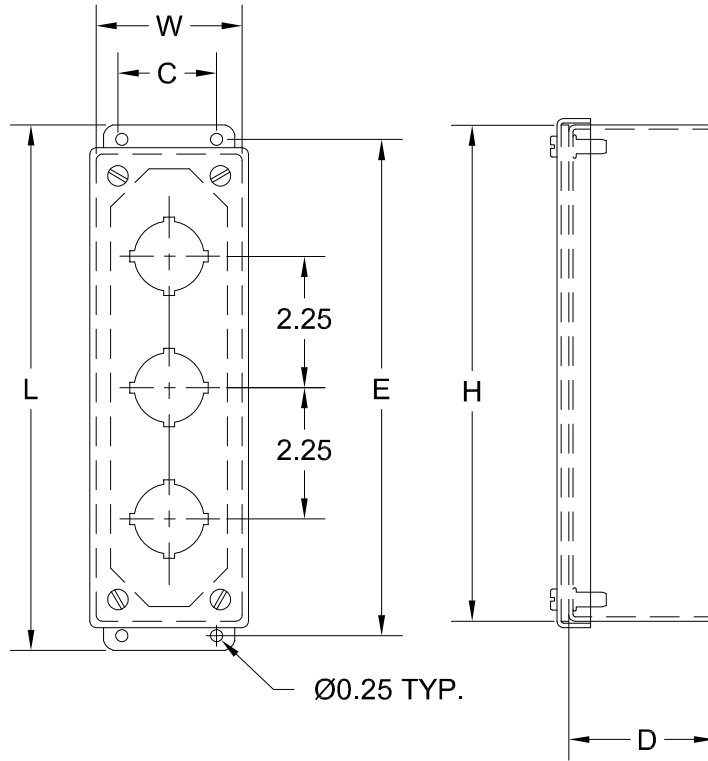
- ANSI-61 gray polyester powder inside and out

Accessories

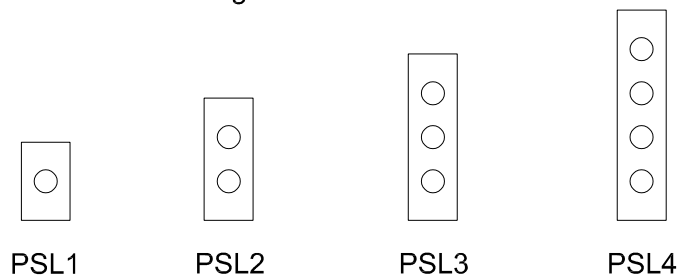
- See pages L1-L24

PSL SERIES OPERATOR INTERFACE 30.5MM PUSHBUTTON ENCLOSURES

Catalog Number	Enclosure Size HxWxD	Mounting CxE	Overall LxM	F	I
PSL1	4.00x2.50x2.50 (102x64x64)	1.63x4.50 (41x114)	5.00x2.81 (127x71)	2.25 (57)	2.09 (53)
PSL2	6.25x2.50x2.50 (159x64x64)	1.63x6.75 (41x171)	7.25x2.81 (184x71)	2.25 (57)	2.09 (53)
PSL3	8.50x2.50x2.50 (216x64x64)	1.63x9.00 (41x229)	9.50x2.81 (241x71)	2.25 (57)	2.09 (53)
PSL4	10.75x2.50x2.50 (273x64x64)	1.63x11.25 (41x286)	11.75x2.81 (298x71)	2.25 (57)	2.09 (53)



PSL Hole Arrangements



PBYX SERIES 30.5MM PUSHBUTTON ENCLOSURES NEMA 4 & 12 OPERATOR INTERFACE



PBX12

Industry Standards
UL 508A, Type 4, 12 & 13
CSA Certified, Type 4, & 12
NEMA/EEMAC Type 4, 12 & 13

 UL Files E64791

 CSA File LL66078

FEATURES-SPECIFICATIONS

Applications

Designed to hold 30.5mm oil-tight pushbuttons, switches, and pilot lights with extra size to allow 2.50" between centers of pushbutton holes. Provide protection against dirt, dust, oil, and water.

Construction

- Bodies and covers are fabricated from carbon steel
- Seams are continuously welded and ground smooth

- Continuous hinge is provided
- Back panel is included with the enclosure
- Closed cell oil resistant neoprene gasket
- External mounting plates at the top and bottom of enclosure
- Captivated cover screws thread into sealed wells
- Standard "4-way" pushbutton holes accept all brands of oil-tight push buttons, switches and pilot lights

- Grounding provisions provided

Finish

- ANSI-61 gray polyester powder inside and out
- Included back panels are painted with a white polyester powder

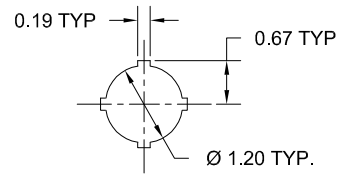
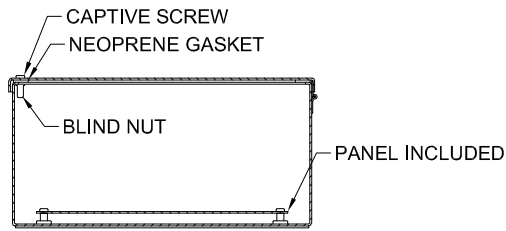
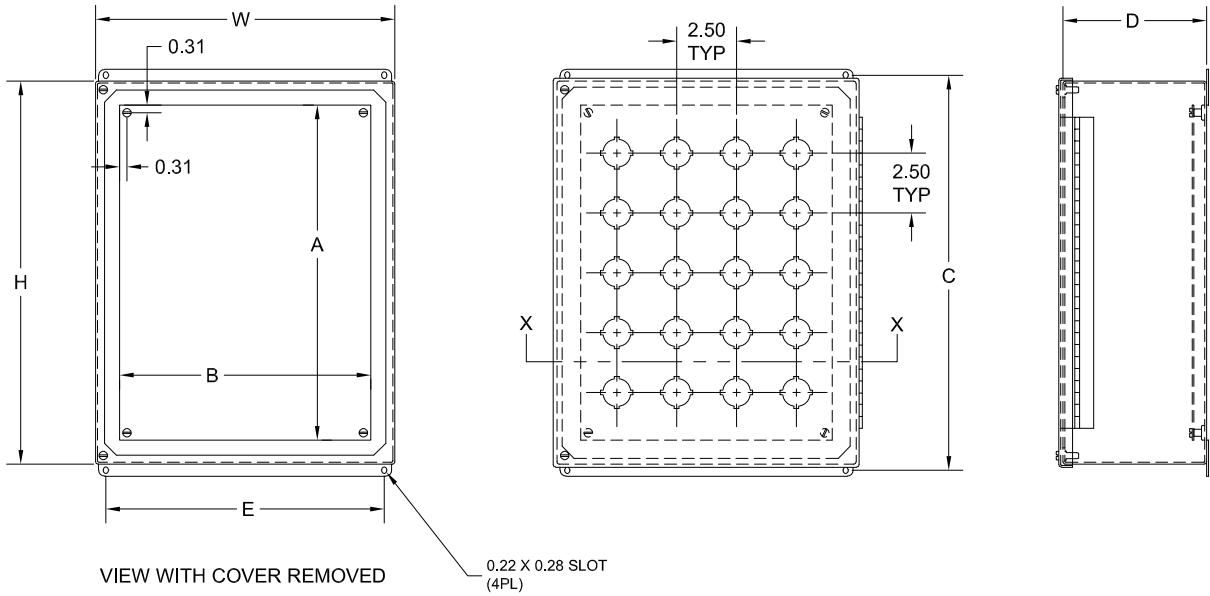
Accessories

- See pages L1-L24

PBYX SERIES OPERATOR INTERFACE 30.5MM PUSHBUTTON ENCLOSURES

Catalog Number	Enclosure Size HxWxD	Mounting CxE	Back Panel Size AxB
PBYX4S	8.50x7.50x6.00 (216x191x152)	9.00x6.50 (229x165)	6.50x5.50 (165x140)
PBYX6	11.00x7.50x6.00 (279x191x152)	11.50x6.50 (292x165)	9.00x5.50 (229x140)
PBYX9	11.00x10.00x6.00 (279x254x152)	11.50x9.00 (292x229)	9.00x8.00 (229x203)
PBYX12	13.50x10.00x6.00 (343x254x152)	14.00x9.00 (356x229)	11.50x8.00 (292x203)
PBYX16	13.50x12.50x6.00 (343x318x152)	14.00x11.50 (356x292)	11.50x10.50 (292x267)
PBYX20	16.00x12.50x6.00 (406x318x152)	16.50x11.50 (419x292)	14.00x10.50 (356x267)
PBYX25	16.00x15.00x6.00 (406x381x152)	16.50x14.00 (419x356)	14.00x13.00 (356x330)
PBYX30	18.50x15.00x6.00 (470x381x152)	19.00x14.00 (483x356)	16.50x13.00 (419x330)
PBYX36	18.50x17.50x6.00 (470x445x152)	19.00x16.50 (483x419)	16.50x15.50 (419x394)
PBYX42	21.00x17.50x6.00 (533x445x152)	21.50x16.50 (546x419)	19.00x15.50 (483x394)

*Back panels included with enclosure.



Standard 4-Way Pushbutton

PBYX Hole Arrangements

