

BALDOR® • RELIANCE 

Product Information Packet

111

20C 2P BUFFER

Part Detail							
Revision:	-	Status:	PRD/A	Change #:		Proprietary:	No
Type:	AC	Elec. Spec:	G7WG0030	CD Diagram:	CD0279	Mfg Plant:	
Mech. Spec:	G7-0429	Layout:	G7LY0429	Poles:	02	Created Date:	08-06-2018
Base:	RG	Eff. Date:	08-10-2018	Leads:	4#18		

Specs			
Nameplate Output:	.33		

Nameplate NP3352L	
CAT.NO.	111
HP	.33
PHASE	1
HZ	60
SER.NO	
SPEC.	G7-0429-0030G1
BLANK	
	VOLTS 115
	AMPS 4.2
	RPM 3600

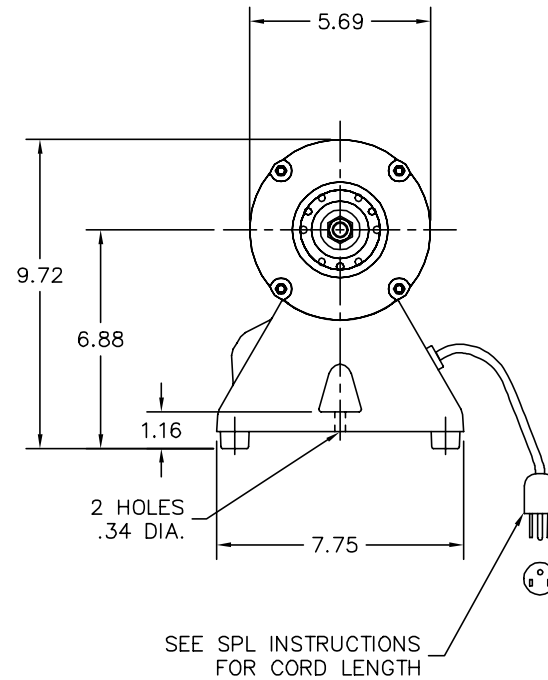
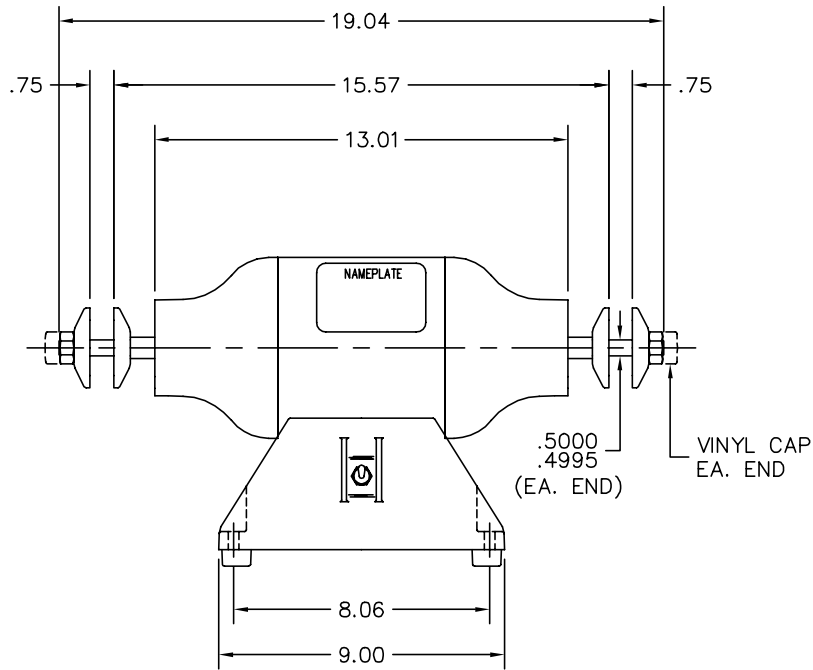
Parts List		
Part Number	Description	Quantity
SA359418	SA G7-0429-0030G1	1.000 EA
RA348508	RA G7-0429-0030G1	1.000 EA
OC3006F12	CYL OIL CAP 6MFD/370V	1.000 EA
G7BA3000	G7-286 BASE DIE CAST	1.000 EA
WD4102A01	SR-6L-1 HEYCO STRN RELIEF OR 23MPO6L10 M	1.000 EA
WD1000A16	2-520128-2 AMP FLAG TERMINAL(4M/RL)	4.000 EA
11XW1032G06	10-32 X .38, TAPTITE II, HEX WSHR SLTD U	1.000 EA
HW3001B01	BRASS CUP WASHER, FOR #10 SCREW	1.000 EA
SP9000SP	80600BJ A-H OR 1520237-2 TYCO;2PST,125/2	1.000 EA
HW1003A50	LOCKWASHER,1/2",EXT.TOOTHZINC PLATED	1.000 EA
G7CB4500	BASE COVER PLATE 7" GRINDER	1.000 EA
51XW1032A06	10-32 X .38, TAPTITE II, HEX WSHR SLTD S	2.000 EA
RM1005A01A	BASE FOOT & SCREW ASSLY	4.000 EA
G7EP3900A04	ENDPLATE, MACH	1.000 EA
G7EP3900A04	ENDPLATE, MACH	1.000 EA
XY1032A02	10-32 HEX NUT DIRECTIONAL SERRATION	4.000 EA
HA6050A02SP	FLANGE, WHEEL, MACH	2.000 EA
HA6050A02SP	FLANGE, WHEEL, MACH	2.000 EA
HW3021C04	SPRG PIN 3/32 DIA .375LGH DRIV-LOK	1.000 EA
HW3021C04	SPRG PIN 3/32 DIA .375LGH DRIV-LOK	1.000 EA
XY5020A12SP	1/2-20 NUT R.H. HEX (NF)	1.000 EA
XY5020A62SP	1/2-20 NUT L.H. HEX (NF)X	1.000 EA
RM1010A04	VNYL CAP.750-10 701-89 BLACK S/R Q=	1.000 EA
RM1010A04	VNYL CAP.750-10 701-89 BLACK S/R Q=	1.000 EA

Parts List (continued)		
Part Number	Description	Quantity
51XN1032A06	10-32 X .38 HEX SLOTTED SERRATED WASHER	2.000 EA
XY1032A02	10-32 HEX NUT DIRECTIONAL SERRATION	2.000 EA
HA3100A29	THRUBOLT 10-32 X 7.00	4.000 EA
LD5001A11	6' cord w/115V plug 18-3 105C 300V B W G	1.000 EA
WD4006C05	ORANGE, WIRENUT, G-B #13-003 ORG SIZE 73B	3.000 EA
HA6053A01ZP	CLAMP, CAPACITOR 2" DIA, WHITE ZINC PLAT	1.000 EA
MG2000A17	RUST INHIBITOR PART # SRPO #20	0.001 GA
MG1000G01	MUNSELL 5.93PB 3.81/ 2.71 HF BATTLESHIP	0.014 GA
85XU0407S04	4X1/4 U DRIVE PIN STAINLESS	2.000 EA
LB1009N	LABEL, ROTATION DIRECTION (ON ROLLS)	1.000 EA
LB1091	LABEL, WARNING BUFFERS	1.000 EA
MN906	Baldor Buffer 6/13	1.000 EA
LB1119N	WARNING LABEL	1.000 EA
LC0279A01	1PH, DV, FIX, GRINDER, CONN FOR LV	1.000 EA
NP3352L	ALUM NAMEPLATE - BALDOR BUFFER NO LOGOS	1.000 EA
G7PA1014	PKG GRP, BLANK PK1034	1.000 EA

Accessories		
Part Number	Description	Multiplier
GA16E	PEDESTAL LIGHT INDUSTRIAL,STEEL	A8
GA16	PEDESTAL INDUSTRIAL, CAST IRON 6" - 10"	A8
GA14	PEDESTAL FABRICATED STEEL W/SHELVES	A8
A65	6" COTTON BUFFING WHEEL 1/2" BORE	A8
BQ1-015-CC	1PH Brake, NEMA 1,110-125 VAC, 50/60Hz	P1
BQ1-015-CP	1PH Brake, Panel 110-125 VAC, 50/60 Hz	P1

No performance data has been
assigned to this product.

G7LY0429



CUSTOMER IS RESPONSIBLE FOR DETERMINING THAT BALDOR'S PRODUCT WILL PERFORM SUITABLY IN THE INTENDED APPLICATION.

REV. DESC: NEW		
REV. LTR: -	VERSION: 00	TDR: 000001079698
FILE: \AAA\00244\395	REVISED: 04: 31: 41 08/06/2018	BY: ENMARHO
MTL: -	☉ □	

BALDOR - RELIANCE®

BUFFER 7" TYPE "C" - 115V W/SHAFT EXT FROM G6-209 (.50 DIA)

SH 1 of 1

G7LY0429

