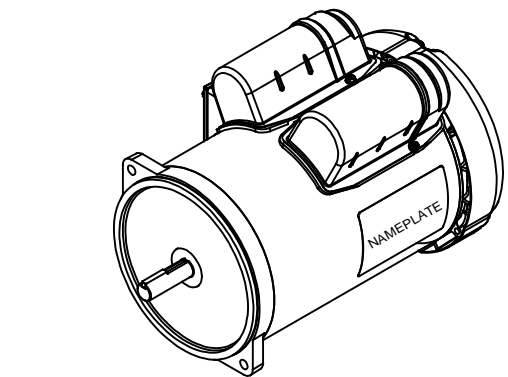
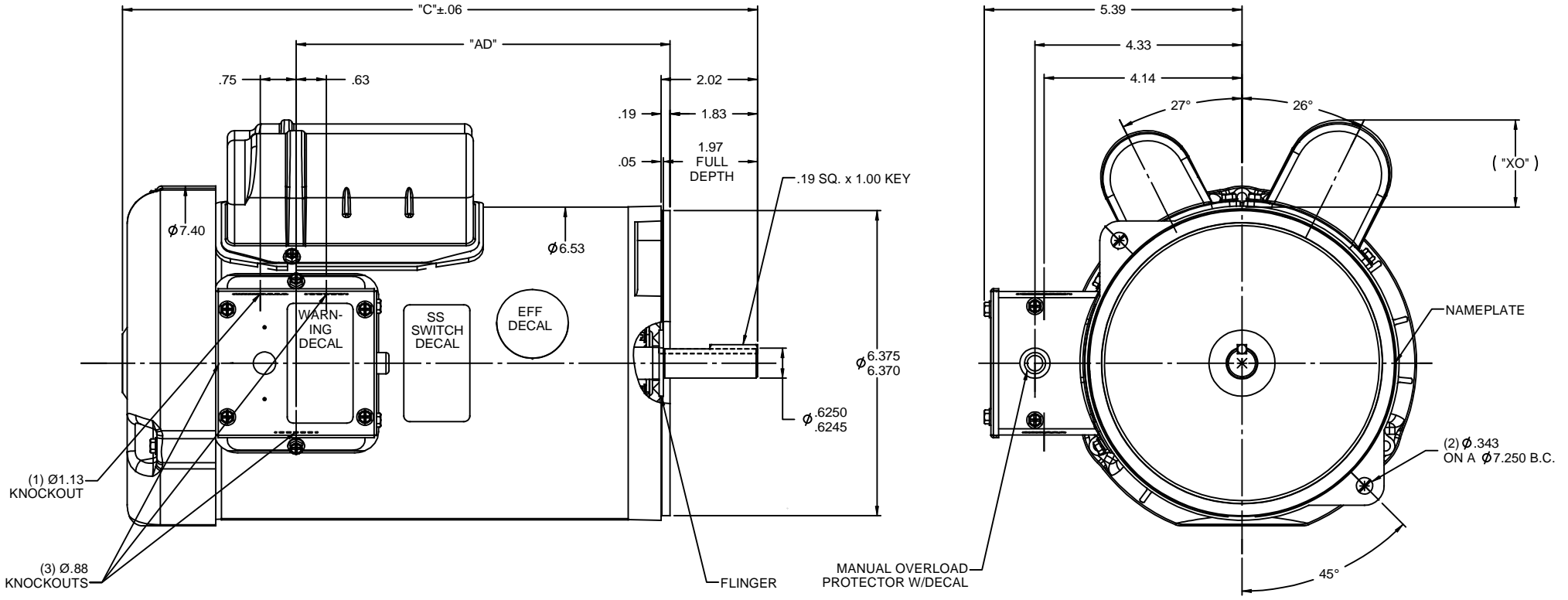


RBC PROPRIETARY AND CONFIDENTIAL INFORMATION
 This document is the property of REGAL BELOIT CORPORATION ("RBC") including its subsidiaries and divisions and contains proprietary information of RBC. This document is loaned on the express condition that neither it nor the information contained therein shall be disclosed to others without the express written consent of RBC, and that the information shall be used by the recipient only as approved expressly by RBC. This document shall be returned to RBC upon its request. This document may be subject to certain restrictions under U.S. export control laws and regulations.



DASH NO.	"C"	"AD"	CAP DASH	"XO"
700	11.77	6.31	A	1.15
750	12.27	6.81	B	1.60
800	12.77	7.31	C	1.82
850	13.27	7.81		

NOTE:
 1) GASKETS THROUGHOUT

TOLERANCES UNLESS SPECIFIED		DEC INCHES		TITLE	ELECTRIC MOTORS GEARMOTORS AND DRIVES	DRAWN JJK 03/28/08
x	±.1	xx	±.03			
xxx	±.005	xxx	±.005	TEFC - OIL BURNER FLANGE	REF 028832	APPR
01	ADDED ISOMETRIC VIEW AS PER ISAAC #08-3884	GRB 9/8/2008	VS xxx	MATL	FMF	PAGE 1 OF 1
REVISION		BY & DATE	CHK ANG ±1/2°	FINISH	DRAWING NO	
THIRD ANGLE PROJECTION		RFP	PREV	SIZE	DRAWING NO	
		NETWORK FILE NAME		B	028817	
					REV 01	