

Rexnord® TableTop® and MatTop® Chains



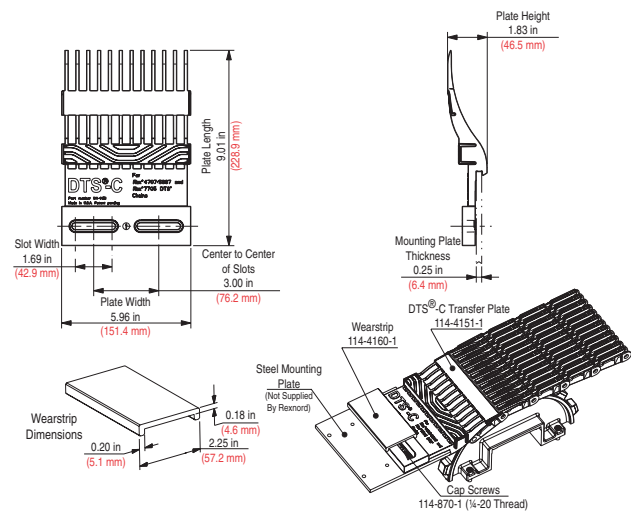
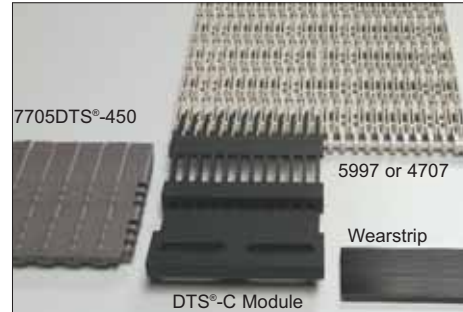
5997 & 4707 MatTop® Chain

Rexnord® DTS®-C System is a self clearing 90° transfer for warmers, coolers, pasteurizers, and accumulation tables utilizing Rexnord 5997 or 4707 and 7705-DTS MatTop® Chains. This system combines the benefits of a comb transfer with the self clearing capabilities of a DTS (DynamicTransfer System™) chain. Compared to other systems, its unique feature is the continuous product flow to and from a raised rib chain. With improved stiffness compared to most finger transfer plates, the 7705 DTS chain is fully supported so product tipping is minimized. The discharge and DTS chains are supported by the same

wearstrip making transfers smooth and problem free. The result is a system that can be incorporated into new equipment as well as existing warmers, coolers, and accumulation tables. DTS-C is another solution to keep your line running smooth throughout the many product change overs prevalent in today's food and beverage market.

Features & Benefits

- Combines the smooth product transfer of a comb with the self clearing action of a DTS® chain
- For use with 4707 or 5997 chains in conjunction with 7705DTS-450 as the takeaway chain
- Allows for continuous product flow to and from the raised rib Rexnord® MatTop® chain
- DTS®-C modules mount to standard 1/4" plate for ease of setup and adjustment
- The 7705DTS-450 chain is fully supported across its width to minimize product tipping
- Discharge chains are supported by the same wearstrip as the takeaway chains for smooth product transfer
- Can retrofit an existing system utilizing Rexnord 4707 or 5997 MatTop chains
- Design manual available to assist in incorporating DTS-C into both new and existing systems (8rxDTS-Cdm-en)
- Works with all 4707 or 5997 sprockets
- Comb teeth extend below the surface to help combs move from side to side as temperatures change
- UHMWPE wearstrip available in 10 foot sections to cover gaps between modules resulting in smooth transfers



TableTop, MatTop, DTS, DTS-C, and Rexnord are registered trademarks, and DynamicTransfer System is a trademark of Rexnord Industries, LLC. All rights reserved.

WORLDWIDE CUSTOMER SERVICE

AUSTRALIA

Rexnord Australia Pty. Ltd.
Picton, New South Wales
Phone: 61-2-4677-3811
Fax: 61-2-4677-3812

BRAZIL

Rexnord Correntes Ltda.
Sao Leopoldo - RS
Phone: 55-51-579-8022
Fax: 55-51-579-8029

CANADA

Rexnord Canada Ltd.
Scarborough, Ontario
Phone: 1-416-297-6868
Fax: 1-416-297-6873

CHINA

Rexnord China
Shanghai, China
Phone: 86-21-62701942
Fax: 86-21-62701943

EUROPE

Rexnord NV/SA
Mechelen, Belgium
Phone: 32-15-443811
Fax: 32-15-443860

Rexnord Kette GmbH
Betzdorf, Germany
Phone: 49-2741-2840
Fax: 49-2741-284-385

LATIN AMERICA

Rexnord International, Inc.
Milwaukee, Wisconsin
Phone: 1-414-643-2366
Fax: 1-414-643-3222
E-mail: international2@rexnord.com

MEXICO

Rexnord S.A. de C.V.
Queretaro, Qro.
Phone: 52-442-218.5000
Fax: 52-442-218-1090

SINGAPORE

Rexnord International, Inc.
Singapore City, Singapore
Phone: 65-6338-5622
Fax: 65-6338-5422

UNITED STATES

Customer Service
Phone: 1-866-REXNORD
(1-866-739-6673)
Fax: 1-614-675-1898
E-mail: rexnordcs(state)@rexnord.com
Example: rexnordcssohio@rexnord.com

ALL COUNTRIES NOT LISTED

Rexnord International, Inc.
Milwaukee, Wisconsin
Phone: 1-414-643-2366
Fax: 1-414-643-3222
E-mail: international1@rexnord.com