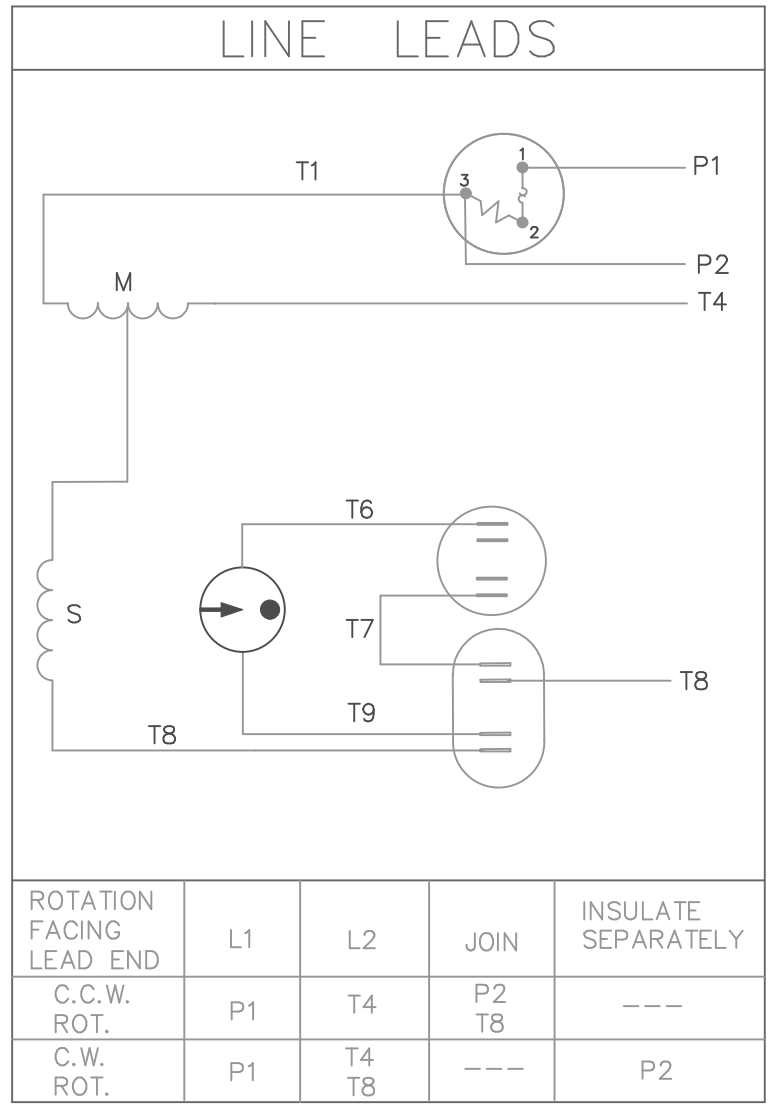
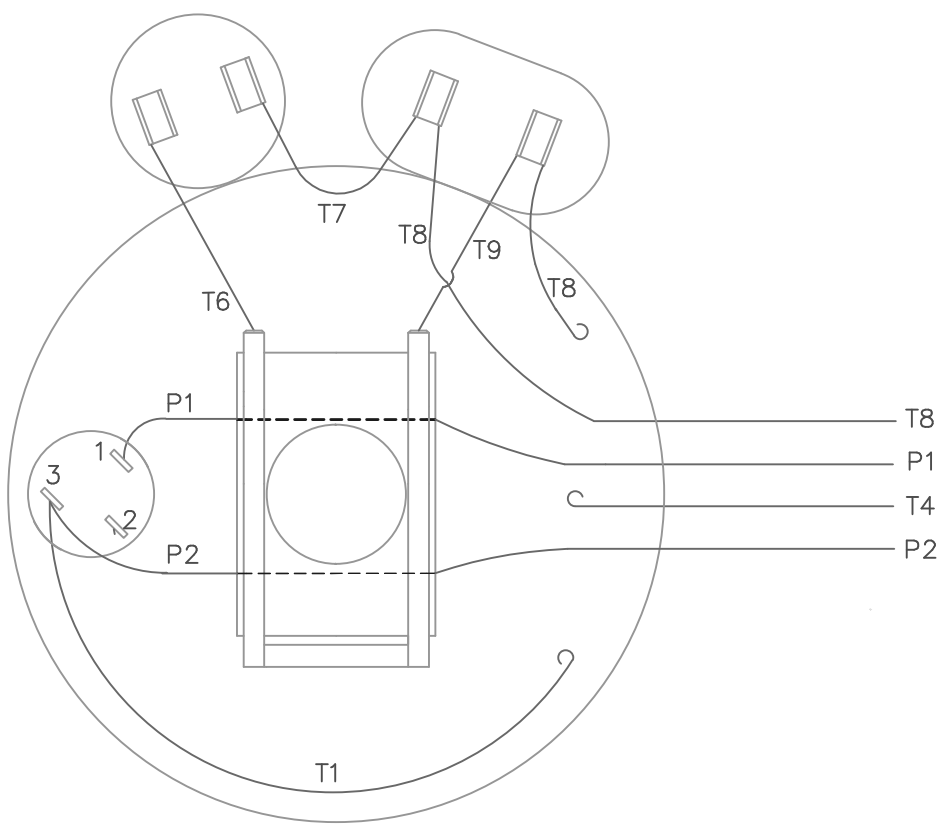



VIEW FROM OUTSIDE OF MOTOR AT SWITCH END.



				TOLERANCES UNLESS SPECIFIED		 ELECTRIC MOTORS GEARMOTORS AND DRIVES	DRAWN JGO 11/01/04		
				DEC.	INCHES		CHK		
				.X	±.1		APPD		
				.XX	±.01		SCALE		
				.XXX	±.005		REF		
				.XXXX	±.0005	MAT'L. REF DECAL 080025	FMF		
NO.	REVISION	BY & DATE	CHK	ANG	±1/2"	FINISH	PREV		
THIS DRAWING IN DESIGN AND DETAIL IS OUR PROPERTY AND MUST NOT BE USED EXCEPT IN CONNECTION WITH OUR WORK ALL RIGHTS OF DESIGN AND INVENTION ARE RESERVED THIS IS AN ELECTRONICALLY GENERATED DOCUMENT - DO NOT SCALE THIS PRINT				RFP	CAD FILE	00548601	SIZE A	DRAWING NO. 005486-01	REV.
				DIST					