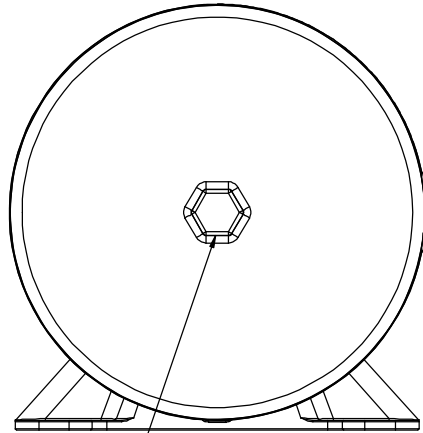
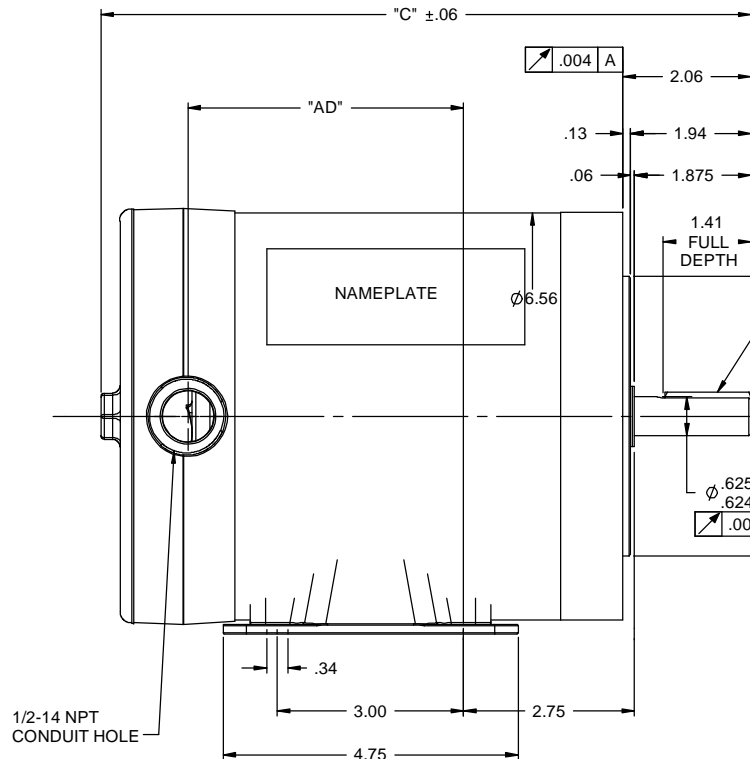


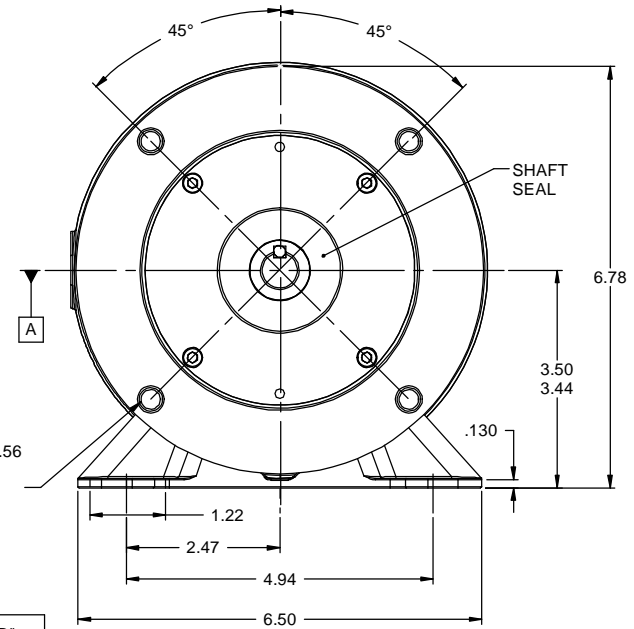
RBC PROPRIETARY AND CONFIDENTIAL INFORMATION
 This document is the property of REGAL BELOIT CORPORATION ("RBC") including its subsidiaries and divisions and contains proprietary information of RBC. This document is loaned on the express condition that neither it nor the information contained therein shall be disclosed to others without the express written consent of RBC, and that the information shall be used by the recipient only as approved expressly by RBC. This document shall be returned to RBC upon its request. This document may be subject to certain restrictions under U.S. export control laws and regulations.



3/4" HEX DRIVER FOR COVER REMOVAL



1/2-14 NPT CONDUIT HOLE



SHAFT SEAL

DASH NO	"C"	"AD"
525	10.47	4.44
550	10.72	4.69
575	10.97	4.94
600	11.22	5.19
625	11.47	5.44
650	11.72	5.69
675	11.97	5.94
700	12.22	6.19
725	12.47	6.44
750	12.72	6.69
775	12.97	6.94

(4) 3/8-16 UNC-2B X .56 DEEP ON A Ø5.875 B.C.

TOLERANCES UNLESS SPECIFIED		DRAWN LST 9/9/09	
DEC	INCHES	CHK	
X	±.1	APPR	
XX	±.03	SCALE 1:2	
XXX	±.005	REF	
XXXX	±.0005	FMF	
NO	REVISION	BY & DATE	PAGE OF
		CHK LANG ±1/2"	FINISH
		RFP	PREV
		THIRD ANGLE PROJECTION	SIZE B
		NETWORK FILE NAME	DRAWING NO 028767
			REV



TITLE OUTLINE 56C FRAME
 TENV RIGID "C"