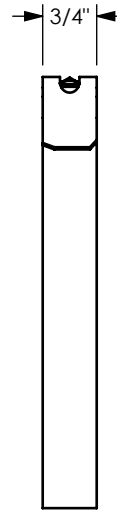
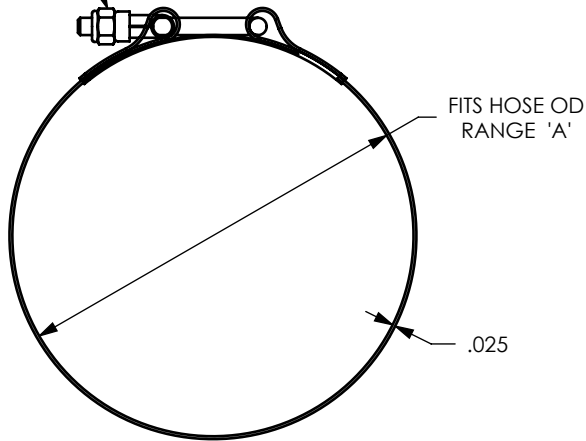


USES A STANDARD  
7/16" WRENCH



STBC1688L	16.43"	17.00"
STBC1665L	16.20"	16.77"
STBC1520L	14.75"	15.32"
STBC1488L	14.43"	15.00"
STBC1465L	14.20"	14.77"
STBC1320L	12.75"	13.32"
STBC1288L	12.43"	13.00"
STBC1265L	12.20"	12.77"
STBC1117L	10.72"	11.29"
STBC1107L	10.62"	11.19"
STBC1088L	10.43"	11.00"
STBC1070L	10.25"	10.82"
STBC907L	8.62"	9.19"
STBC888L	8.43"	9.00"
STBC875L	8.30"	8.87"
STBC850L	8.05"	8.62"
STBC707L	6.62"	7.19"
STBC700L	6.55"	7.12"
STBC698L	6.53"	7.10"
STBC675L	6.30"	6.87"
STBC650L	6.05"	6.62"
STBC632L	5.87"	6.44"
STBC600L	5.55"	6.12"
STBC582L	5.37"	5.94"
STBC550L	5.05"	5.62"
STBC532L	4.87"	5.44"
STBC500L	4.55"	5.12"
STBC482L	4.37"	4.94"
STBC450L	4.05"	4.62"
STBC432L	3.87"	4.44"
STBC420L	3.75"	4.32"
STBC400L	3.55"	4.12"
STBC382L	3.37"	3.94"
STBC350L	3.05"	3.62"
STBC325L	2.80"	3.37"
PART NUMBER	FROM	TO
	HOSE OD RANGE 'A'	



The Right Connection™

PROPRIETARY AND CONFIDENTIAL

This drawing is owned by Dixon Valve & Coupling Co. and shall be returned upon demand. It is loaned on condition that it shall not be copied or reproduced or submitted to others without the owners consent. In accepting it subject to this condition the recipient further agrees that this drawing or any design detail or concept disclosed herein shall not be used in any way detrimental to or in competition with the owner. If the recipient does not agree to the terms of this agreement they shall return this drawing immediately. The information contained in this drawing is subject to change without notice.

DO NOT SCALE THIS DRAWING

DIXON  U.S.A.

THE RIGHT CONNECTION™

TITLE: LONG T-BOLT CLAMPS

MATERIAL: 300 SERIES STAINLESS STEEL

PART NUMBER: **STBCXXXL**