

## ASME Air Receiver Manifold

**Features:**

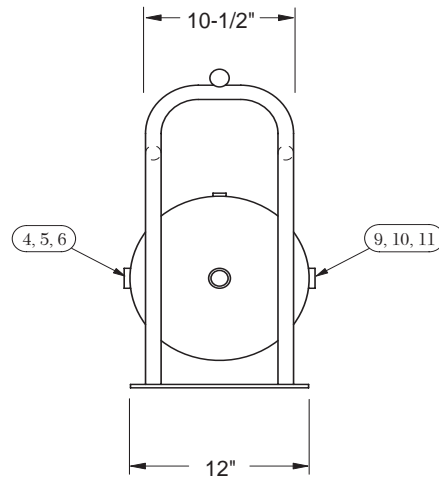
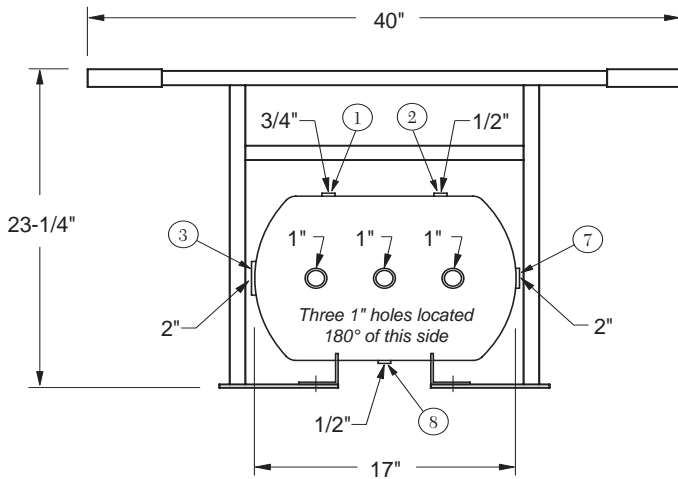
- built to ASME Code, National Board registered
- conforms to OSHA standards 1910.169 and 1926.306
- 7 gallon capacity
- painted safety orange
- all openings are female NPT thread
- working pressure: **200 PSI**



1217AR-4AK



1217AR-4FR



Dixon™ 1217AR-4AK air receiver manifold assembly with Air King™ outlet ports includes the following components:

Part # / Locations	Qty	Description	Price/E	Price
<b>1217AR-4</b>	1	ASME compressed air receiver	---	<b>\$1230.00</b>
<b>1217FRAME</b>	1	protective frame	---	<b>400.00</b>
Location 1	1	HB2F6M 3/4" male x 1/4" female hex bushing	<b>\$7.85</b>	<b>7.85</b>
	1	GL345 0-300 PSI gauge	<b>18.95</b>	<b>18.95</b>
Location 2	1	HB2F4M 1/2" male x 1/4" female hex bushing	<b>4.27</b>	<b>4.27</b>
	1	SV200 safety pop-off valve	<b>35.75</b>	<b>35.75</b>
Location 3	1	GM28 2" male spud	<b>54.00</b>	<b>54.00</b>
	1	B27SC wing nut cap	<b>82.25</b>	<b>82.25</b>
Locations 4, 5, 6, 9, 10, 11	6	HB1075G 1" male x 3/4" female bushings	<b>6.75</b>	<b>40.50</b>
	6	BCN75 3/4" brass hex nipples	<b>7.50</b>	<b>45.00</b>
	6	BBLV75 ball valves	<b>70.40</b>	<b>422.40</b>
	6	SCVS6 safety shut-off valves	<b>99.76</b>	<b>598.56</b>
	6	AM7 Air King™ universal couplings	<b>8.60</b>	<b>51.60</b>
	4	SE45100 45° street elbow (1 each in locations 4, 6, 9 and 11 only)	<b>9.55</b>	<b>38.20</b>
Location 7	1	HB2075 2" male x 3/4" female bushing	<b>8.75</b>	<b>8.75</b>
	1	BCN75 3/4" brass hex nipples	<b>7.50</b>	<b>7.50</b>
	1	BBLV75 ball valve	<b>70.40</b>	<b>70.40</b>
	1	SCVS6 safety shut-off valve	<b>99.76</b>	<b>99.76</b>
	1	AM7 Air King™ universal coupling	<b>8.60</b>	<b>8.60</b>
Location 8	1	HB2F4M 1/2" male x 1/4" female hex bushing	<b>4.27</b>	<b>4.27</b>
	1	D04 1/4" drain cock	<b>5.05</b>	<b>5.05</b>
	---	Labor cost for assembly of complete unit	---	<b>320.00</b>
<b>1217AR-4AK</b>	1	7 gallon ASME compressed air receiver manifold complete assembly with Air King™	---	<b>3535.25</b>
<b>Tank and Frame only</b>				
<b>1217AR-4FR</b>	1	7 gallon ASME compressed air receiver with frame only	---	<b>\$1610.00</b>