

Butterfly Valves

Clamp End **Butterfly Valve with Trigger Handle - [C]**

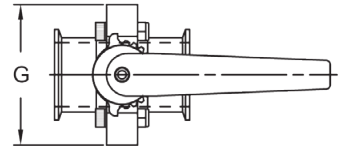
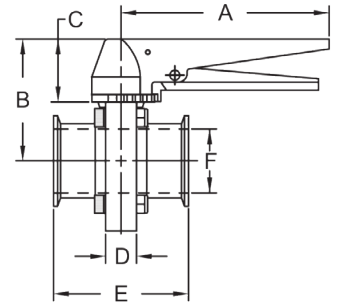
Features:

- lockout / tagout handle
- Handle is not assembled when shipped. To order with handle assembled on the valve please request assembly in the special instructions of your order.

Size	316L Stainless Steel with Silicone seats		316L Stainless Steel with FKM seats		316L Stainless Steel with EPDM seats	
	Part #	Price/E	Part #	Price/E	Part #	Price/E
½"	B5101S050CC-C	\$332.55	B5101V050CC-C	\$359.70	B5101E050CC-C	\$326.45
¾"	B5101S075CC-C	332.55	B5101V075CC-C	359.70	B5101E075CC-C	326.45
1"	B5101S100CC-C	312.90	B5101V100CC-C	340.90	B5101E100CC-C	306.80
1½"	B5101S150CC-C	304.35	B5101V150CC-C	347.95	B5101E150CC-C	337.20
2"	B5101S200CC-C	368.60	B5101V200CC-C	430.85	B5101E200CC-C	358.00
2½"	B5101S250CC-C	460.60	B5101V250CC-C	589.75	B5101E250CC-C	437.10
3"	B5101S300CC-C	615.30	B5101V300CC-C	817.85	B5101E300CC-C	596.90
4"	B5101S400CC-C	948.00	B5101V400CC-C	1408.75	B5101E400CC-C	918.30



Size	Dimensions							Break Torque (in. lbs.) silicone	Break Torque (in. lbs.) FKM	Break Torque (in. lbs.) EPDM	PSI @ 68°F
	A	B	C	D	E	F	G				
½"	6.6"	3.0"	1.7"	0.9"	3.5"	.37"	3.1"	20	70	75	140
¾"	6.6"	3.0"	1.7"	0.9"	3.5"	.62"	3.1"	20	70	75	140
1"	6.6"	3.0"	1.7"	0.9"	3.5"	0.9"	3.1"	20	70	75	140
1½"	6.6"	3.0"	1.7"	0.9"	3.5"	1.4"	3.1"	40	125	130	140
2"	6.6"	3.5"	1.7"	0.9"	3.8"	1.9"	3.9"	55	175	165	140
2½"	6.6"	3.7"	1.7"	0.9"	3.8"	2.4"	4.6"	70	220	210	110
3"	6.6"	3.9"	1.7"	1.2"	4.1"	2.9"	5.2"	165	310	350	110
4"	6.6"	4.8"	1.7"	1.2"	4.8"	3.8"	6.7"	350	450	540	85



Repair Kit for **Butterfly Valves**

Features:

Repair kit contains:

- (1) seat
- (2) bushings

for valves located on pages 524-525

Valve Size	Black EPDM		Red Silicone		Brown FKM	
	Part #	Price/E	Part #	Price/E	Part #	Price/E
½" - 1"	B5101-RKE100	\$27.15	B5101-RKS100	\$34.75	B5101-RKV100	\$74.95
1½"	B5101-RKE150	29.35	B5101-RKS150	40.30	B5101-RKV150	103.75
2"	B5101-RKE200	35.50	B5101-RKS200	44.20	B5101-RKV200	136.05
2½"	B5101-RKE250	39.85	B5101-RKS250	49.40	B5101-RKV250	254.75
3"	B5101-RKE300	64.05	B5101-RKS300	78.10	B5101-RKV300	448.25
4"	B5101-RKE400	97.45	B5101-RKS400	120.55	B5101-RKV400	823.45
6"	B5101-RKE600	154.80	B5101-RKS600	296.95	---	---
8"	B5101-RKE800	316.80	---	---	---	---

Dixon™'s commitment to excellence and continuous research and development for improving product quality may warrant periodic changes in design and specification. We reserve the right to modify product design without prior notification and without incurring any liability to provide these modifications to products previously purchased.