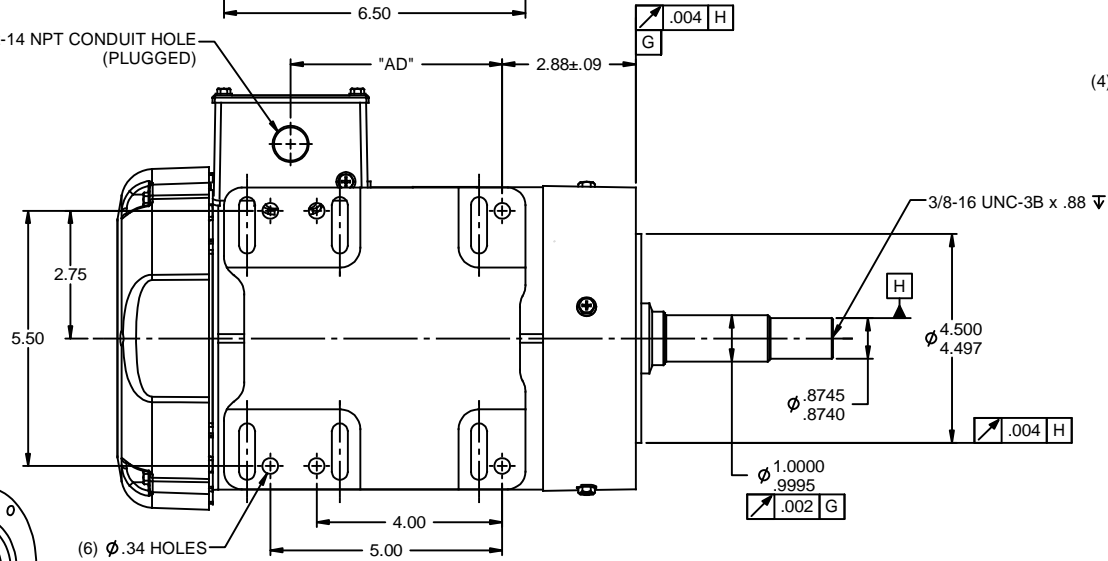


(1) 1/2-14 NPT CONDUIT HOLE (PLUGGED)

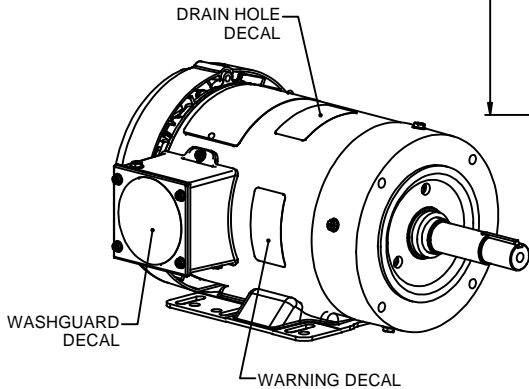


3/8-16 UNC-2B x .56 DEEP  
(4) REQ'D. ON A Ø5.875 B.C.

### WASHGUARD MOTOR

#### SPECIAL FEATURES:

1. SHAFT SEALS & V-RING.
2. PLUGGED DRAIN HOLES IN ENDBELLS & CONDUIT BOX.
3. BUNA-N GASKETS THROUGHOUT.
4. STAINLESS STEEL SHAFT, HARDWARE & NAMEPLATE.



DASH NO.	"C"	"AD"
700	15.43	4.56
750	15.93	5.06
800	16.43	5.56

TOLERANCES UNLESS SPECIFIED		LEESON	ELECTRIC MOTORS GEARMOTORS AND DRIVES	DRAWN PG 02/10/11
DEC	INCHES			
X	±.1			APPR
XX	±.03		TITLE OUTLINE - 140JM FRAME	SCALE 3:8
XXX	±.005		TEFC - RIGID "C"	REF 028886
XXXX	±.0005		MATL WASHGUARD	FMF G121579.00
NO	REVISION	BY & DATE	CHK ANG ±1/2"	FINISH
	THIRD ANGLE PROJECTION		RFP	PREV
			NETWORK FILE NAME 607-0013	SIZE B
				DRAWING NO 607-0013
				PAGE OF
				REV