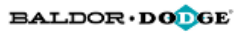




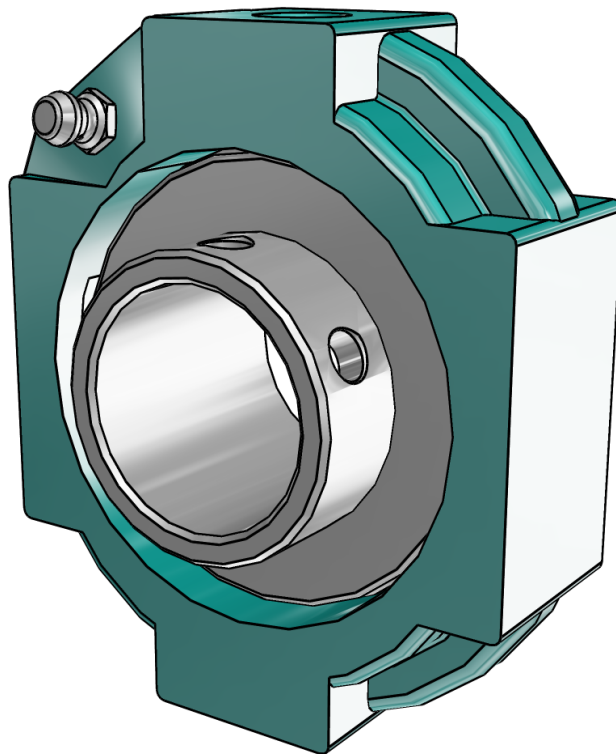
123176

SC Hanger Bearings -(Normal Duty)



3D View

To activate the interactive 3D view, you must trust this document (see hint on the top) in Adobe Acrobat and click on the question mark.

**Zoom**

Moves you toward or away from objects in the scene when you drag vertically. You can also zoom with the hand tool by holding down Shift as you drag.

**Pan**

Moves the model vertically and horizontally only. You can also pan with the hand tool: Ctrl-drag.

**Rotate**

Turns 3D objects around relative to the screen. How the objects move depends on the starting view, where you start dragging and the direction in which you drag.

3D PDF DATASHEET



 eCATALOG solutions



 BIM catalogs.net



 PART solutions



Create Your Individual 3D PDF Datasheet 

Learn How to Create Your Mechanical Product Catalog 

Learn How to Create Your BIM Product Catalog 

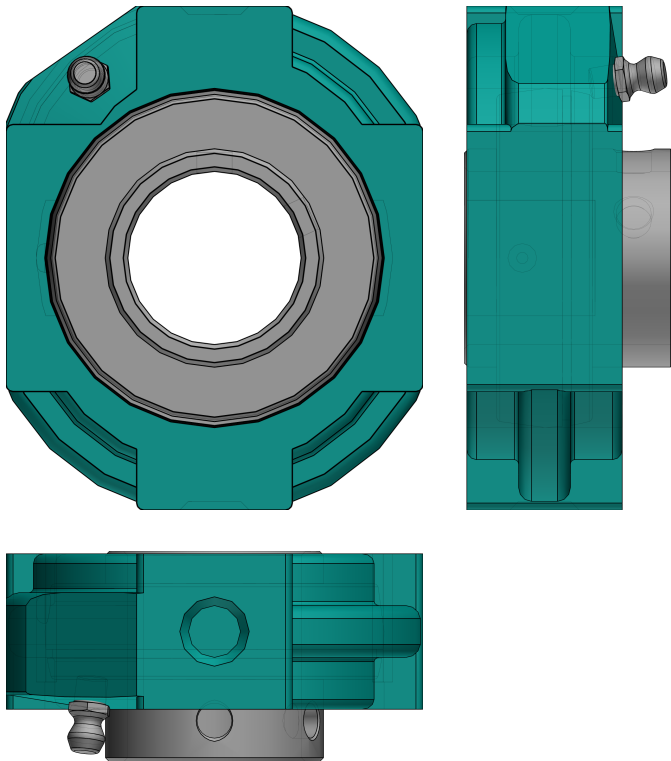
Reduce Your Costs in Engineering and Purchasing 

123176

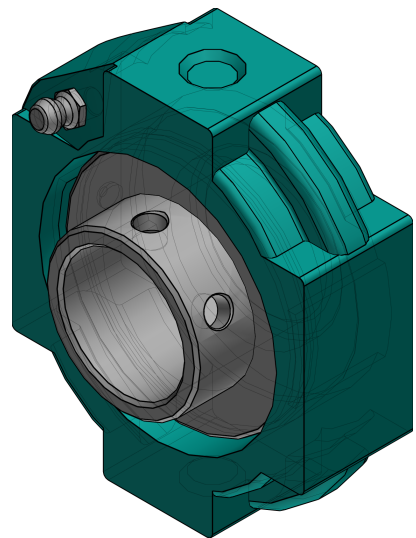
SC Hanger Bearings -(Normal Duty)

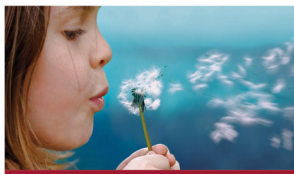


2D Derivation



ISO View



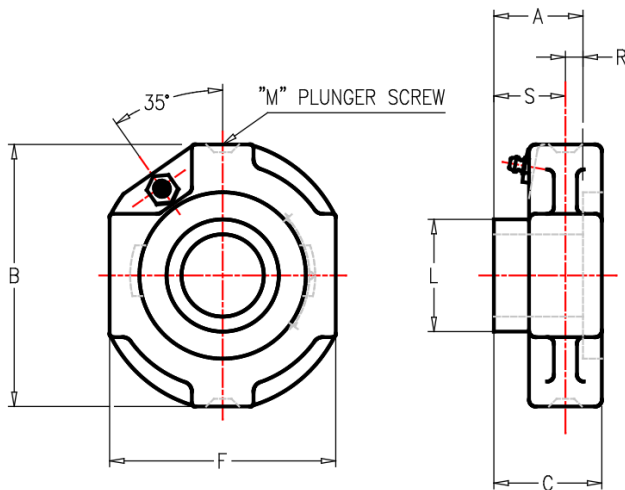


123176

SC Hanger Bearings -(Normal Duty)

BALDOR • DODGE

Technical Drawings



NOTES:

*GREASE USED:
EXXON UNIREX N2*

*SEAL TYPE:
DUAL GUARD LIP SEAL
W/ RUBBERIZED FLINGER*

3D PDF DATASHEET



 eCATALOG solutions



 BIM catalogs.net



 PART solutions



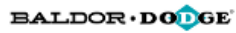
Create Your Individual 3D PDF Datasheet 

Learn How to Create Your Mechanical Product Catalog 

Learn How to Create Your BIM Product Catalog 

Reduce Your Costs in Engineering and Purchasing 

123176 SC Hanger Bearings -(Normal Duty)



Technical Data

SERIES (Series)	206
SS (Shaft Size / INCH)	1-1/4
PN (Part No.)	123176
DESCRIPTION (Description)	HNG-SC-104S
W (Weight / lbs)	1.7
A (A / INCH)	1.52
B (B / INCH)	3.63
C (C / INCH)	1.50
F (F / INCH)	3.00
L (L / INCH)	1.57
M (M / INCH)	1/2
R (R / INCH)	0.58
S (S / INCH)	0.94

3D PDF DATASHEET



 eCATALOG solutions



 BIM catalogs.net



 PART solutions



Create Your Individual 3D PDF Datasheet 

Learn How to Create Your Mechanical Product Catalog 

Learn How to Create Your BIM Product Catalog 

Reduce Your Costs in Engineering and Purchasing 

123176

SC Hanger Bearings -(Normal Duty)



Bill of Materials

N°	Name	Description	Amount
1	assembly	123176	1
1.1	HOUSING	123176	1
1.2	GF405020	405020c	1
1.3	INSERT	123469	1