



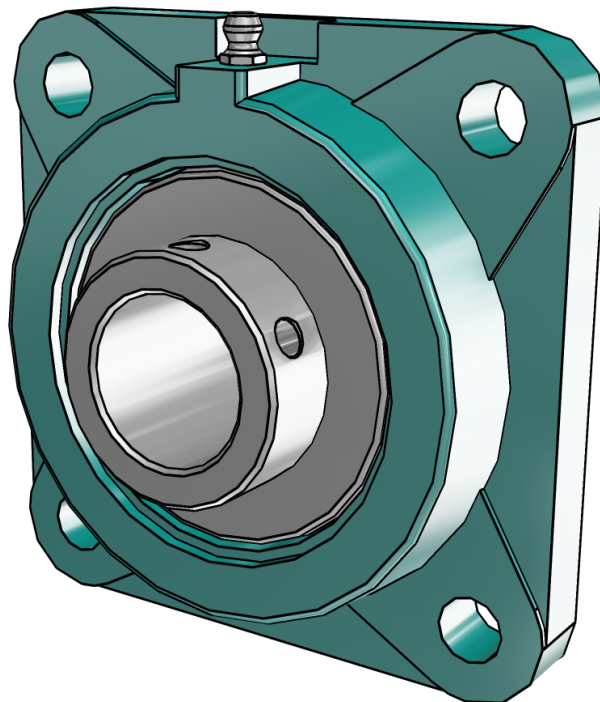
## 123628

## VSC Intermediate Duty 4-Bolt Flange Bearings

BALDOR • DODGE

## 3D View

To activate the interactive 3D view, you must trust this document (see hint on the top) in Adobe Acrobat and click on the question mark.


**Zoom**

Moves you toward or away from objects in the scene when you drag vertically. You can also zoom with the hand tool by holding down Shift as you drag.

**Pan**

Moves the model vertically and horizontally only. You can also pan with the hand tool: Ctrl-drag.

**Rotate**

Turns 3D objects around relative to the screen. How the objects move depends on the starting view, where you start dragging and the direction in which you drag.

# 3D PDF DATASHEET



eCATALOGsolutions



BIM catalogs.net



PARTsolutions



Create Your Individual 3D PDF Datasheet



Learn How to Create Your Mechanical Product Catalog



Learn How to Create Your BIM Product Catalog



Reduce Your Costs in Engineering and Purchasing

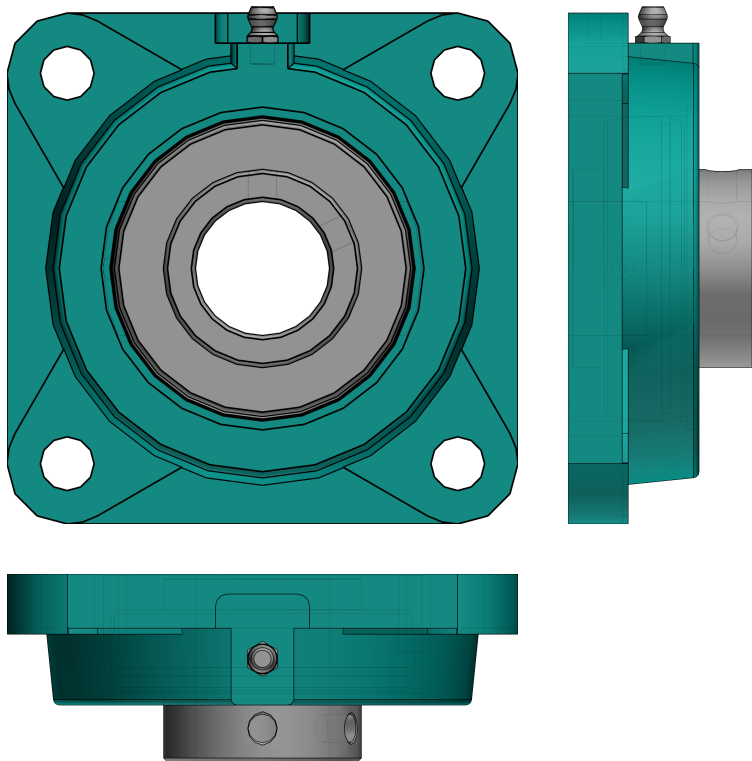


## 123628

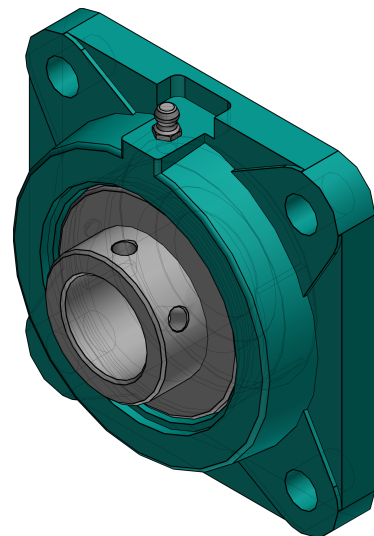
### VSC Intermediate Duty 4-Bolt Flange Bearings

BALDOR • DODGE

#### 2D Derivation



#### ISO View



3D PDF DATASHEET



eCATALOGsolutions



BIM catalogs.net



PARTsolutions



Create Your Individual 3D PDF Datasheet



Learn How to Create Your Mechanical Product Catalog



Learn How to Create Your BIM Product Catalog



Reduce Your Costs in Engineering and Purchasing

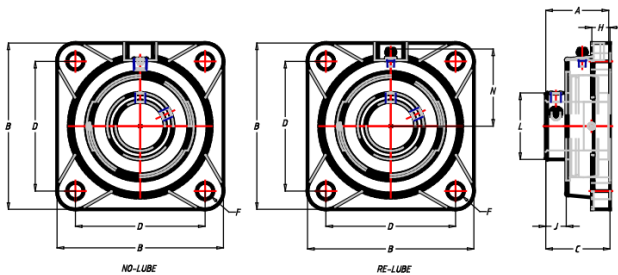


123628

VSC Intermediate Duty 4-Bolt Flange Bearings

BALDOR • DODGE

## Technical Drawings



NOTES:

GREASE USED:  
EXXON UNIREX N2

SEAL TYPE:  
PROGUARD LIP SEAL

# 3D PDF DATASHEET



 eCATALOG solutions



 BIM catalogs.net



 PART solutions



Create Your Individual 3D PDF Datasheet 

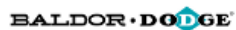
Learn How to Create Your Mechanical Product Catalog 

Learn How to Create Your BIM Product Catalog 

Reduce Your Costs in Engineering and Purchasing 

## 123628

### VSC Intermediate Duty 4-Bolt Flange Bearings



### Technical Data

RS (Series)	207
SS (Shaft Size / INCH)	1-1/4
PN (Part No.)	123628
DESCRIPTION (Description)	F4B-VSC-104
LF (Lubrication Feature)	RE-LUBE
WEIGHT (Weight / lbs)	3.50
A (A / INCH)	1.71
B (B / INCH)	4.75
C (C / INCH)	1.75
D (D / INCH)	3.63
F (F / INCH)	1/2
H (H / INCH)	0.56
J (J / INCH)	0.53
L (L / INCH)	1.84
N (N / INCH)	2.44

## 3D PDF DATASHEET



 eCATALOG solutions



 BIM catalogs.net



 PART solutions



Create Your Individual 3D PDF Datasheet 

Learn How to Create Your Mechanical Product Catalog 

Learn How to Create Your BIM Product Catalog 

Reduce Your Costs in Engineering and Purchasing 

# 123628

## VSC Intermediate Duty 4-Bolt Flange Bearings



### Bill of Materials

N°	Name	Description	Amount
1	assembly	123628	1
1.1	f4b_flange_bodi	123628vsc	1
1.2	vsc_ins_inch	389928	1
1.3	405020c	405020c	1