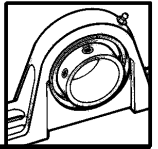
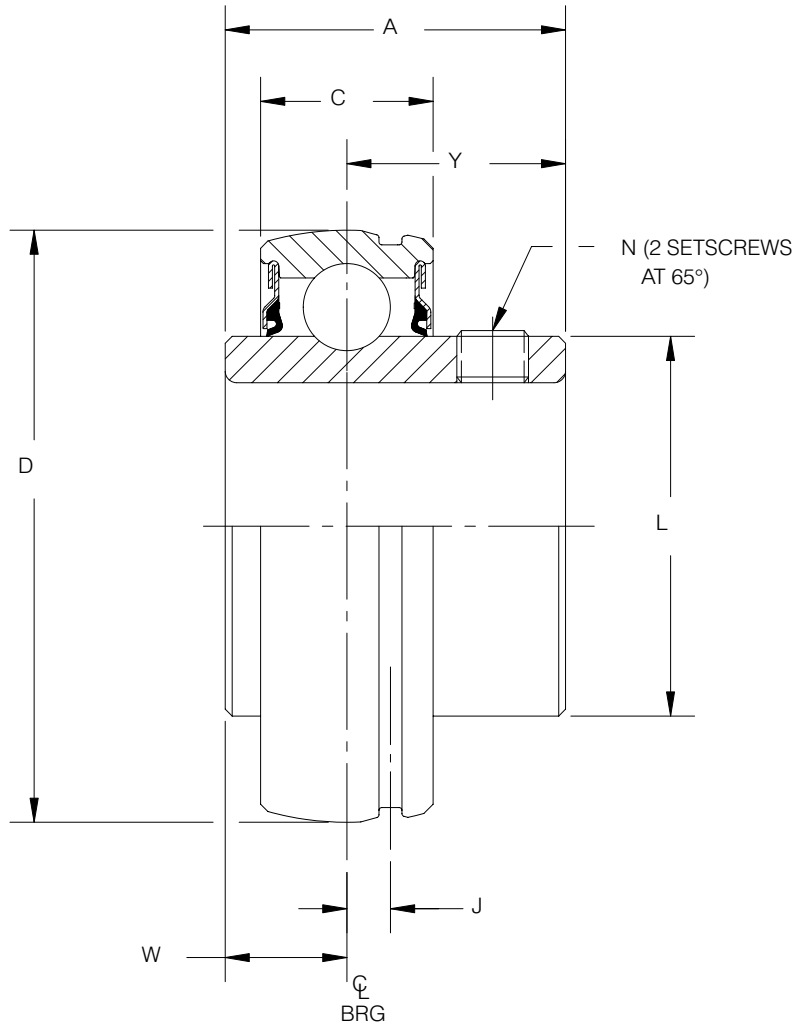


SELECTION/DIMENSIONS

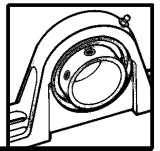


Setscrew Ball Bearings - Metric

SCM Medium Duty Metric Bearing Inserts



FEATURE/BENEFITS SETSCREW BALL BEARINGS PAGE 2	HOW TO ORDER/ NOMENCLATURE PAGE 4	SELECTION PAGE 5	DIMENSIONS SCM INCH INSERTS PAGE 52
--	---	---------------------	---



SELECTION/DIMENSIONS

Setscrew Ball Bearings - Metric

SCM Medium Duty Metric Bearing Inserts

Series	Shaft Size, mm	Part Number	Description	Weight kg	A	C	D
206	25	125824	INS-SCM-25M	.32	35.3	18.0	62.0
207	30	125826	INS-SCM-30M	.53	38.9	19.0	72.0
208	35	125828	INS-SCM-35M	.60	42.7	22.0	80.0
209	40	125830	INS-SCM-40M	.71	43.5	22.0	85.0
210	45	125832	INS-SCM-45M	.76	44.3	22.0	90
211	50	125834	INS-SCM-50M	1.03	46.9	24.0	100.0
212	55	125836	INS-SCM-55M	1.27	50.3	26.0	110.0
214	65	125838	INS-SCM-65M	1.86	56.8	28.0	125.0
215	70	125840	INS-SCM-70M	1.98	58.1	29.0	130.0
216	75	125842	INS-SCM-75M	2.51	59.5	30.0	140.0
218	85	125844	INS-SCM-85M	3.33	63.0	34.0	160.0

Series	Shaft Size, mm	J	L	N	W	Y
206	25	4.8	40.1	M8 x 1.25	12.3	23.0
207	30	5.1	46.8	M8 x 1.25	12.8	26.2
208	35	5.7	52.0	M8 x 1.25	15.0	27.8
209	40	6.3	56.4	M8 x 1.25	15.0	28.6
210	45	6.3	61.9	M10 x 1.5	15.0	29.4
211	50	8.8	69.1	M10 x 1.5	16.0	30.9
212	55	6.4	75.4	M10 x 1.5	17.0	33.3
214	65	6.7	84.1	M10 x 1.5	20.3	36.5
215	70	6.7	92.1	M10 x 1.5	20.9	37.3
216	75	7.2	96.8	M10 x 1.5	21.4	38.1
218	85	7.6	110.7	M10 x 1.5	23.4	39.7

MODIFICATIONS PAGE 96	RELATED PRODUCTS PAGE 97		
--------------------------	-----------------------------	--	--