

## 3D PDF DATASHEET



eCATALOG solutions



BIM catalogs.net



PART solutions



Create Your Individual 3D PDF Datasheet



Learn How to Create Your Mechanical Product Catalog



Learn How to Create Your BIM Product Catalog



Reduce Your Costs in Engineering and Purchasing



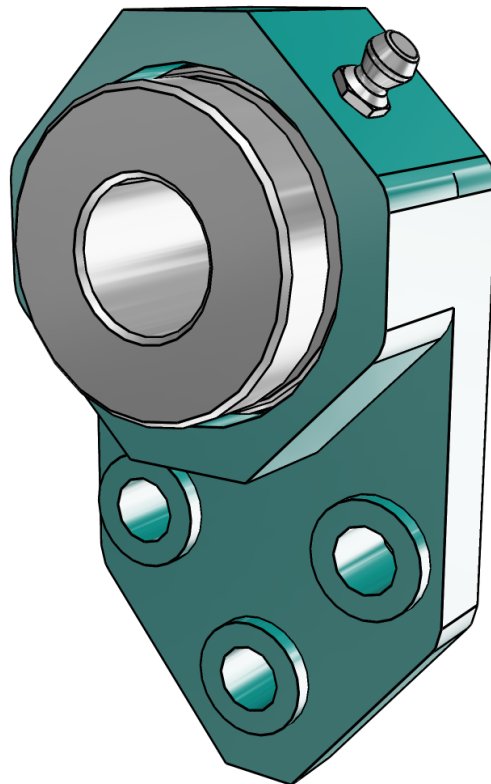
# 127648

## DLEZ Normal Duty Polymer Housed Flange Brackets

BALDOR • DODGE

### 3D View

To activate the interactive 3D view, you must trust this document (see hint on the top) in Adobe Acrobat and click on the question mark.



#### Zoom

Moves you toward or away from objects in the scene when you drag vertically. You can also zoom with the hand tool by holding down Shift as you drag.

#### Pan

Moves the model vertically and horizontally only. You can also pan with the hand tool: Ctrl-drag.

#### Rotate

Turns 3D objects around relative to the screen. How the objects move depends on the starting view, where you start dragging and the direction in which you drag.

# 3D PDF DATASHEET



 eCATALOG solutions



 BIM catalogs.net



 PART solutions



Create Your Individual 3D PDF Datasheet 

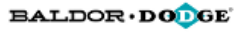
Learn How to Create Your Mechanical Product Catalog 

Learn How to Create Your BIM Product Catalog 

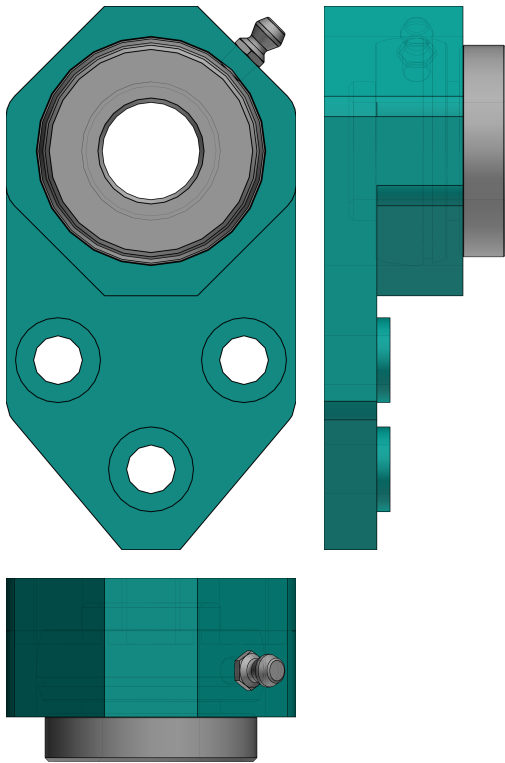
Reduce Your Costs in Engineering and Purchasing 

## 127648

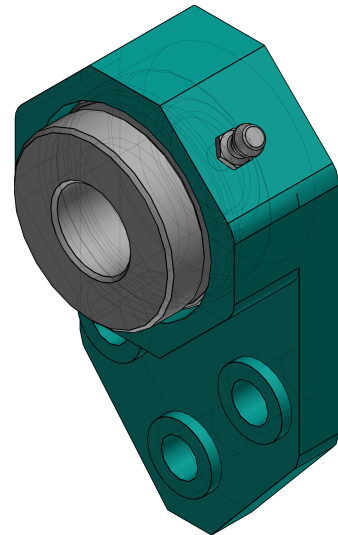
### DLEZ Normal Duty Polymer Housed Flange Brackets



#### 2D Derivation



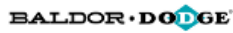
#### ISO View



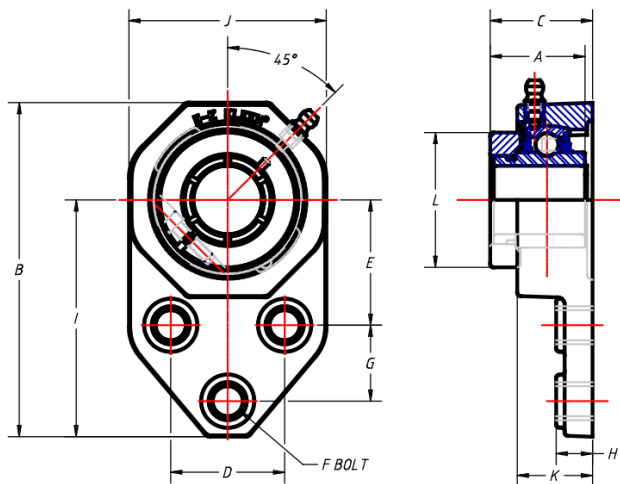


127648

DLEZ Normal Duty Polymer Housed Flange Brackets



## Technical Drawings



NOTES:

GREASE USED:  
EXXON UNIREX N2

SEAL TYPE:  
DUAL GUARD LIP SEAL  
W/ RUBBERIZED FLINGER

## 3D PDF DATASHEET



 eCATALOG solutions



 BIM catalogs.net



 PART solutions



Create Your Individual 3D PDF Datasheet ▶

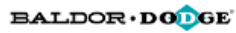
Learn How to Create Your Mechanical Product Catalog ▶

Learn How to Create Your BIM Product Catalog ▶

Reduce Your Costs in Engineering and Purchasing ▶

# 127648

## DLEZ Normal Duty Polymer Housed Flange Brackets



### Technical Data

SERIES (Series)	204
SS (Shaft Size / mm)	20
PN (Part Number)	127648
DESCRIPTION (DESCRIPTION)	FB-DLEZ-20M-PCR
W (Weight / kg)	0.35
A (A / mm)	32.5
B (B / mm)	111.5
C (C / mm)	37.6
D (D / mm)	38.1
E (E / mm)	42.9
F (Bolt Diameter / mm)	M10
G (G / mm)	22.4
H (H / mm)	13.5
I (I / mm)	81.8
J (J / mm)	59.4
K (K / mm)	28.4
L (L / mm)	43.4

## 3D PDF DATASHEET



 eCATALOG solutions



 BIM catalogs.net



 PART solutions



Create Your Individual 3D PDF Datasheet ▶

Learn How to Create Your Mechanical Product Catalog ▶

Learn How to Create Your BIM Product Catalog ▶

Reduce Your Costs in Engineering and Purchasing ▶

# 127648

## DLEZ Normal Duty Polymer Housed Flange Brackets



### Bill of Materials

N°	Name	Description	Amount
1	assembly	127648	1
1.1	f3b_pcr_flange_body	127648	1
1.2	dl_bearings_ins_m	126629	1
1.3	405020c_m	405020c	1