

3D PDF DATASHEET



eCATALOG solutions



BIM catalogs.net



PARTsolutions



Create Your Individual 3D PDF Datasheet



Learn How to Create Your Mechanical Product Catalog



Learn How to Create Your BIM Product Catalog



Reduce Your Costs in Engineering and Purchasing



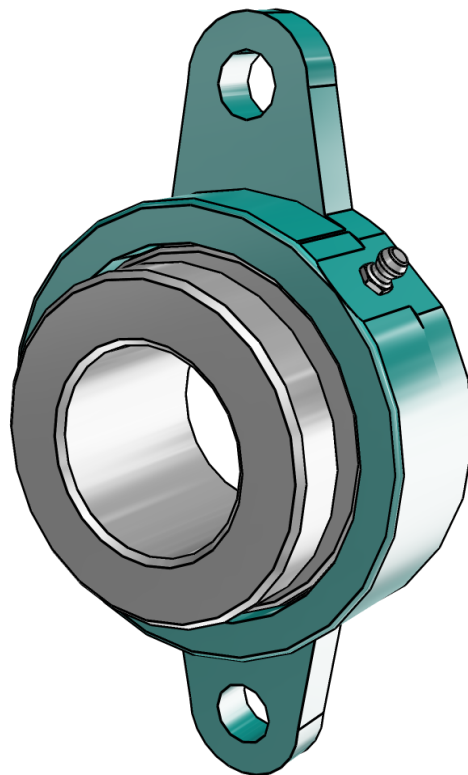
127730

DLEZ Normal Duty Stainless Steel 2 Bolt Flange Bearings

BALDOR • DODGE

3D View

To activate the interactive 3D view, you must trust this document (see hint on the top) in Adobe Acrobat and click on the question mark.



Zoom

Moves you toward or away from objects in the scene when you drag vertically. You can also zoom with the hand tool by holding down Shift as you drag.

Pan

Moves the model vertically and horizontally only. You can also pan with the hand tool: Ctrl-drag.

Rotate

Turns 3D objects around relative to the screen. How the objects move depends on the starting view, where you start dragging and the direction in which you drag.

3D PDF DATASHEET



eCATALOGsolutions



BIM catalogs.net



PARTsolutions



Create Your Individual 3D PDF Datasheet



Learn How to Create Your Mechanical Product Catalog



Learn How to Create Your BIM Product Catalog



Reduce Your Costs in Engineering and Purchasing

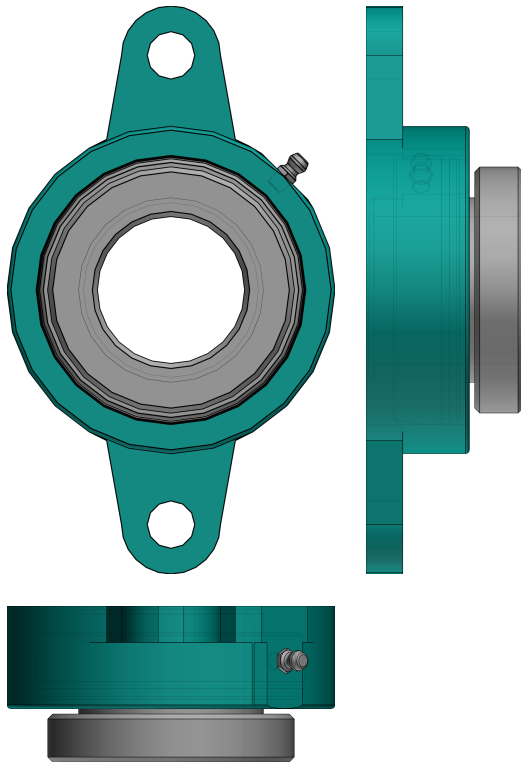


127730

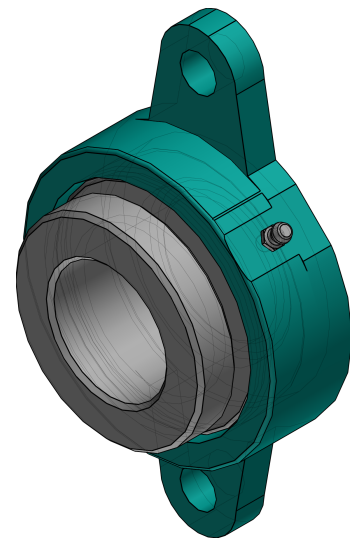
DLEZ Normal Duty Stainless Steel 2 Bolt Flange Bearings

BALDOR • DODGE

2D Derivation



ISO View





Create Your Individual 3D PDF Datasheet



Learn How to Create Your Mechanical Product Catalog



Learn How to Create Your BIM Product Catalog

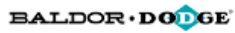


Reduce Your Costs in Engineering and Purchasing

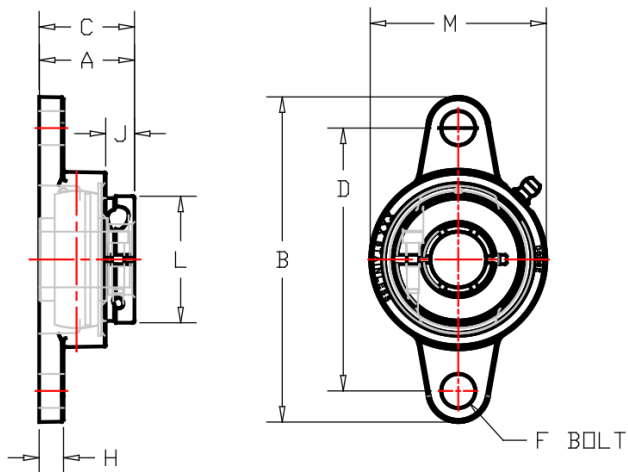


127730

DLEZ Normal Duty Stainless Steel 2 Bolt Flange Bearings



Technical Drawings



NOTES:

GREASE USED:
EXXON UNIREX N2

SEAL TYPE:
DUAL GUARD LIP SEAL
W/ RUBBERIZED FLINGER

3D PDF DATASHEET



 eCATALOG solutions



 BIM catalogs.net



 PART solutions



Create Your Individual 3D PDF Datasheet ▶

Learn How to Create Your Mechanical Product Catalog ▶

Learn How to Create Your BIM Product Catalog ▶

Reduce Your Costs in Engineering and Purchasing ▶

127730

DLEZ Normal Duty Stainless Steel 2 Bolt Flange Bearings

BALDOR • DODGE

Technical Data

SERIES (Series)	210
SS (Shaft Size / INCH)	1-15/16
PN (Part Number)	127730
DESCRIPTION (Description)	F2B-DLEZ-115-SHCR
W (Weight / lbs)	4.85
A (A / INCH)	2.01
B (B / INCH)	7.48
C (C / INCH)	2.05
D (D / INCH)	6.18
F (Bolt Diameter / INCH)	5/8
H (H / INCH)	0.48
J (J / INCH)	0.70
L (L / INCH)	3.24
M (M / INCH)	4.31
CAPS (Capacity Static / lbs)	4450
CAPD (Capacity Dynamic / lbs)	7891

3D PDF DATASHEET



 eCATALOG solutions




 BIM catalogs.net




 PART solutions



Create Your Individual 3D PDF Datasheet 

Learn How to Create Your Mechanical Product Catalog 

Learn How to Create Your BIM Product Catalog 

Reduce Your Costs in Engineering and Purchasing 

127730

DLEZ Normal Duty Stainless Steel 2 Bolt Flange Bearings



Bill of Materials

	Name	Description	Amount
1	assembly	127730	1
1.1	f2b_ez_shcr_bodi	127730	1
1.2	dl_bearing_ins_i	128659	1
1.3	405020c	405020c	1