

3D PDF DATASHEET



eCATALOG solutions



BIM catalogs.net



PART solutions



Create Your Individual 3D PDF Datasheet



Learn How to Create Your Mechanical Product Catalog



Learn How to Create Your BIM Product Catalog



Reduce Your Costs in Engineering and Purchasing



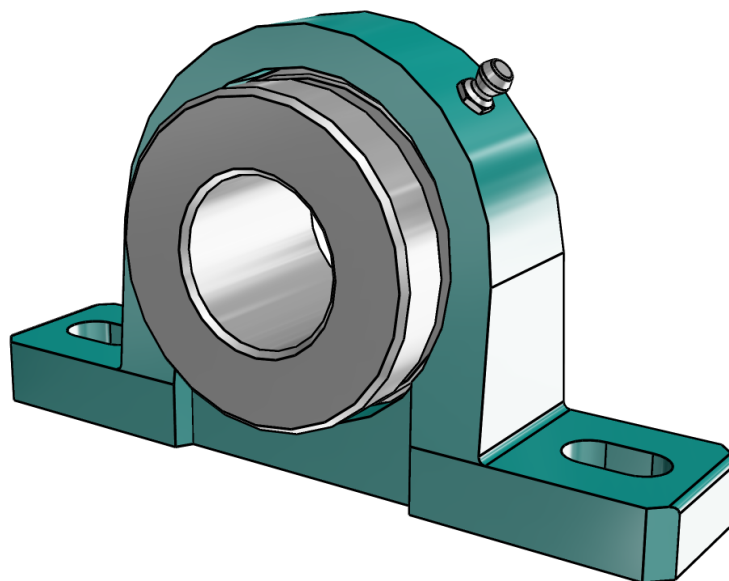
127742

DLEZ Normal Duty Stainless Steel Housed Pillow Blocks

BALDOR • DODGE

3D View

To activate the interactive 3D view, you must trust this document (see hint on the top) in Adobe Acrobat and click on the question mark.



Zoom

Moves you toward or away from objects in the scene when you drag vertically. You can also zoom with the hand tool by holding down Shift as you drag.

Pan

Moves the model vertically and horizontally only. You can also pan with the hand tool: Ctrl-drag.

Rotate

Turns 3D objects around relative to the screen. How the objects move depends on the starting view, where you start dragging and the direction in which you drag.

3D PDF DATASHEET



eCATALOGsolutions



BIM catalogs.net



PARTsolutions



Create Your Individual 3D PDF Datasheet



Learn How to Create Your Mechanical Product Catalog



Learn How to Create Your BIM Product Catalog



Reduce Your Costs in Engineering and Purchasing

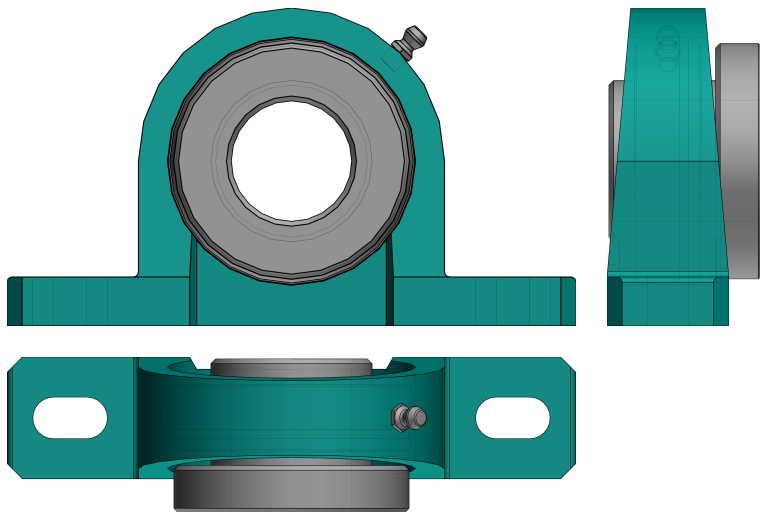


127742

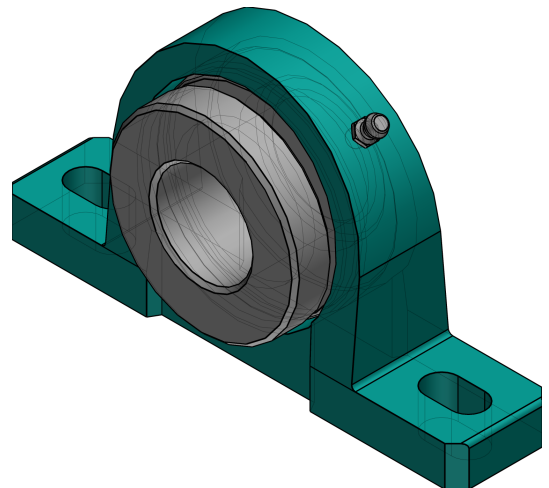
DLEZ Normal Duty Stainless Steel Housed Pillow Blocks

BALDOR • DODGE

2D Derivation



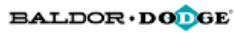
ISO View



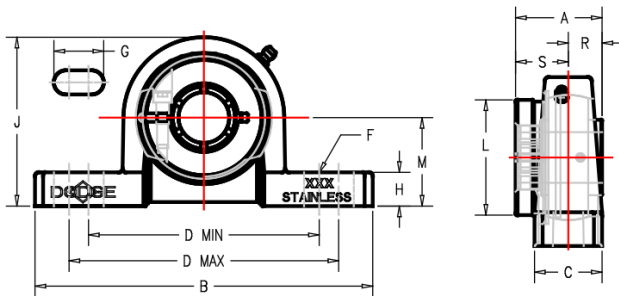


127742

DLEZ Normal Duty Stainless Steel Housed Pillow Blocks



Technical Drawings



NOTES:

*GREASE USED:
EXXON UNIREX N2*

*SEAL TYPE:
DUAL GUARD LIP SEAL
W/ RUBBERIZED FLINGER*

3D PDF DATASHEET



 eCATALOG solutions



 BIM catalogs.net



 PART solutions



Create Your Individual 3D PDF Datasheet 

Learn How to Create Your Mechanical Product Catalog 

Learn How to Create Your BIM Product Catalog 

Reduce Your Costs in Engineering and Purchasing 

127742

DLEZ Normal Duty Stainless Steel Housed Pillow Blocks

BALDOR • DODGE

Technical Data

SERIES (Series)	207
SS (Shaft Size / mm)	35
PN (Part No.)	127742
DESCRIPTION (Description)	P2B-DLEZ-35M-SHCR
W (Weight / kg)	1.75
A (A / mm)	44.5
B (B / mm)	165.1
C (C / mm)	35.1
DMIN (DMIN / mm)	118.9
DMAX (DMAX / mm)	138.2
F (Bolt Diameter / mm)	M12
G (G / mm)	23.9
H (H / mm)	14.2
J (J / mm)	92.2
L (L / mm)	68.3
M (M / mm)	47.8
R (R / mm)	17
S (S / mm)	27.4

3D PDF DATASHEET



 eCATALOG solutions



 BIM catalogs.net



 PART solutions



Create Your Individual 3D PDF Datasheet 

Learn How to Create Your Mechanical Product Catalog 

Learn How to Create Your BIM Product Catalog 

Reduce Your Costs in Engineering and Purchasing 

127742

DLEZ Normal Duty Stainless Steel Housed Pillow Blocks



Bill of Materials

N°	Name	Description	Amount
1	assembly	127742	1
1.1	p2b_ez_shcr_body	127742	1
1.2	405020c_m	405020c	1
1.3	dl_bearings_ins_m	126632	1