



D-LOK Ball Bearings

LUBRICANTS

DODGE ball bearings are factory lubricated with a lithium complex based lubricant. For applications where extreme ambient temperatures or speeds are anticipated or environmental considerations require a different lubricant, DODGE has a variety of lubricants available. Special lubricant options usually require set-up charges and premiums.

SEALS

The PROGUARD PLUS seal is a highly effective positive contact land riding seal with flingers pressed on to each side of the inner ring offering added protection from high pressure wash down or extreme contamination. For high speeds or where seal drag would be an impediment, a labyrinth seal is available.

HIGH TEMPERATURE

DODGE high temperature bearings are designed to operate in temperatures from 225°F (108°C) to 400°F (205°C). The bearings have adjusted internal clearances, labyrinth seals, retainers, and lubricants to meet the temperature needs of the application. To insure proper replacement, the bearing is identified by a six digit part number etched on a stainless steel nameplate riveted to the housing. The part number identifies the specific feature of the bearing. High temperature bearings are factory assembled to order and are available at extra cost. Consult Dodge Engineering for application assistance at (864) 284-5700 or fax (864) 281-2317.

AIR HANDLING

Industrial fans and blowers generally operate at high speeds with bearing requirements of long life and quiet operation. Dodge stocks DL and DLM air handling pillow blocks that are specifically designed to meet the requirements of the Air Handling Industry. Other sizes and housing configurations can be supplied on a made/ assembled to order basis. These bearings are 100% inspected for quiet operation and are recommended for fan and blower operations.

COATINGS

For extra corrosion resistance, a variety of housings are available. Including stainless steel or polymer housed. These conform to U.S.D.A. and F.D.A. requirements. DL and DLM inserts can be supplied with a corrosion resistant finish to the inner and outer rings, stainless steel balls and set-screws, nickel plated flingers as well as F.D.A. lubricant.

OTHER MODIFICATIONS

For applications requiring modifications not listed, we encourage you to contact our Customer Order Engineering Department at (864) 284-5700 or fax (864) 281-2317.

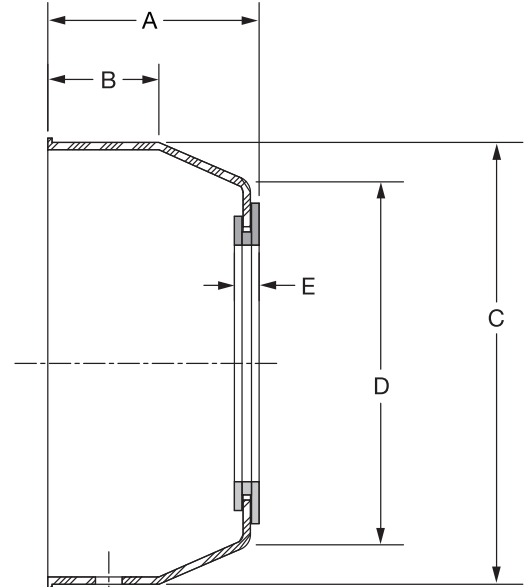
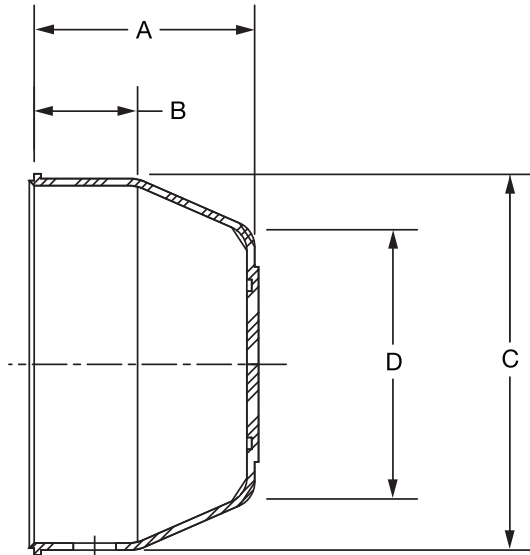
DODGE Ball Bearing End Covers*

- Fits all styles of DODGE cast iron housed ball bearings: Pillow Blocks, 2 and 4 Bolt Flanges, and Take-Up bearings
- Injected molded, impact resistant, OSHA safety yellow end covers meet requirements for exposed rotating shafts
- Stainless steel "C" Washer for gripping power
- No modification or machining of existing housings required
- Concentric knockout grooves on inside of end cover for thru-shaft
- DODGE six digit part number and description embossed inside
- Operating temperature to 250°F
- For non relubricable/sealed for life applications (-NL), part number 430020 hex head plug is available

FEATURES/BENEFITS PAGE B6-3	HOW TO ORDER/NOMENCLATURE PAGE B6-5	SELECTION PAGE B6-6	SELECTION/DIMENSIONS PAGE B6-10
--------------------------------	--	------------------------	------------------------------------



D-LOK Ball Bearings END CLOSURES



Series	Closed End Closure	
	Part Number	Description
204	128280	EC-204-Y
205	128281	EC-205-Y
206	128282	EC-206-Y
207	128283	EC-207-Y
208	128284	EC-208-Y
209	128285	EC-209-Y
210	128286	EC-210-Y
211	128277	EC-211-Y
212	128278	EC-212-Y

Open End Closure		
Shaft Size	Part Number	Description
3/4	128350	ECO-012-Y
20mm	128363	ECO-20M-Y
1	128351	ECO-100-Y
25mm	128364	ECO-25M-Y
1-3/16	128352	ECO-103-Y
1-1/4	128353	ECO-104S-Y
30mm	128365	ECO-30M-Y
1-1/4	128355	ECO-104-Y
1-7/16	128354	ECO-107-Y
35mm	128366	ECO-35M-Y
1-1/2	128356	ECO-108-Y
40mm	128367	ECO-40M-Y
1-11/16	128357	ECO-111-Y
45mm	128368	ECO-45M-Y
1-15/16	128358	ECO-115-Y
50mm	128369	ECO-50M-Y



D-LOK Ball Bearings

Open Cover D-LOK Dimensions

Series	Shaft Size	A	B	C	D	E
204	3/4	1-3/16	17/32	1-29/32	1-3/8	3/16
	20mm	30.2	13.5	48.4	35.1	4.9
205	1	1-1/4	17/32	2-11/64	1-39/64	3/16
	25mm	31.8	13.5	55.1	40.9	4.9
206	1-3/16	1-25/64	9/16	2-1/2	31/32	3/16
	1-1/4	30mm	35.3	14.2	63.5	50.0
207	1-1/4	1-17/32	11/16	2-29/32	2-5/16	3/16
	1-7/16	35mm	38.9	17.5	73.9	58.9
208	1-1/2	1-19/32	11/16	3-5/16	2-49/64	13/64
	40mm	40.6	17.5	84.1	70.1	5.1
209	1-11/16	1-21/32	23/32	3-1/2	2-7/8	13/64
	45mm	41.9	18.3	88.9	72.9	5.1
210	1-15/16	1-23/32	29/32	3-5/8	3	13/64
	50mm	43.7	23.1	91.4	76.2	5.1

Closed Cover D-LOK Dimensions

Series	A	B	C	D
204	1.13	17/32	1-29/32	1-3/8
	28.7	13.5	48.4	35.1
205	3/16	17/32	2-11/64	1-39/64
	30.2	13.5	55.1	40.9
206	1-21/64	9/16	2-1/2	31/32
	33.8	14.2	63.5	50.0
207	1-15/32	11/16	2-29/32	2-5/16
	37.3	17.5	73.9	58.9
208	1-35/64	11/16	3-5/16	2-49/64
	39.1	17.5	84.1	70.1
209	1-19/32	23/32	3-1/2	2-7/8
	40.4	18.3	88.9	72.9
210	1-21/32	29/32	3-5/8	3
	42.2	23.1	91.4	76.2
211	1-51/64	31/32	3-15/16	3-19/64
	45.5	24.6	100.1	83.6
212	1-29/32	1	4-3/8	3-21/32
	48.3	25.4	111.3	92.7

RELATED PRODUCTS

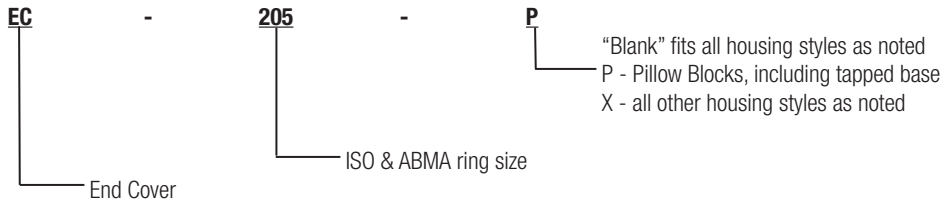


DODGE Ball Bearing End Covers*



- Fits all styles of DODGE cast iron housed ball bearings: Pillow Blocks, 2 and 4 Bolt Flanges, and Take-Up bearings
- Injected molded, impact resistant, OSHA safety yellow end covers meet requirements for exposed rotating shafts
- Stainless steel “C” Washer for gripping power
- No modification or machining of existing housings required
- Concentric knockout grooves on inside of end cover for thru-shaft
- DODGE six digit part number and description embossed inside
- Operating temperature to 250°F
- For non relubricable/sealed for life applications (-NL), part number 430020 hex head plug is available

Nomenclature



Series	Pillow Blocks Std, U, B	Tapped Base PB	2 Bolt Flange	Flanged Bracket	4 Bolt Flange	Piloted Flange (FC)	Narrow Slot Take-Up	Wide Slot Take-Up
203	X		X		X			
204	X	X	X	X	X		X	X
205	X	X	X	X	X		X	X
206	X	X	X	X	X	@	X	X
207	X	X	X	X	X	@	X	X
208	X	X	X		X	@	X	X
209	X	X	X		X	@	X	X
210	X	X	X	X	X	@	X	X
211	X	X	X		X	NA	X	X
212	X		X		X	NA	X	X
214	X				X	NA		X
215	X				X			X
216	X				X	X		X
218	X				X	X		

* = Will not fit LF, LFT, SCHB, HNCR & CLY

NA = Will not fit

@ = Some modification required

X = Will fit

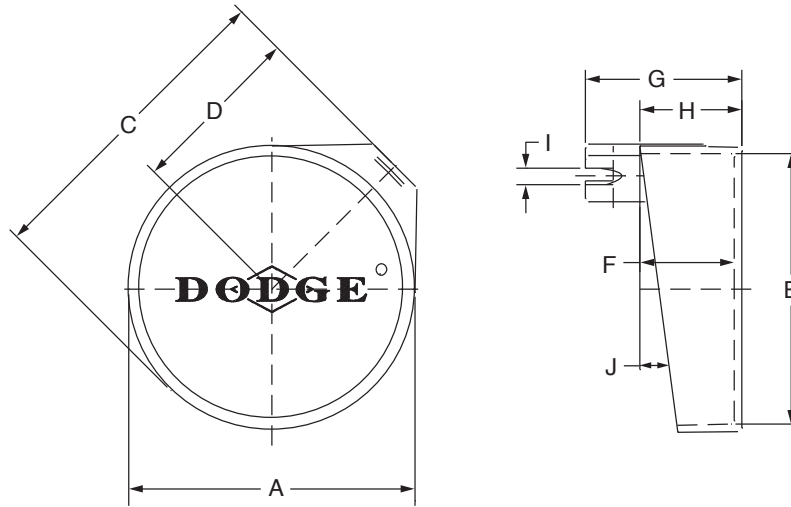
FEATURES/BENEFITS PAGE B6-3	HOW TO ORDER/NOMENCLATURE PAGE B6-5	SELECTION PAGE B6-6	SELECTION/DIMENSIONS PAGE B6-10
--------------------------------	--	------------------------	------------------------------------

RELATED PRODUCTS



D-LOK Ball Bearings

BALL BEARING END COVERS FOR PILLOW BLOCKS & TAPPED BASE UNITS



Series	Shaft Size*		Part Number	Description
	DL	DLM, DLH		
203	1/2 & 5/8 17mm	-----	128200	EC-203-P
204	1/2 - 3/4 20mm	-----	128202	EC-204-P
205	7/8 - 1 25mm	-----	128204	EC-205-P
206	1-1/16 - 1-1/4 30mm	----- 25mm	128206	EC-206-P
207	1-1/4 - 1-7/16 35mm	1-3/16 & 1-1/4 30mm	128208	EC-207-P
208	1-1/2 - 1-5/8 40mm	1-7/16 35mm	128210	EC-208-P
209	1-5/8 - 1-3/4 45mm	1-1/2 40mm	128212	EC-209-P
210	1-15/16 & 2 50mm	1-11/16 & 1-3/4 45mm	128214	EC-210-P
211	2 - 2-1/4 55mm	1-15/16 & 2 50mm	128216	EC-211-P
212	2-1/4 - 2-7/16 60mm	2-3/16 - 2-1/4 55mm	128218	EC-212-P

* **NOTE:** DLH uses the next larger end cover. E.G. A P2B-DLH-103 would use a EC-207-P

FEATURES/BENEFITS PAGE B6-3	HOW TO ORDER/NOMENCLATURE PAGE B6-5	SELECTION PAGE B6-6	SELECTION/DIMENSIONS PAGE B6-10
--------------------------------	--	------------------------	------------------------------------

RELATED PRODUCTS



D-LOK Ball Bearings BALL BEARING END COVERS FOR PILLOW BLOCKS & TAPPED BASE UNITS

Bearing Reference Guide

ULTRA KLEEN

E-Z KLEEN

Extreme Duty

Setscrew Ball Bearing

GRIP TIGHT

D-LOK Ball Bearing

Series	Shaft Size		Weight lbs gm	A	C	D	E	F	G	H	I	J
	DL	DLM, DLH										
203	1/2 & 5/8 17mm	-----	.02 9	1-25/32 45.2	2-7/64 53.6	1-3/32 27.7	1-41/64 41.7	49/64 19.6	1-29/64 37.1	29/32 22.9	1/4 6.4	9
204	1/2 - 3/4 20mm	-----	.03 14	2-3/64 52.0	2-37/64 65.3	1-19/64 33.0	1-55/64 47.2	1-1/64 25.7	1-49/64 45.0	1-5/32 29.5	5/16 7.9	11
205	7/8 - 1 25mm	-----	.05 23	2-3/8 60.2	2-13/16 71.4	1-3/16 35.0	2-5/32 54.9	1-1/16 26.9	1-7/8 47.8	1-7/32 31.0	11/32 8.6	9
206	1-1/16 - 1-1/4 30mm	----- 25mm	.07 34	2-47/64 69.3	3-21/64 84.3	1-45/64 43.2	2-1/2 63.5	1-15/64 31.5	2-5/32 54.9	1-13/32 35.6	23/64 8.9	9
207	1-1/4 - 1-7/16 35mm	1-3/16 & 1-1/4 30mm	.11 48	3-1/4 82.6	3-51/64 96.3	1-29/32 48.5	3-1/64 76.7	1-5/16 33.3	2-11/32 59.4	1-31/64 37.6	3/8 9.4	7 30
208	1-1/2 - 1-5/8 40mm	1-7/16 35mm	.13 61	3-3/8 85.9	4.0 101.6	2-1/16 52.3	3-7/64 79.0	1-19/64 33.0	2-13/32 61.0	1-1/2 38.1	27/64 10.7	6
209	1-5/8 - 1-3/4 45mm	1-1/2 40mm	.15 69	3-11/16 93.7	4-17/64 108.2	2-11/64 55.1	3-13/32 86.6	1-21/64 33.8	2-21/64 59.2	1-17/32 38.9	25/64 9.9	7
210	1-15/16 & 2 50mm	1-11/16 & 1-3/4 45mm	.17 78	3-7/8 98.6	4-1/2 114.3	2-19/32 59.2	3-37/64 90.9	1-23/64 34.3	2-1/2 63.5	1-9/16 39.6	31/64 12.5	9
211	2 - 2-1/4 55mm	1-15/16 & 2 50mm	.22 102	4-27/64 112.3	5-1/16 128.5	2-19/32 66.0	4-1/8 104.7	1-13/32 35.8	2-37/64 65.3	1-5/8 41.2	29/64 11.4	7
212	2-1/4 - 2-7/16 60mm	2-3/16 - 2-1/4 55mm	.26 118	4-59/64 125.0	5-29/64 138.7	2-3/4 69.9	4-39/64 117.1	1-17/32 38.9	2-11/16 68.3	1-3/4 44.5	13/32 10.4	8

For no re-lube (-NL) applications, part number 430020, hex head plug is available

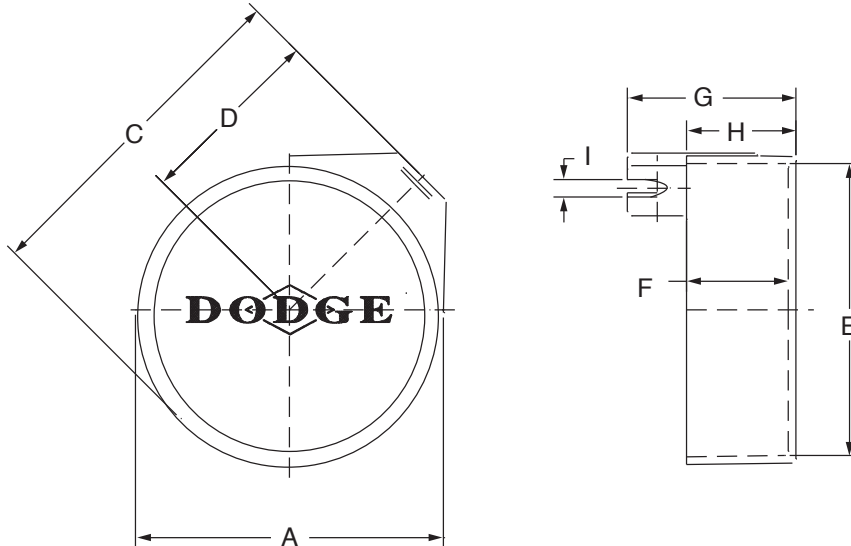
FEATURES/BENEFITS PAGE B6-3	HOW TO ORDER/NOMENCLATURE PAGE B6-5	SELECTION PAGE B6-6	SELECTION/DIMENSIONS PAGE B6-10
--------------------------------	--	------------------------	------------------------------------

RELATED PRODUCTS



D-LOK Ball Bearings

BALL BEARING END COVERS FOR MOUNTED UNITS OTHER THAN PILLOW BLOCKS & TAPPED BASE UNITS



Series	Shaft Size*		Part Number	Description
	DL	DLM, DLH		
203	1/2 & 5/8 17mm	-----	128201	EC-203-X
204	1/2 - 3/4 20mm	-----	128203	EC-204-X
205	7/8 - 1 25mm	-----	128205	EC-205-X
206	1-1/16 - 1-1/4 30mm	----- 25mm	128207	EC-206-X
207	1-1/4 - 1-7/16 35mm	1-3/16 & 1-1/4 30mm	128209	EC-207-X
208	1-1/2 - 1-5/8 40mm	1-7/16 35mm	128211	EC-208-X
209	1-5/8 - 1-3/4 45mm	1-1/2 40mm	128213	EC-209-X
210	1-15/16 & 2 50mm	1-11/16 & 1-3/4 45mm	128215	EC-210-X
211	2 - 2-1/4 55mm	1-15/16 & 2 50mm	128217	EC-211-X
212	2-1/4 - 2-7/16 60mm	2-3/16 - 2-1/4 55mm	128219	EC-212-X

* NOTE: Above end covers will not fit the LF and LFT bearings

FEATURES/BENEFITS PAGE B6-3	HOW TO ORDER/NOMENCLATURE PAGE B6-5	SELECTION PAGE B6-6	SELECTION/DIMENSIONS PAGE B6-10
--------------------------------	--	------------------------	------------------------------------

RELATED PRODUCTS



D-LOK Ball Bearings

BALL BEARING END COVERS FOR MOUNTED UNITS OTHER THAN PILLOW BLOCKS & TAPPED BASE UNITS

Bearing Reference Guide

ULTRA KLEEN

E-Z KLEEN

Extreme Duty

Setscrew Ball Bearing

GRIP TIGHT

D-LOK Ball Bearing

Series	Shaft Size		Weight <i>lbs</i> <i>gm</i>	A	C	D	E	F	G	H	I
	DL	DLM, DLH									
203	1/2 & 5/8 17mm	-----	0.02 10	1-51/64 45.5	2-13/64 56.1	1-3/16 30.2	1-41/64 41.7	51/64 20.3	1-29/64 37.1	15/16 23.9	1/4 6.4
204	1/2 - 3/4 20mm	-----	0.03 15	2-7/32 56.1	2-47/64 69.6	1-25/64 35.3	2-1/32 51.6	1-1/64 25.7	1-13/16 45.7	1-5/32 29.5	5/16 7.9
205	7/8 - 1 25mm	-----	0.05 24	2-3/8 60.2	3-3/64 77.2	1-19/32 40.6	2-5/32 54.9	1-1/64 25.7	1-53/64 46.5	1-11/64 29.7	11/32 8.7
206	1-1/16 - 1-1/4 30mm	----- 25mm	0.08 36	2-47/64 69.3	3-21/64 84.3	1-45/64 43.2	2-1/2 63.5	1-3/16 30.2	2-1/16 52.3	1-23/64 34.5	23/64 8.9
207	1-1/4 - 1-7/16 35mm	1-3/16 & 1-1/4 30mm	0.12 53	3-1/4 82.6	3-27/32 97.5	1-31/32 50.0	3-1/64 76.7	1-11/32 34.5	2-11/32 59.4	1-17/32 38.9	3/8 9.4
208	1-1/2 - 1-5/8 40mm	1-7/16 35mm	0.14 64	3-3/8 85.9	4.0 101.6	2-1/16 52.3	3-7/64 79.0	1-19/64 33.0	2-13/32 61.0	1-1/2 38.1	27/64 10.7
209	1-5/8 - 1-3/4 45mm	1-1/2 40mm	0.16 73	3-11/16 93.7	4-17/64 108.2	2-11/64 55.1	3-13/32 86.6	1-23/64 34.3	2-21/64 59.2	1-17/32 38.9	25/64 9.9
210	1-15/16 & 2 50mm	1-11/16 & 1-3/4 45mm	0.18 82	3-7/8 98.6	4-1/2 114.3	2-21/64 59.2	3-9/16 90.9	1-23/64 34.3	2-33/64 63.8	1-9/16 39.6	31/64 12.4
211	2 - 2-1/4 55mm	1-15/16 & 2 50mm	0.24 108	4-27/64 112.3	5-1/16 128.5	2-19/32 66.0	4-1/8 104.7	1-29/64 36.8	2-37/64 65.3	1-21/32 42.2	29/64 11.4
212	2-1/4 - 2-7/16 60mm	2-3/16 - 2-1/4 55mm	0.27 124	4-59/64 125.0	5-15/32 138.7	2-3/4 69.9	4-39/64 117.1	1-35/64 39.1	2-11/16 68.3	1-3/4 44.5	13/32 10.4

For no re-lube (_NL) applications, part number 430020, hex head plug is available

FEATURES/BENEFITS PAGE B6-3	HOW TO ORDER/NOMENCLATURE PAGE B6-5	SELECTION PAGE B6-6	SELECTION/DIMENSIONS PAGE B6-10
--------------------------------	--	------------------------	------------------------------------



RELATED PRODUCTS

D-LOK Ball Bearings BALL BEARING END COVERS FOR MOUNTED UNITS 214 SERIES & LARGER

Series	Shaft Size		Part Number	Description
	DL, DLH	DLM		
214	2-1/2 & 2-11/16 70mm	2-7/16 & 2-1/2 65mm	128220	EC-214
215	2-15/16 75mm	2-11/16 70mm	128221	EC-215
216	-----	2-15/16 & 3 75mm	128222	EC-216
218	-----	3-7/16 & 3-1/2 85mm	128223	EC-218

Series	Shaft Size		Weight lbs gm	A	B	C	D	E	F
	DL, DLH	DLM							
214	2-1/2 & 2-11/16 70mm	2-7/16 & 2-1/2 65mm	0.33 151	4-15/16 125.5	4-7/16 112.8	2-39/64 66.3	4-39/64 117.1	4.741/4.737 120.4/120.3	2-53/64 71.9
215	2-15/16 75mm	2-11/16 70mm	0.36 154	5-3/32 129.3	4-49/64 120.9	2-29/64 62.5	4-3/4 120.7	4.944/4.940 125.6/125.5	2-7/8 72.9
216	-----	2-15/16 & 3 75mm	0.44 201	5-9/16 141.2	5-15/64 132.8	2-47/64 69.6	5-13/64 132.1	5.350/5.346 135.9/135.8	2-63/64 75.7
218	-----	3-7/16 & 3-1/2 85mm	0.57 257	6-5/16 130.3	5-29/32 149.9	2-27/32 72.1	5-15/16 150.6	6.100/6.096 154.9/154.8	3-3/32 78.5

FEATURES/BENEFITS PAGE B6-3	HOW TO ORDER/NOMENCLATURE PAGE B6-5	SELECTION PAGE B6-6	SELECTION/DIMENSIONS PAGE B6-10
--------------------------------	--	------------------------	------------------------------------