



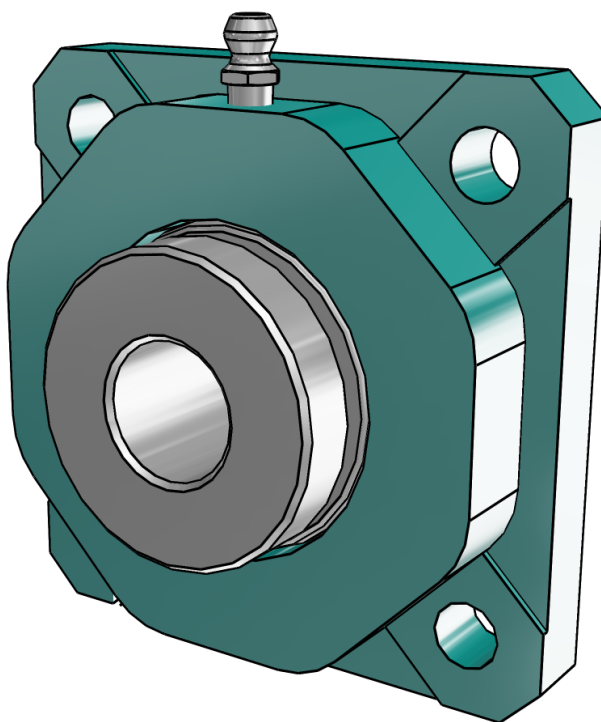
128775

DL Normal Duty 4-Bolt Flange Bearings

BALDOR • DODGE

3D View

To activate the interactive 3D view, you must trust this document (see hint on the top) in Adobe Acrobat and click on the question mark.


Zoom

Moves you toward or away from objects in the scene when you drag vertically. You can also zoom with the hand tool by holding down Shift as you drag.

Pan

Moves the model vertically and horizontally only. You can also pan with the hand tool: Ctrl-drag.

Rotate

Turns 3D objects around relative to the screen. How the objects move depends on the starting view, where you start dragging and the direction in which you drag.

3D PDF DATASHEET



eCATALOGsolutions



BIM catalogs.net



PARTsolutions



Create Your Individual 3D PDF Datasheet



Learn How to Create Your Mechanical Product Catalog



Learn How to Create Your BIM Product Catalog



Reduce Your Costs in Engineering and Purchasing

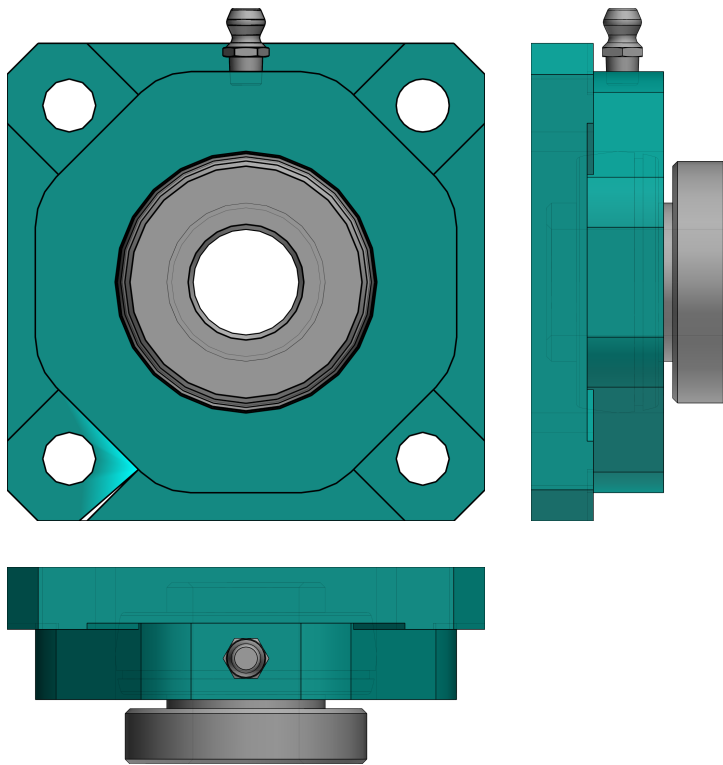


128775

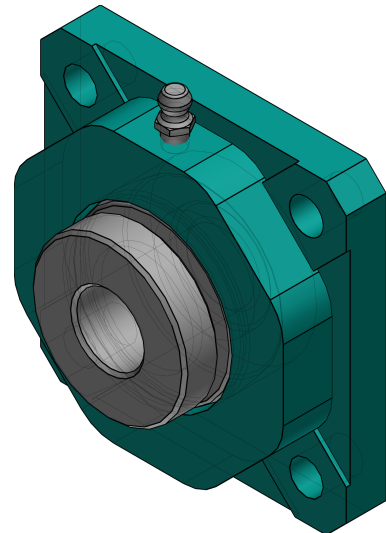
DL Normal Duty 4-Bolt Flange Bearings



2D Derivation



ISO View





Create Your Individual 3D PDF Datasheet



Learn How to Create Your Mechanical Product Catalog



Learn How to Create Your BIM Product Catalog

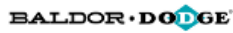


Reduce Your Costs in Engineering and Purchasing

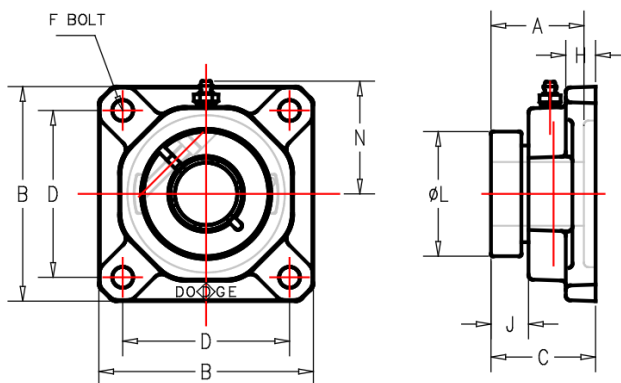


128775

DL Normal Duty 4-Bolt Flange Bearings



Technical Drawings



NOTES:

GREASE USED:
EXXON UNIREX N2

SEAL TYPE:
DUAL GUARD LIP SEAL
W/ RUBBERIZED FLINGER

3D PDF DATASHEET



 eCATALOG solutions



 BIM catalogs.net



 PART solutions



Create Your Individual 3D PDF Datasheet 

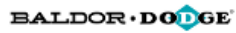
Learn How to Create Your Mechanical Product Catalog 

Learn How to Create Your BIM Product Catalog 

Reduce Your Costs in Engineering and Purchasing 

128775

DL Normal Duty 4-Bolt Flange Bearings



Technical Data

SERIES (Series)	204
SS (Shaft Size / INCH)	3/4
PN (Part Number)	128775
DESCRIPTION (Description)	F4B-DL-012
LF (Lubrication Feature)	RE-LUBE
W (Weight / lbs)	1.7
A (A / INCH)	1.28
B (B / INCH)	3.38
C (C / INCH)	1.39
D (D / INCH)	2.5
F (F / INCH)	3/8
H (H / INCH)	0.44
J (J / INCH)	0.41
L (L / INCH)	1.71
N (N / INCH)	1.94

3D PDF DATASHEET



 eCATALOG solutions



 BIM catalogs.net




 PART solutions



Create Your Individual 3D PDF Datasheet 

Learn How to Create Your Mechanical Product Catalog 

Learn How to Create Your BIM Product Catalog 

Reduce Your Costs in Engineering and Purchasing 

128775

DL Normal Duty 4-Bolt Flange Bearings



Bill of Materials

N°	Name	Description	Amount
1	assembly	128775	1
1.1	f4b_dl_flange_bodi	128775	1
1.2	dl_bearing_ins_i	128646	1
1.3	405020c	405020c	1